

IB Series

ISO B couplers made to the ISO 7241:2023 Series B Standard

Introduction

AKJia's IB Series ISO B couplers are the ideal choice where a tough, durable product of superior quality is required. They are perfectly suited to agricultural and industrial applications

Construction

- Carbon steel with trivalent plating
- Zinc Nickel Plating is option
- Fitted with Nitrile seals -NBR (Viton seals - FKM available)
- Also available in stainless steel (See IBS Series)
- Also available in brass (See IBB Series)

Features

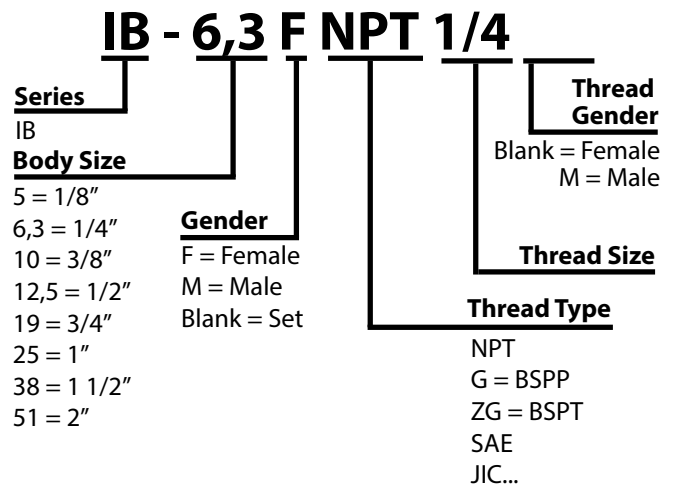
- Optional zinc nickel plating provides corrosion resistance (1200 hours with no red rust in salt spray tests)
- Poppet valves have balanced springs
- Locking ball system allows quick connection
- Bidirectional flow

Application

- Agricultural
- Mobile
- Construction
- General industrial



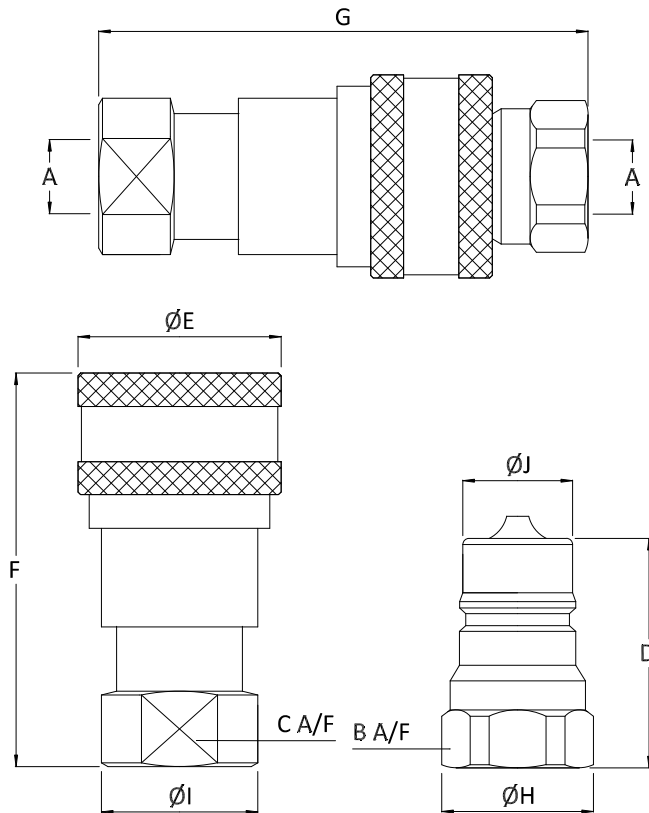
Product Number Naming Rules



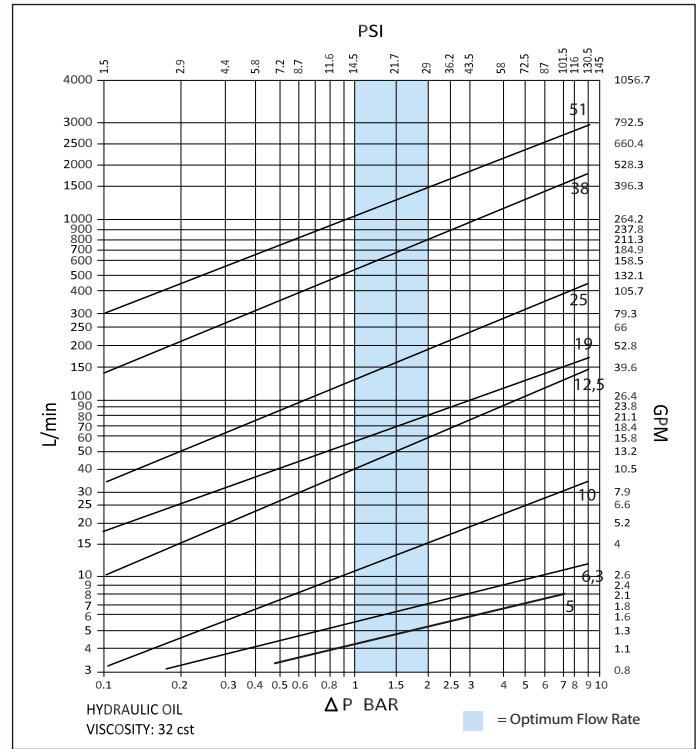
Specifications

Seal Material	Min. Temp		Max. Temp	
Nitrile seals*	-40°C	-40°F	106°C	223°F
FKM (Viton) seals	-20°C	-4°F	200°C	392°F

Drawing



Pressure Drop Characteristics



Size	Thread Size (A)	Dimensions in mm									Bar			
		B	C	D	ØE	F	G	ØH	ØI	ØJ	Maximum Working Pressure	Burst Pressure (coupled)	Burst Pressure (Male)	Burst Pressure (Female)
		Dimensions in inches									Psi			
IB-5	1/8"	14	17	29	24	48	58.5	15	19	11	500	2300	1900	1950
		0.6	0.7	1.1	0.9	1.9	2.3	0.6	0.7	0.4	7250	33350	27550	28275
IB-6,3	1/4"	19	19	36	28.5	58	72.5	21	22	14	400	1750	1700	1800
		0.7	0.7	1.4	1.1	2.3	2.9	0.8	0.9	0.6	5800	25375	24650	26100
IB-10	3/8"	24	24	40	35	65	80.5	26.5	27	19	350	1500	1500	1550
		0.9	0.9	1.6	1.4	2.6	3.2	1	1.1	0.7	5075	21750	21750	22475
IB-12,5	1/2"	28.5	28.5	46.5	44.5	74	94	31.5	33.5	23.5	300	1320	1350	1400
		1.1	1.1	1.8	1.8	2.9	3.7	1.2	1.3	0.9	4350	19140	19575	20300
IB-19	3/4"	36	36	56	54	92.5	113	39	39	31.5	300	1200	1300	1350
		1.4	1.4	2.2	2.1	3.6	4.4	1.5	1.5	1.2	4350	17400	18850	19575
IB-25	1"	41	41	63	63	103	127	44.5	48	38	280	1150	1060	1100
		1.6	1.6	2.5	2.5	4.1	5	1.8	1.9	1.5	4060	16675	15370	15950
IB-38	1 1/4"	65	65	126	75	126	198	70	70	44.5	170	700	750	800
		2.6	2.6	5	3	5	7.8	2.8	2.8	1.8	2465	10150	10875	11600
IB-38	1 1/2"	65	65	126	75	126	198	70	70	44.5	170	700	750	800
		2.6	2.6	5	3	5	7.8	2.8	2.8	1.8	2465	10150	10875	11600
IB-51	2"	90	90	124	105	124	222	97	97	63	100	500	600	700
		3.5	3.5	4.9	4.1	4.9	8.7	3.8	3.8	2.5	1450	7250	8700	10150