

MP Series

Multiplate couplers

Introduction

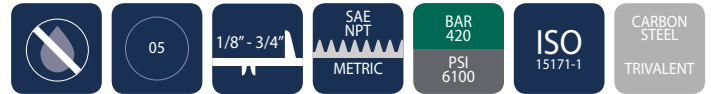
AKJia's MP Series multiplate couplers allow the simultaneous connection of multiple hydraulic lines. The MP Series inherits the benefits of AKJia's flat face coupler design. Currently available with 2, 4 or 6 port design.

Construction

- Couplers and handle- Carbon steel with zinc nickel plating (1200 hours with no red rust in salt spray tests)
- Body- Aluminium black anodized
- Button - Aluminium red anodized
- Fitted with Nitrile and polyurethane seals

Features

- Connect under pressure male couplers
- Couplers are circlip mounted and can be replaced or removed easily
- Flat faces are easily wiped clean
- Allows for minimal inclusion of air and contaminants during connection
- Flat face design prevents fluid loss during disconnection
- Electrical connections may be added upon request
- Various configurations for handle and button arrangement available upon request
- Bidirectional flow



Specifications

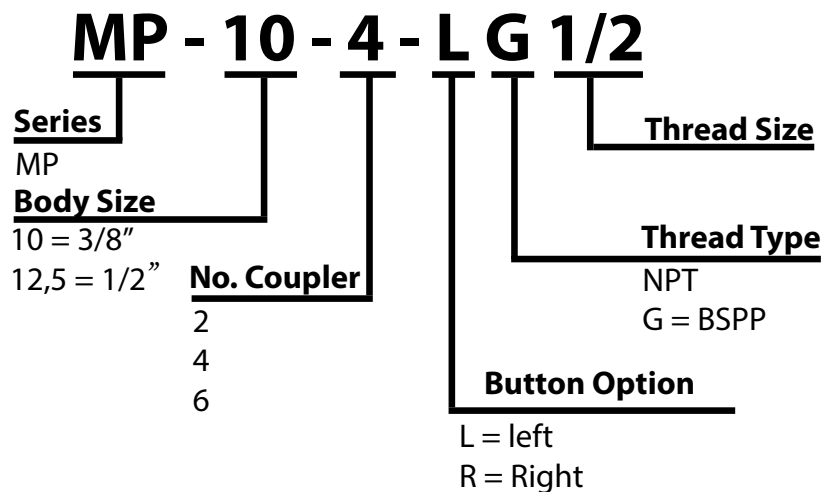
Seal Material	Min. Temp		Max. Temp	
Nitrile seals*	-40°C	-40°F	106°C	223°F

Application

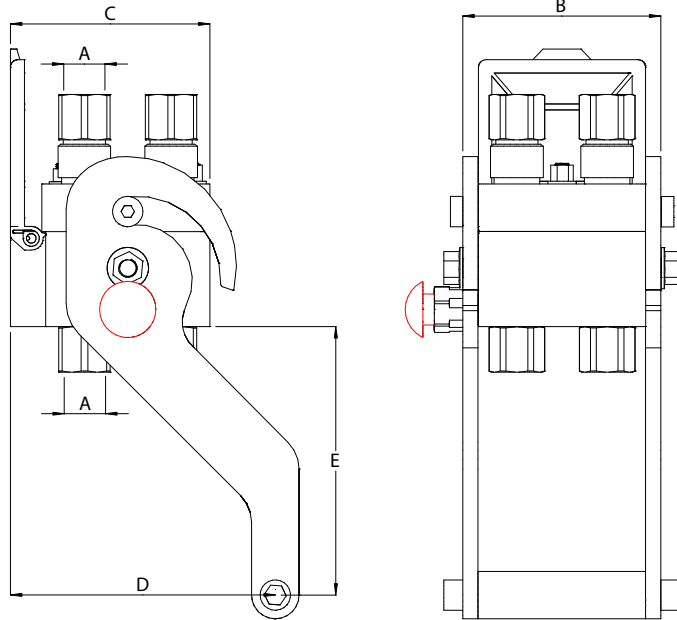
- Leak free environments
- Mobile construction equipment
- Tractors and other agricultural machinery
- General industrial



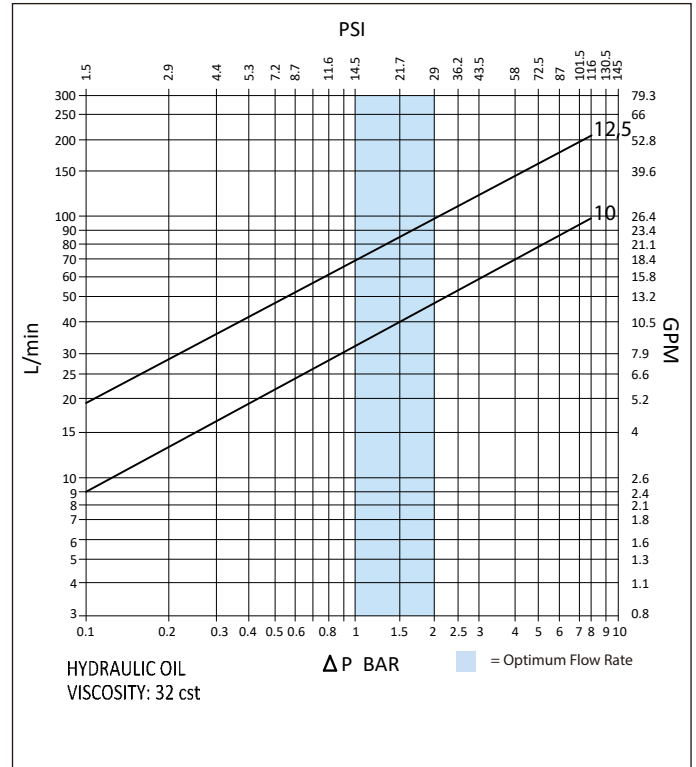
Product Number Naming Rules



Drawing



Pressure Drop Characteristics



Size	Thread Size (A)	B	C	D	E	Maximum Working Pressure	Burst Pressure (coupled)	Burst Pressure (Male)	Burst Pressure (Female)
Dimensions in mm						bar			
Dimensions in inches						psi			
MP-10-4	1/2"	104	105	139	141	350	1500	1050	1100
		4.1	4.1	5.5	5.6	5075	21750	15225	15950
MP-10-6	1/2"	142	105	139	141	350	1500	1050	1100
		5.6	4.1	5.5	5.6	5075	21750	15225	15950
MP-12,5-2	3/4"	106	105	144	143	350	1200	1000	1050
		4.2	4.1	5.7	5.6	5075	17400	14500	15225
MP-12,5-4	3/4"	117	105	144	143	350	1200	1000	1050
		4.6	4.1	5.7	5.6	5075	17400	14500	15225
MP-12,5-6	3/4"	161	105	144	143	350	1200	1000	1050
		6.4	4.1	5.7	5.6	5075	17400	14500	15225