

BTC Series

Bolt Tensioner Coupler High pressure poppet valve couplers

Introduction

AKJia's BTC Series high pressure poppet valve couplers are primarily used in bolt tensioners and other high pressure applications. The BTC 160 can withstand a higher maximum working pressure than the BTC 150.

Construction

- BTC 150- Carbon steel with grey zinc nickel plating (500 hours with no red rust in salt spray tests)
- BTC 160 - Carbon steel with black zinc nickel plating (500 hours with no red rust in salt spray tests)
- Available in size 6,3 body with 1/4" NPT or BSP threads
- Fitted with Nitrile seals - NBR

Features

- 1000 bar maximum working pressure (BTC 150), 1500 bar maximum working pressure (BTC 160)
- Poppet valve design
- Locking ball system allows quick connection
- Bidirectional flow

Application

- Bolt tensioners
- Hydraulic jacks
- Hydraulic hammers
- Other high pressure applications

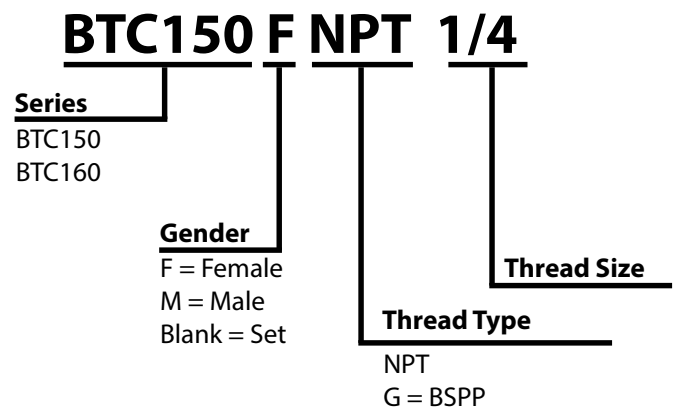


Specifications

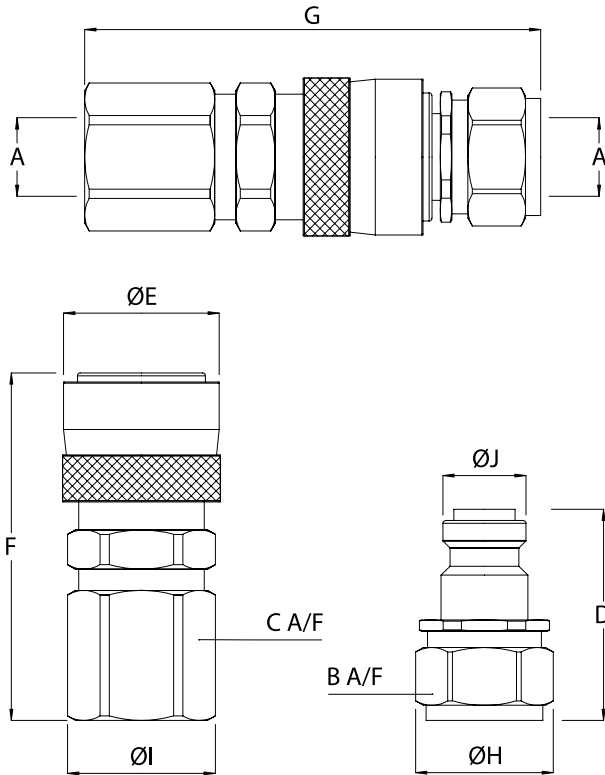
Seal Material	Min. Temp		Max. Temp	
Nitrile seals*	-40°C	-40°F	106°C	223°F



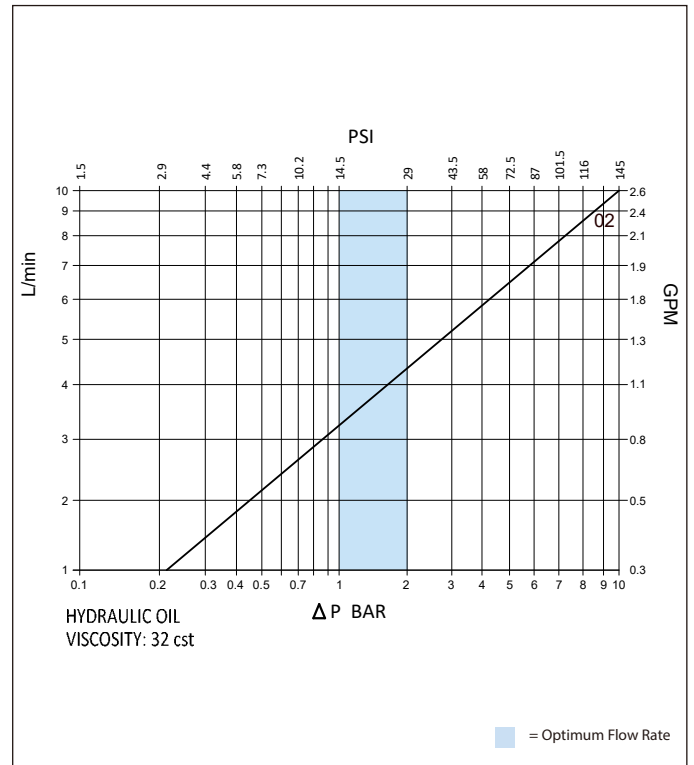
Product Number Naming Rules



Drawing



Pressure Drop Characteristics



Size	Thread Size (A)	B	C	D	ØE	F	G	ØH	ØI	ØJ	Maximum Working Pressure	Burst Pressure (coupled)	Burst Pressure (Male)	Burst Pressure (Female)
		Dimensions in mm									Bar			
		Dimensions in inches									Psi			
BTC 150	1/4"	21.8	23.8	38.1	27.8	61.5	81.4	24.7	26.4	14.8	1000	2500	2500	2400
		0.9	0.9	1.5	1.1	2.4	3.2	1	1	0.6	14500	36250	36250	34800
BTC 160	1/4"	21.8	23.8	38.1	27.8	61.5	81.4	24.7	26.4	14.8	1500	3000	3000	2900
		0.9	0.9	1.5	1.1	2.4	3.2	1	1	0.6	21750	43500	43500	42050