

FF90 Series

90 degree flat face couplers made to the ISO 16028 Standard

Introduction

AKJia's H90 Series is designed for use in applications that require a 90° elbow in the hydraulic circuit, such as digger booms. The right angle design allows for easy mounting without the need for additional fittings, reducing potential leakage paths and cost.

Construction

- Carbon steel with trivalent plating
- Option: Carbon steel with zinc nickel plating (500 hours with no red rust in salt spray tests)
- Fitted with Nitrile seals (NBR)

Features

- The FF90 Series is designed to connect with FF Series flat face couplers
- 90 degree elbow incorporated into the coupler
- Flat faces are easily wiped clean
- Allows for minimal inclusion of air and contaminants during connection
- Flat face design prevents fluid loss during disconnection
- Bidirectional flow
- 1/2" body size default, other size need to customized design.

Application

- Hammer circuits
- High pressure pulse applications
- Leak free environments
- Construction plant, mobile equipment, general industrial, nuclear, mining and agricultural industries



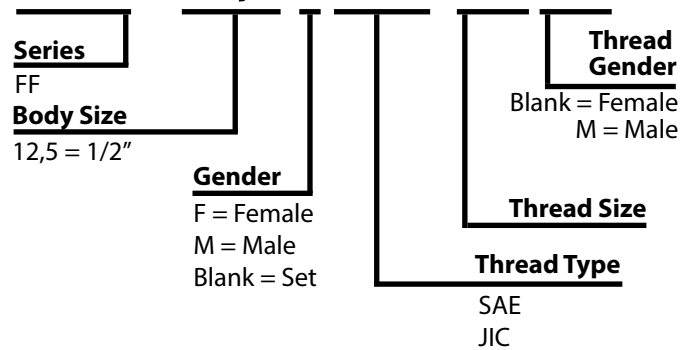
Specifications

Seal Material	Min. Temp		Max. Temp	
	-40°C	-40°F	106°C	223°F
Nitrile seals*				

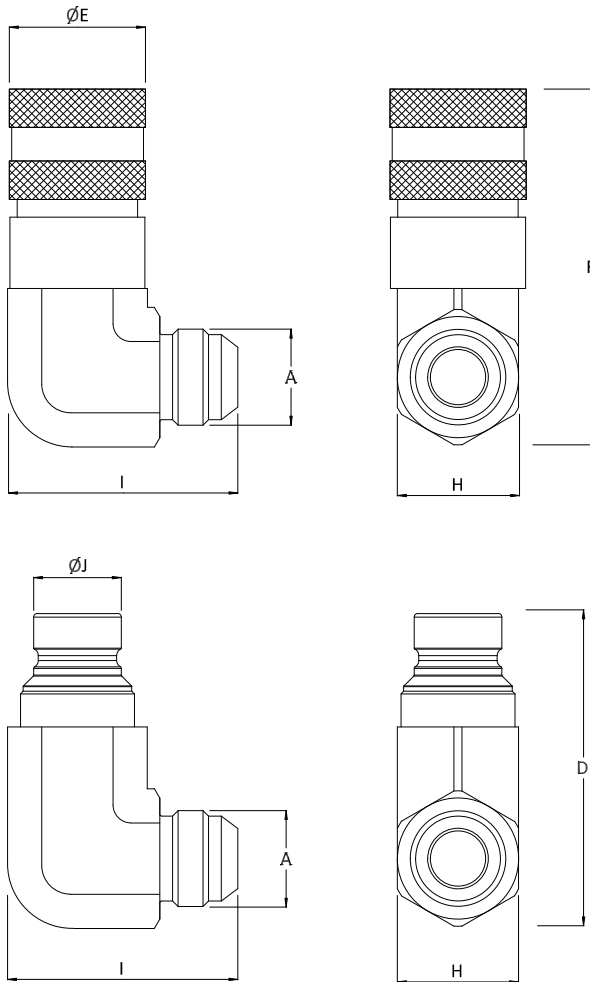


Product Number Naming Rules

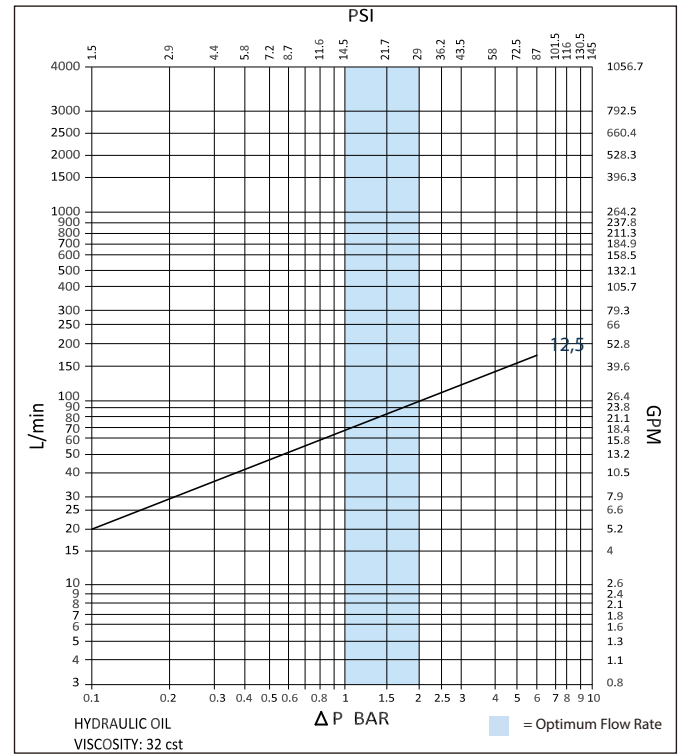
FF90 - 12,5 F NPT 1/4



Drawing



Pressure Drop Characteristics



Size	Thread Size A	D	ØE	F	H	I	ØJ	Maximum Working Pressure	Burst Pressure (Male)	Burst Pressure (Female)	
		Dimensions in mm						Bar			
		Dimensions in inches						Psi			
FF90-12,5	1/2" SAE	88	38	100.5	34	44	24.5	350	1050	1000	
		3.5	1.5	4	1.3	1.7	1	5075	15225	14500	
FF90-12,5	3/8" JIC	88	38	100.5	34	56	24.5	350	1050	1000	
		3.5	1.5	4	1.3	2.2	1	5075	15225	14500	
FF90-12,5	3/4" JIC	88	38	100.5	34	64	24.5	350	1050	1000	
		3.5	1.5	4	1.3	2.5	1	5075	15225	14500	