

IA Series

ISO A couplers made to the ISO 7241:2023 Series A Standard

Introduction

AKJia's IA Series ISO A couplers are the ideal choice where a tough, durable product of superior quality is required. They are perfectly suited to agricultural and industrial applications.

Construction

- Carbon steel with trivalent plating
- Zinc Nickel Plating is option
- Fitted with Nitrile seals (NBR) FKM option
- Also available in stainless steel (See IAS Series)

Features

- Optional zinc nickel plating provides corrosion resistance (1200 hours with no red rust in salt spray tests)
- Poppet valves have balanced springs
- Locking ball system allows quick connection
- Bidirectional flow

Application

- Agricultural
- Mobile
- Construction
- General industrial

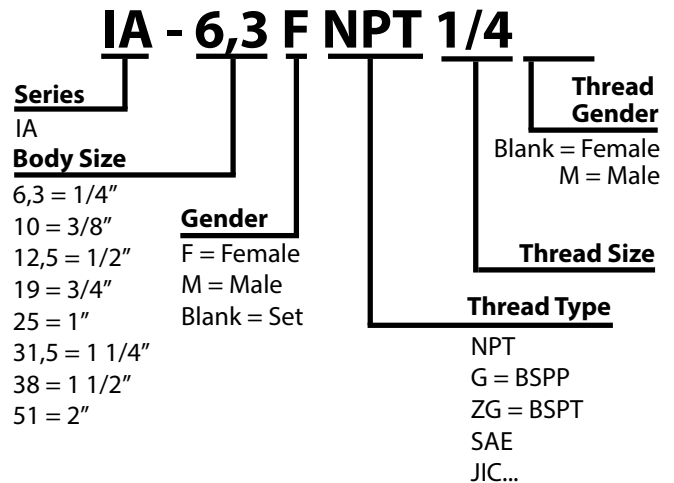


Specifications

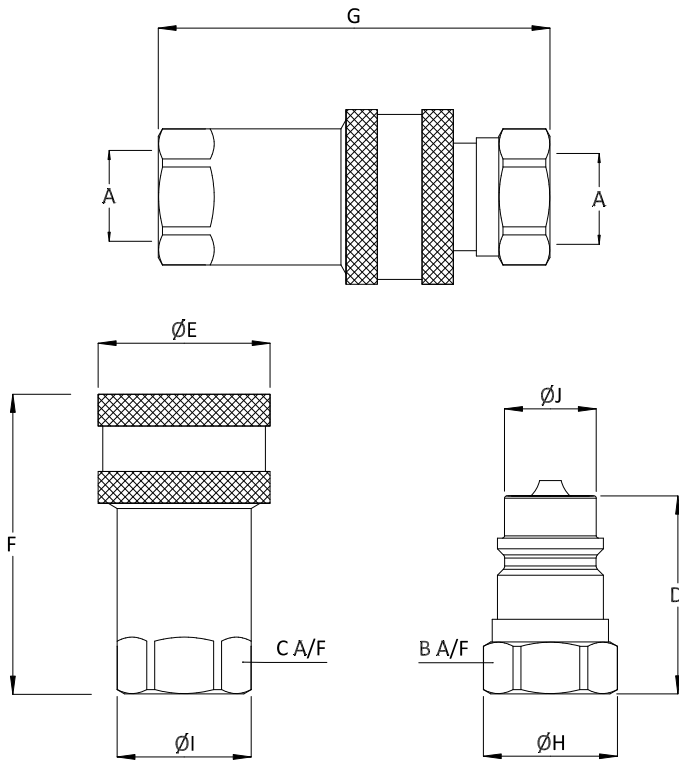
Seal Material	Min. Temp		Max. Temp	
	-40°C	-40°F	106°C	223°F
Nitrile seals*	-40°C	-40°F	106°C	223°F
FKM (Viton) seals	-20°C	-4°F	200°C	392°F



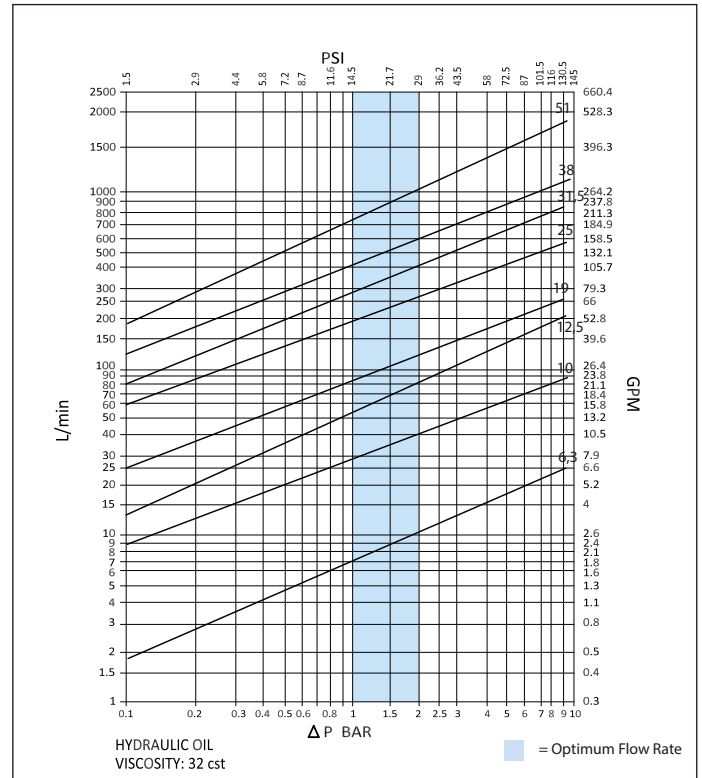
Product Number Naming Rules



Drawing



Pressure Drop Characteristics



Size	Thread Size (A)	B	C	D	ØE	F	G	ØH	ØI	ØJ	Maximum Working Pressure	Burst Pressure (coupled)	Burst Pressure (Male)	Burst Pressure (Female)
		Dimensions in mm									Bar			
		Dimensions in inches									Psi			
IA-6,3	1/4"	19	19	35.5	26	49.5	71	21	21	11.8	400	2200	1900	1800
		0.7	0.7	1.4	1	1.9	2.8	0.8	0.8	0.5	5800	31900	27550	26100
IA-10	3/8"	22	22	36.5	31.5	56	75	24	24	17.2	350	1800	1700	1600
		0.9	0.9	1.4	1.2	2.2	3	0.9	0.9	0.7	5075	26100	24650	23200
IA-12,5	1/2"	27	27	43.5	38.5	66	88	30	30	20.5	320	1500	1500	1400
		1.1	1.1	1.7	1.5	2.6	3.5	1.2	1.2	0.8	4640	21750	21750	20300
IA-19	3/4"	35	35	57	47	80	111	38	38	29	300	1300	1300	1200
		1.4	1.4	2.2	1.9	3.1	4.4	1.5	1.5	1.1	4350	18850	18850	17400
IA-25	1"	41	41	60	55.5	94	120	44.5	44.5	34.2	250	1200	1100	1000
		1.6	1.6	2.4	2.2	3.7	4.7	1.8	1.8	1.3	3625	17400	15950	14500
IA-31,5	1 1/4"	50	50	75	69	117	150	56	56	45	250	1200	1200	1150
		2	2	3	2.7	4.6	5.9	2.2	2.2	1.8	3625	17400	17400	16675
IA-38	1 1/2"	60	60	83.5	84	131	168.5	63	66	55	230	1000	1000	900
		2.4	2.4	3.3	3.3	5.2	6.6	2.5	2.6	2.2	3335	14500	14500	13050
IA-51	2"	75	75	105	99	165	211.5	83	83	65	170	800	800	750
		3	3	4.1	3.9	6.5	8.3	3.3	3.3	2.6	2465	11600	11600	10875