

# IAPP Series

## ISO A Push / Pull Quick Couplers (1/2" ISO A For Agricultural and forest equipment)

### Introduction

AKJia's IAPP Series ISO A couplers are designed primarily for the agricultural industries and incorporate a push-pull design. The coupler is panel mounted using circlip grooves in the locking sleeve. The Push Pull hydraulic coupling performs well on installing a hose to connect. They can connect under pressure.

### Construction

- Carbon steel with trivalent plating
- Zinc Nickel Plating is option
- Female half available in 'Push Pull' design
- Fitted with Nitrile seals

### Features

- Connects with up to 250 bar residual pressure
- Poppet valves have balanced springs
- Locking ball system allows quick connection
- Bidirectional flow

### Application

- Agricultural
- Mobile
- Construction
- General industrial



### Specifications

Seal Material	Min. Temp		Max. Temp	
Nitrile seals*	-40°C	-40°F	106°C	223°F

### Product Number Naming Rules

**IAPP - 12,5 F 8L M14x1.5 M**

**Series**  
IAPP

**Body Size**  
12,5 = 1/2"

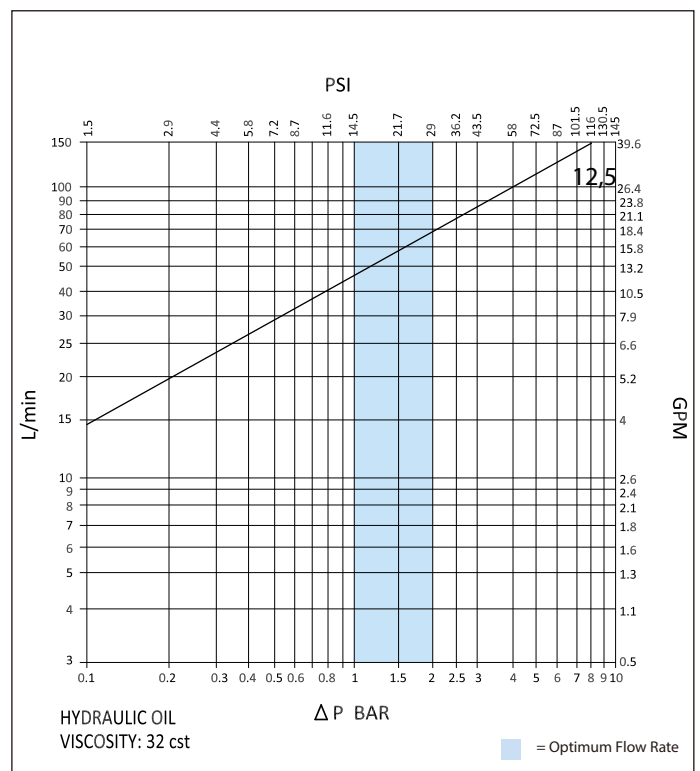
**Gender**  
F = Female  
M = Male

**Thread Gender**  
Blank = Female  
M = Male

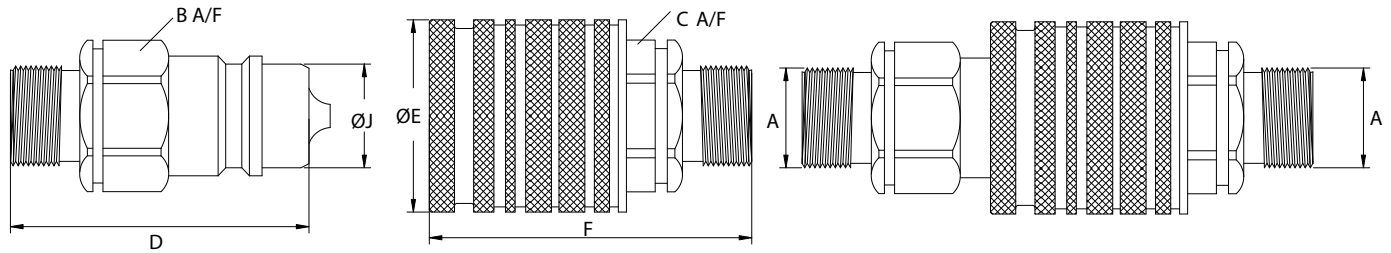
**Thread Type&Size**



### Pressure Drop Characteristics

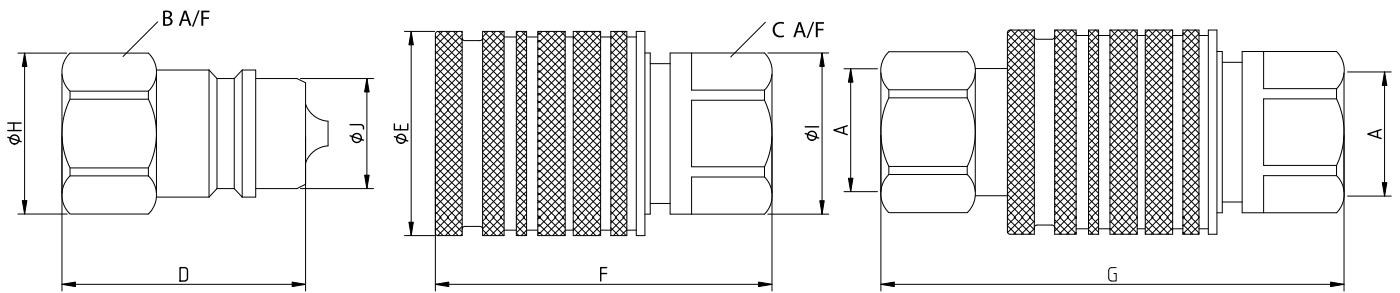


Drawing - ISO 8434-1 24° Cone Connector Thread



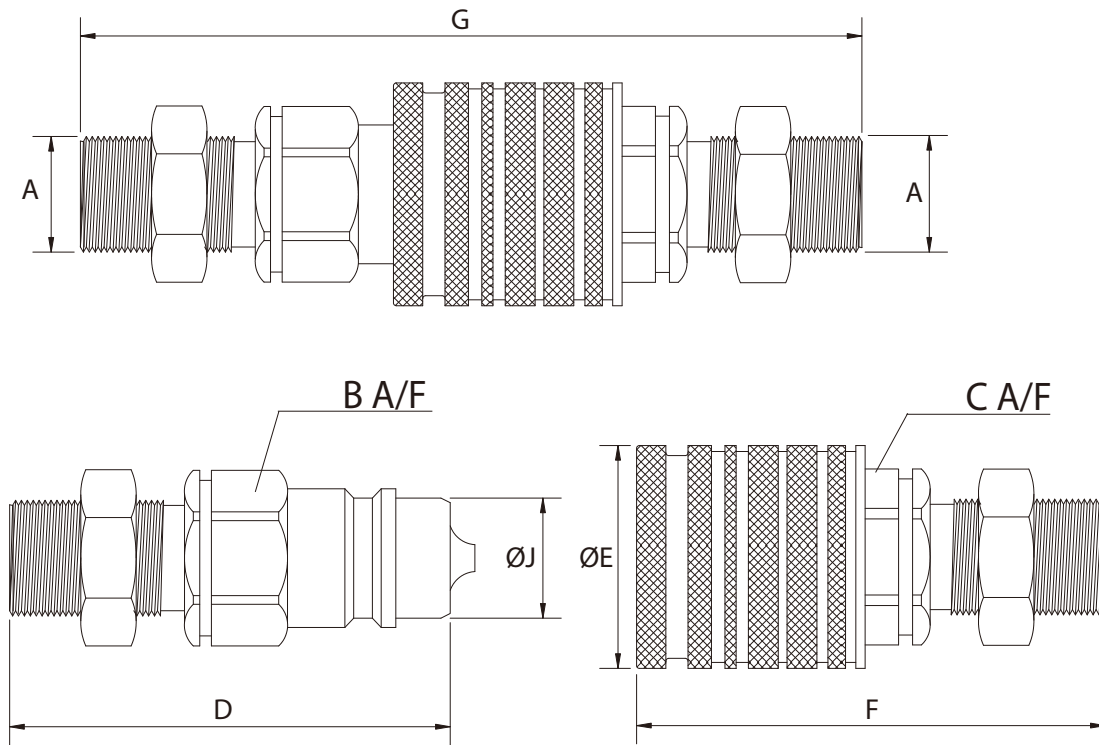
Size	Thread Size (A)	B	C	D	ØE	F	G	ØJ	Maximum Working Pressure	Burst Pressure (coupled)	Burst Pressure (Male)	Burst Pressure (Female)	
		Dimensions in mm							Bar				
		Dimensions in inches							Psi				
IAPP-12,5	08L M14x1.5	30	30	56	38	69	103.3	20.55	320	1500	1500	1400	
		1.2	1.2	2.2	1.5	2.7	4.1	0.8	4640	21750	21750	20300	
IAPP-12,5	10L M16x1.5 12L M18x1.5	30	30	57	38	70	105.3	20.55	320	1500	1500	1400	
		1.2	1.2	2.2	1.5	2.8	4.1	0.8	4640	21750	21750	20300	
IAPP-12,5	15L M22x1.5 18L M26x1.5	30	30	58	38	71	107.3	20.55	320	1500	1500	1400	
		1.2	1.2	2.3	1.5	2.8	4.2	0.8	4640	21750	21750	20300	
IAPP-12,5	10S M18x1.5 12S M20x1.5	30	30	58	38	71	107.3	20.55	320	1500	1500	1400	
		1.2	1.2	2.3	1.5	2.8	4.2	0.8	4640	21750	21750	20300	
IAPP-12,5	14S M22x1.5 16S M24x1.5	30	30	60	38	73	111.3	20.55	320	1500	1500	1400	
		1.2	1.2	2.4	1.5	2.9	4.4	0.8	4640	21750	21750	20300	
IAPP-12,5	20S M30x2	30	30	62	38	75	115.3	20.55	320	1500	1500	1400	
		1.2	1.2	2.4	1.5	3	4.5	0.8	4640	21750	21750	20300	

Drawing - Female Threads



Size	Thread Size (A)	B	C	D	ØE	F	G	ØH	ØI	ØJ	Maximum Working Pressure	Burst Pressure (coupled)	Burst Pressure (Male)	Burst Pressure (Female)
		Dimensions in mm									Bar			
		Dimensions in inches									Psi			
IAPP-12,5	1/2" BSP	30	30	56	38	69	103.3	33.5	33.5	20.55	320	1500	1500	1400
		1.2	1.2	2.2	1.5	2.7	4.1	1.3	1.3	0.8	4640	21750	21750	20300
IAPP-12,5	1/2" NPT	30	30	57	38	70	105.3	33.5	33.5	20.55	320	1500	1500	1400
		1.2	1.2	2.2	1.5	2.8	4.1	1.3	1.3	0.8	4640	21750	21750	20300
IAPP-12,5	3/4" BSP	30	30	57	38	70	105.3	33.5	33.5	20.55	320	1500	1500	1400
		1.2	1.2	2.2	1.5	2.8	4.1	1.3	1.3	0.8	4640	21750	21750	20300
IAPP-12,5	3/4" NPT	30	30	58	38	71	107.3	33.5	33.5	20.55	320	1500	1500	1400
		1.2	1.2	2.3	1.5	2.8	4.2	1.3	1.3	0.8	4640	21750	21750	20300
IAPP-12,5	M14x1.5	30	30	58	38	71	107.3	33.5	33.5	20.55	320	1500	1500	1400
		1.2	1.2	2.3	1.5	2.8	4.2	1.3	1.3	0.8	4640	21750	21750	20300
IAPP-12,5	M16x1.5	30	30	58	38	71	107.3	33.5	33.5	20.55	320	1500	1500	1400
		1.2	1.2	2.3	1.5	2.8	4.2	1.3	1.3	0.8	4640	21750	21750	20300
IAPP-12,5	M18x1.5	30	30	58	38	71	107.3	33.5	33.5	20.55	320	1500	1500	1400
		1.2	1.2	2.3	1.5	2.8	4.2	1.3	1.3	0.8	4640	21750	21750	20300
IAPP-12,5	M20x1.5	30	30	60	38	73	111.3	33.5	33.5	20.55	320	1500	1500	1400
		1.2	1.2	2.4	1.5	2.9	4.4	1.3	1.3	0.8	4640	21750	21750	20300

Drawing - ISO8434-1 Bulkhead Male thread



Size	Thread Size (A)	B	C	D	ØE	F	G	ØJ	Maximum Working Pressure	Burst Pressure (coupled)	Burst Pressure (Male)	Burst Pressure (Female)	
		Dimensions in mm							Bar				
		Dimensions in inches							Psi				
IAPP-12,5	08L BK M14x1.5	30	30	72	38	85	135.3	20.55	320	1500	1500	1400	
		1.2	1.2	2.8	1.5	3.3	6.1	0.8	4640	21750	21750	20300	
IAPP-12,5	10L BK M16x1.5	30	30	72	38	85	135.3	20.55	320	1500	1500	1400	
		1.2	1.2	2.8	1.5	3.3	6.1	0.8	4640	21750	21750	20300	
IAPP-12,5	12L BK M18x1.5	30	30	72	38	85	135.3	20.55	320	1500	1500	1400	
		1.2	1.2	2.8	1.5	3.3	6.1	0.8	4640	21750	21750	20300	
IAPP-12,5	15L BK M22x1.5	30	30	82	38	95	155.3	20.55	320	1500	1500	1400	
		1.2	1.2	3.2	1.5	3.7	6.1	0.8	4640	21750	21750	20300	
IAPP-12,5	18L BK M26x1.5	30	30	73	38	86	137.3	20.55	320	1500	1500	1400	
		1.2	1.2	2.8	1.5	3.4	5.4	0.8	4640	21750	21750	20300	
IAPP-12,5	10S BK M18x1.5	30	30	73	38	86	137.3	20.55	320	1500	1500	1400	
		1.2	1.2	2.8	1.5	3.4	5.4	0.8	4640	21750	21750	20300	
IAPP-12,5	12S BK M20x1.5	30	30	73	38	86	137.3	20.55	320	1500	1500	1400	
		1.2	1.2	2.8	1.5	3.4	5.4	0.8	4640	21750	21750	20300	
IAPP-12,5	14S BK M22x1.5	30	30	73	38	86	137.3	20.55	320	1500	1500	1400	
		1.2	1.2	2.8	1.5	3.4	5.4	0.8	4640	21750	21750	20300	
IAPP-12,5	16S BK M24x1.5	30	30	75	38	88	141.3	20.55	320	1500	1500	1400	
		1.2	1.2	2.9	1.5	3.5	5.6	0.8	4640	21750	21750	20300	
IAPP-12,5	20S BK M30x2	30	30	75	38	88	141.3	20.55	320	1500	1500	1400	
		1.2	1.2	2.9	1.5	3.5	5.6	0.8	4640	21750	21750	20300	