

# Nordic Series

Connect under pressure high flow couplings fitted with a safety locking sleeve

## Introduction

AKJia's "Nordic interchange" high flow safety couplings offer three important benefits; high flow, connection under pressure and a safety locking mechanism to prevent accidental disconnection.

## Construction

- Carbon steel with trivalent plating
- Fitted with Nitrile seals - NBR
- QPQ finished locking ring

## Features

- High flow rates
- Pressure eliminator allows connection with residual pressure in the hydraulic circuit
- Low pressure drop characteristics
- Safety locking ring to avoid accidental disconnection
- Female half has double 'O' ring sealing arrangement
- Bidirectional flow

## Application

- Mobile Plant
- General Industrial

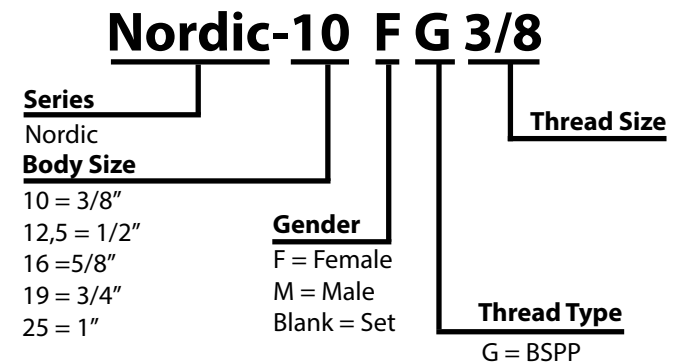


## Specifications

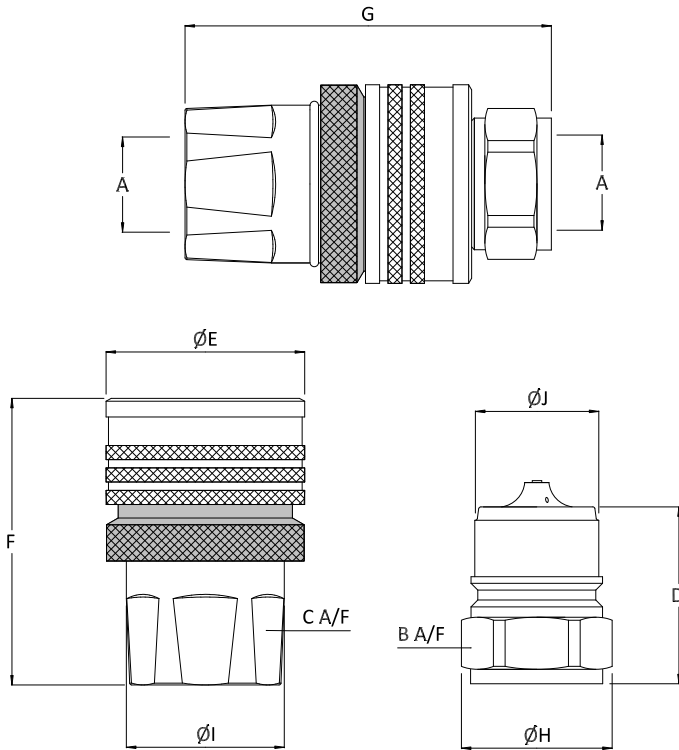
Seal Material	Min. Temp		Max. Temp	
	-40°C	-40°F	106°C	223°F
Nitrile seals*				



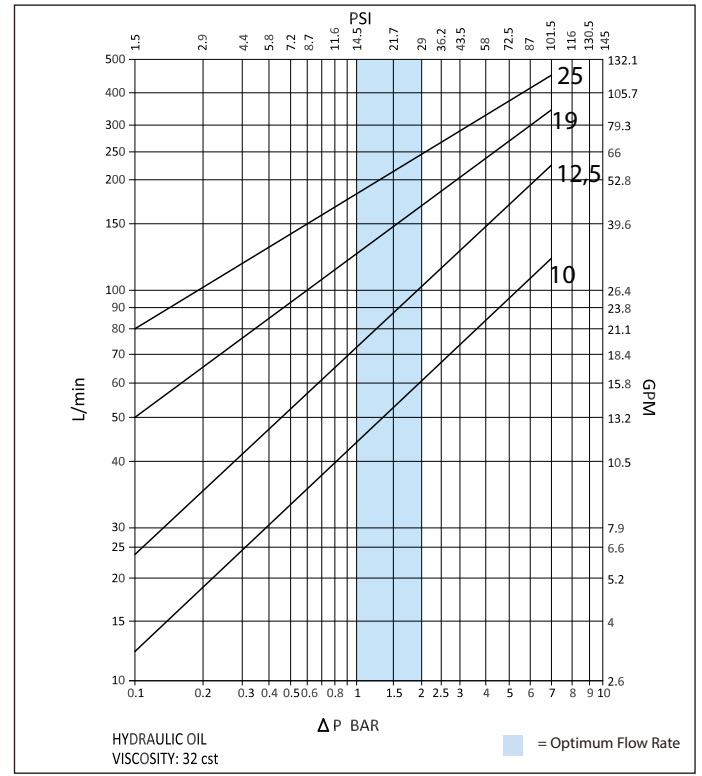
## Product Number Naming Rules



Drawing



Pressure Drop Characteristics



Size	Thread Size (A)	B	C	D	$\varnothing E$	F	G	$\varnothing H$	$\varnothing I$	$\varnothing J$	Maximum Working Pressure	Burst Pressure (coupled)	Burst Pressure (Male)	Burst Pressure (Female)
Dimensions in mm											Bar			
Dimensions in inches											Psi			
Nordic-10	3/8"	22	24	38	34	60	75	24	27.5	20	350	1500	1500	1450
		0.9	0.9	1.5	1.3	2.4	3	0.9	1.1	0.8	5075	21750	21750	21025
Nordic-12,5	1/2"	27	30	41.5	40	65.5	82.5	30	33	25	315	1300	1250	1200
		1.1	1.2	1.6	1.6	2.6	3.2	1.2	1.3	1	4567.5	18850	18125	17400
Nordic-19	3/4"	36	38	46.5	52	74.5	92.5	39	42	33	300	1250	1250	1200
		1.4	1.5	1.8	2	2.9	3.6	1.5	1.7	1.3	4350	18125	18125	17400
Nordic-25	1"	46	45	54.5	62	88.5	108	49.5	49.5	41	260	1100	1100	1000
		1.8	1.8	2.1	2.4	3.5	4.3	1.9	1.9	1.6	3770	15950	15950	14500