

WSC Series

Brass wing style screw connect couplers with steel nut

Introduction

AKJia's WSC Series brass screw connect couplers are designed to allow connection and disconnection by hand. The brass construction makes them the idea choice for water based applications.

Construction

- Brass body
- Wing nut carbon steel with trivalent plating
- Fitted with Nitrile seals

Features

- Screw connect design eliminates brinelling
- Wing nut sleeve design allows connection by hand
- Can be connected with up to 50 bar residual pressure in the hydraulic circuit
- Bidirectional flow

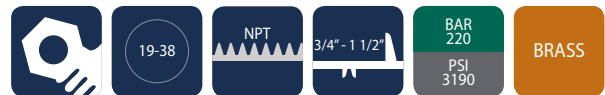
Application

- Trailers
- Wet line kits
- Oil and gas

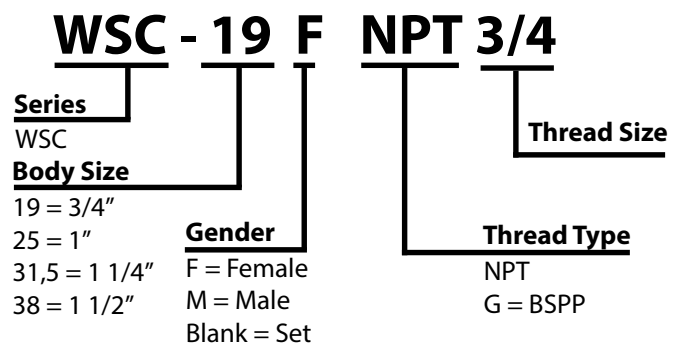


Specifications

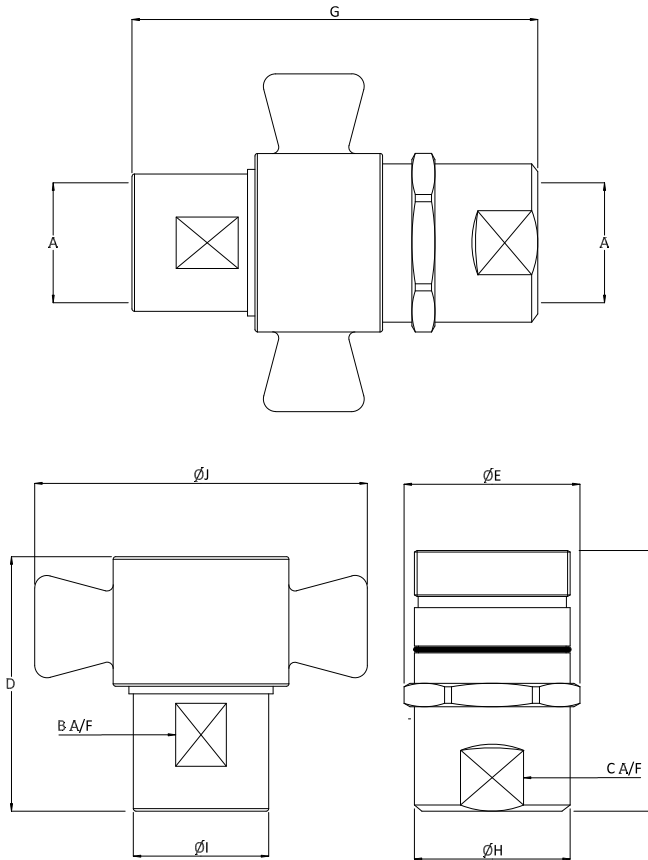
Seal Material	Min. Temp		Max. Temp	
	-40°C	-40°F	106°C	223°F
Nitrile seals*				



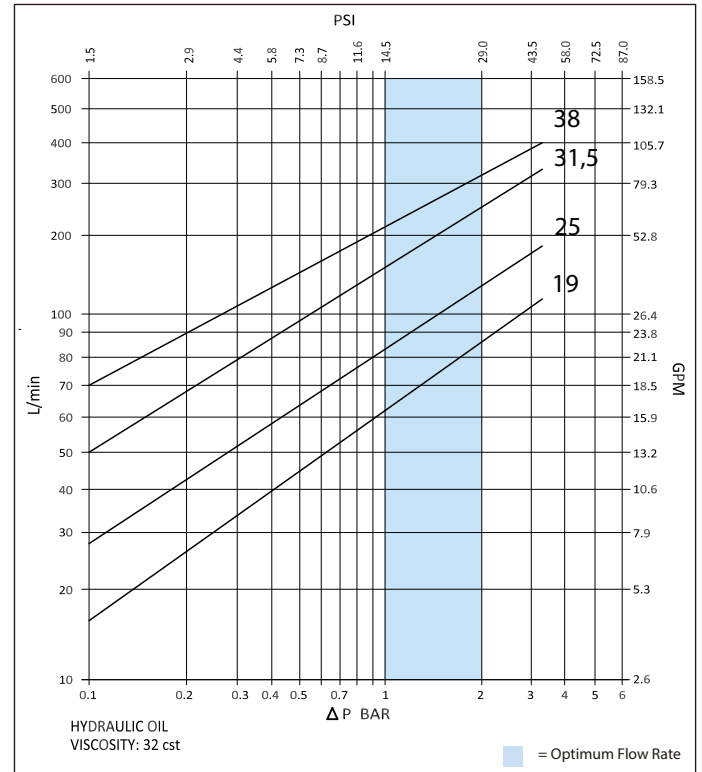
Product Number Naming Rules



Drawing



Pressure Drop Characteristics



Size	Thread Size (A)	B	C	D	ØE	F	G	ØH	ØI	ØJ	Maximum Working Pressure	Burst Pressure (coupled)	Burst Pressure (Male)	Burst Pressure (Female)
Dimensions in mm											Bar			
Dimensions in inches											Psi			
WSC-19	3/4"	29	33.3	80.3	44	79.1	133.5	37.5	31.7	103.9	210	650	650	600
		1.1	1.3	3.2	1.7	3.1	5.3	1.5	1.2	4.1	3045	9425	9425	8700
WSC-25	1"	36.3	39.6	95.3	51.7	89.5	154.3	44.2	39.8	110.6	210	650	650	600
		1.4	1.6	3.8	2	3.5	6.1	1.7	1.6	4.4	3045	9425	9425	8700
WSC-31,5	1 1/4"	45	47.6	99	60.2	93.5	163.6	53	48	134	190	650	650	600
		1.8	1.9	3.9	2.4	3.7	6.4	2.1	1.9	5.3	2755	9425	9425	8700
WSC-38	1 1/2"	51	57	101.4	71.6	104.4	178	62.7	55	134.8	175	525	525	475
		2	2.2	4	2.8	4.1	7	2.5	2.2	5.3	2538	7613	7613	6888