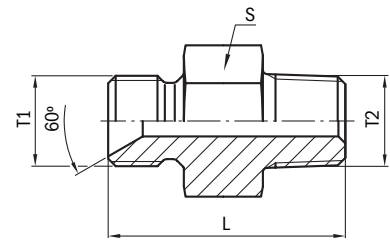


## BSP ADAPTORS

### BSP MBSPP-MBSPT

BSP 60° male /male BSP taper

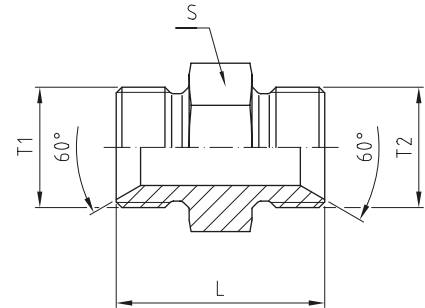






THREAD		LENGTH	HEX/FLATS	WORKING PRESSURE	ADAPTOR
T1	T2	L	S	WP	REF.
BSP	BSPT	mm	mm	bar	BSP
1/8"-28	1/8"-28	24.0	12.0	345	2MBSPP-2MBSPT
1/8"-28	1/4"-19	30.5	14.0	345	2MBSPP-4MBSPT
1/4"-19	1/8"-28	29.0	14.0	345	4MBSPP-2MBSPT
1/4"-19	1/4"-19	33.0	14.0	345	4MBSPP-4MBSPT
1/4"-19	3/8"-19	33.0	17.0	345	4MBSPP-6MBSPT
1/4"-19	1/2"-14	39.0	22.0	345	4MBSPP-8MBSPT
3/8"-19	1/4"-19	35.0	17.0	345	6MBSPP-4MBSPT
3/8"-19	3/8"-19	35.0	17.0	345	6MBSPP-6MBSPT
3/8"-19	1/2"-14	39.0	22.0	345	6MBSPP-8MBSPT
3/8"-19	3/4"-14	41.0	27.0	275	6MBSPP-12MBSPT
1/2"-14	1/4"-19	37.0	22.0	315	8MBSPP-4MBSPT
1/2"-14	3/8"-19	40.0	22.0	315	8MBSPP-6MBSPT
1/2"-14	1/2"-14	44.0	22.0	315	8MBSPP-8MBSPT
1/2"-14	3/4"-14	44.0	27.0	275	8MBSPP-12MBSPT
3/4"-14	1/2"-14	45.0	27.0	250	12MBSPP-8MBSPT
3/4"-14	3/4"-14	46.0	27.0	250	12MBSPP-12MBSPT
3/4"-14	1"-11	51.0	36.0	205	12MBSPP-16MBSPT
3/4"-1/4	1 1/4"-11	56.0	46.0	170	12MBSPP-20MBSPT
1"-11	3/4"-14	53.0	36.0	200	16MBSPP-12MBSPT
1"-11	1"-11	56.0	36.0	200	16MBSPP-16MBSPT
1"-11	1 1/4"-11	58.0	46.0	170	16MBSPP-20MBSPT
1 1/4"-11	3/4"-14	56.0	50.0	160	20MBSPP-12MBSPT
1 1/4"-11	1"-11	60.0	50.0	160	20MBSPP-16MBSPT
1 1/4"-11	1 1/4"-11	57.0	46.0	160	20MBSPP-20MBSPT
1 1/4"-11	1 1/2"-11	62.0	50.0	105	20MBSPP-24MBSPT
1 1/2"-11	1 1/4"-11	63.0	55.0	125	24MBSPP-20MBSPT
1 1/2"-11	1 1/2"-11	62.0	50.0	105	24MBSPP-24MBSPT
2"-11	2"-11	70.0	65.0	105	32MBSPP-32MBSPT

## BSP ADAPTORS

### BSP MBSPP-MBSPP EQUAL

BSP 60° Male / Male equal

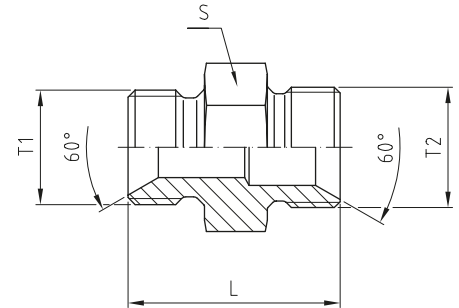






				
REF.	T1	T2	L	S
BSP	BSPP	BSPP	mm	mm
2MBSPP-2MBSPP	1/8-28	1/8-28	26,0	14,0
4MBSPP-4MBSPP	1/4-19	1/4-19	30,0	19,0
6MBSPP-6MBSPP	3/8-19	3/8-19	33,0	22,0
8MBSPP-8MBSPP	1/2-14	1/2-14	42,0	27,0
10MBSPP-10MBSPP	5/8-14	5/8-14	45,0	30,0
12MBSPP-12MBSPP	3/4-14	3/4-14	48,0	32,0
16MBSPP-16MBSPP	1-11	1-11	54,0	41,0
20MBSPP-20MBSPP	1 1/4-11	1 1/4-11	58,0	50,0
24MBSPP-24MBSPP	1 1/2-11	1 1/2-11	63,0	55,0
32MBSPP-32MBSPP	2-11	2-11	68,0	70,0

## BSP ADAPTORS

### BSP MBSPP-MBSPP UNEQUAL

BSP 60° Male / Male unequal

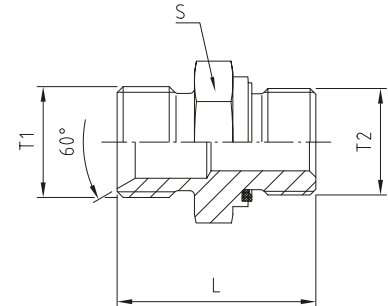






				
REF.	T1	T2	L	S
BSP	BSP	BSP	mm	mm
2MBSPP-4MBSPP	1/8-28	1/4-19	28,0	19,0
2MBSPP-6MBSPP	1/8-28	3/8-19	31,5	22,0
2MBSPP-8MBSPP	1/8-28	1/2-14	36,0	27,0
4MBSPP-6MBSPP	1/4-19	3/8-19	33,5	22,0
4MBSPP-8MBSPP	1/4-19	1/2-14	38,0	27,0
4MBSPP-10MBSPP	1/4-19	5/8-14	39,5	30,0
4MBSPP-12MBSPP	1/4-19	3/4-14	41,5	32,0
4MBSPP-16MBSPP	1/4-19	1-11	45,5	51,0
6MBSPP-8MBSPP	3/8-19	1/2-14	39,5	27,0
6MBSPP-10MBSPP	3/8-19	5/8-14	42,0	30,0
6MBSPP-12MBSPP	3/8-19	3/4-14	43,0	32,0
6MBSPP-16MBSPP	3/8-19	1-11	47,0	41,0
8MBSPP-10MBSPP	1/2-14	5/8-14	43,5	30,0
8MBSPP-12MBSPP	1/2-14	3/4-14	45,5	32,0
8MBSPP-16MBSPP	1/2-14	1-11	50,0	41,0
8MBSPP-20MBSPP	1/2-14	1 1/4-11	53,5	50,0
10MBSPP-12MBSPP	5/8-14	3/4-14	47,0	32,0
10MBSPP-16MBSPP	5/8-14	1-11	51,5	41,0
12MBSPP-16MBSPP	3/4-14	1-11	52,5	41,0
12MBSPP-20MBSPP	3/4-14	1 1/4-11	56,0	50,0
16MBSPP-20MBSPP	1-11	1 1/4-11	58,0	50,0
16MBSPP-24MBSPP	1-11	1 1/2-11	60,5	55,0
16MBSPP-32MBSPP	1-11	2-11	64,0	70,0
20MBSPP-24MBSPP	1 1/4-11	1 1/2-11	60,5	55,0
20MBSPP-32MBSPP	1 1/4-11	2-11	64,0	70,0
24MBSPP-32MBSPP	1 1/2-11	2-11	66,5	70,0

## BSP ADAPTORS

### BSP MBSPP-MBSPWD

BSP 60° Male / Male with captive seal

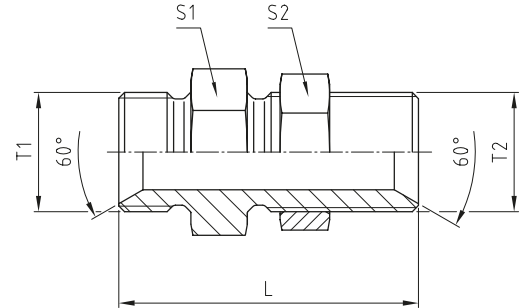






				
REF.	T1	T2	L	S
BSP	BSPP	BSPP WD	mm	mm
2MBSPP-2MBSPWD	1/8-28	1/8-28	25,5	14,0
4MBSPP-2MBSPWD	1/4-19	1/8-28	27,5	19,0
6MBSPP-2MBSPWD	3/8-19	1/8-28	29,0	22,0
2MBSPP-4MBSPWD	1/8-28	1/4-19	30,0	19,0
4MBSPP-4MBSPWD	1/4-19	1/4-19	32,0	19,0
6MBSPP-4MBSPWD	3/8-19	1/4-19	33,5	22,0
8MBSPP-4MBSPWD	1/2-14	1/4-19	40,0	27,0
12MBSPP-4MBSPWD	3/4-14	1/4-19	41,5	32,0
4MBSPP-6MBSPWD	1/4-19	3/8-19	34,5	22,0
6MBSPP-6MBSPWD	3/8-19	3/8-19	34,0	22,0
8MBSPP-6MBSPWD	1/2-14	3/8-19	40,5	27,0
12MBSPP-6MBSPWD	3/4-14	3/8-19	42,0	32,0
4MBSPP-8MBSPWD	1/4-19	1/2-14	39,0	27,0
6MBSPP-8MBSPWD	3/8-19	1/2-14	40,5	27,0
8MBSPP-8MBSPWD	1/2-14	1/2-14	43,0	27,0
12MBSPP-8MBSPWD	3/4-14	1/2-14	44,5	32,0
16MBSPP-8MBSPWD	1-11	1/2-14	50,5	41,0
4MBSPP-12MBSPWD	1/4-19	3/4-14	40,0	32,0
6MBSPP-12MBSPWD	3/8-19	3/4-14	43,5	32,0
8MBSPP-12MBSPWD	1/2-14	3/4-14	46,0	32,0
12MBSPP-12MBSPWD	3/4-14	3/4-14	46,5	32,0
16MBSPP-12MBSPWD	1-11	3/4-14	52,5	41,0
20MBSPP-12MBSPWD	1 1/4-11	3/4-14	54,5	50,0
6MBSPP-16MBSPWD	3/8-19	1-11	47,5	41,0
8MBSPP-16MBSPWD	1/2-14	1-11	50,0	41,0
12MBSPP-16MBSPWD	3/4-14	1-11	52,5	41,0
16MBSPP-16MBSPWD	1-11	1-11	54,5	41,0

## BSP ADAPTORS

### BSP MBSPP-MBSPBKH

BSP 60° Male / Male straight bulkhead with lock nut

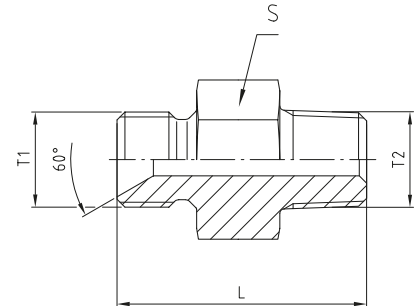






				
REF.	T1	T2	L	S1 & S2
BSP	BSPP	BSPP	mm	mm
2MBSPP-2MBSPBKH	1/8-28	1/8-28	49,0	14,0
4MBSPP-4MBSPBKH	1/4-19	1/4-19	53,0	19,0
6MBSPP-6MBSPBKH	3/8-19	3/8-19	56,5	22,0
8MBSPP-8MBSPBKH	1/2-14	1/2-14	65,0	27,0
10MBSPP-10MBSPBKH	5/8-14	5/8-14	67,5	30,0
12MBSPP-12MBSPBKH	3/4-14	3/4-14	71,5	32,0
16MBSPP-16MBSPBKH	1-11	1-11	84,0	41,0
20MBSPP-20MBSPBKH	1 1/4-11	1 1/4-11	89,5	50,0
24MBSPP-24MBSPBKH	1 1/2-11	1 1/2-11	93,0	55,0
32MBSPP-32MBSPBKH	2-11	2-11	97,5	70,0

## BSP ADAPTORS

### BSP MBSPP-MBSPT

BSP 60° Male / Male BSP taper

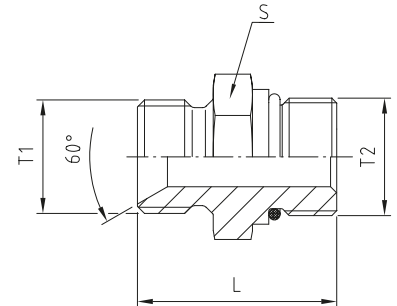






				
REF.	T1	T2	L	S
BSP	BSPP	BSPT	mm	mm
2MBSPP-2MBSPT	1/8-28	R1/8-28	26,0	14,0
4MBSPP-2MBSPT	1/4-19	R1/8-28	28,0	19,0
2MBSPP-4MBSPT	1/8-28	R1/4-19	30,5	14,0
4MBSPP-4MBSPT	1/4-19	R1/4-19	32,0	19,0
6MBSPP-4MBSPT	3/8-19	R1/4-19	35,5	22,0
8MBSPP-4MBSPT	1/2-14	R1/4-19	40,5	27,0
4MBSPP-6MBSPT	1/4-19	R3/8-19	32,0	19,0
6MBSPP-6MBSPT	3/8-19	R3/8-19	35,5	22,0
8MBSPP-6MBSPT	1/2-14	R3/8-19	40,0	27,0
4MBSPP-8MBSPT	1/4-19	R1/2-14	40,0	24,0
6MBSPP-8MBSPT	3/8-19	R1/2-14	40,5	24,0
8MBSPP-8MBSPT	1/2-14	R1/2-14	45,0	27,0
12MBSPP-8MBSPT	3/4-14	R1/2-14	49,5	32,0
6MBSPP-12MBSPT	3/8-19	R3/4-14	40,5	27,0
8MBSPP-12MBSPT	1/2-14	R3/4-14	45,0	30,0
12MBSPP-12MBSPT	3/4-14	R3/4-14	48,5	32,0
16MBSPP-12MBSPT	1-11	R3/4-14	53,0	41,0
20MBSPP-12MBSPT	1 1/4-11	R3/4-14	56,0	50,0
12MBSPP-16MBSPT	3/4-14	R1-11	53,5	36,0
16MBSPP-16MBSPT	1-11	R1-11	58,0	41,0
20MBSPP-16MBSPT	1 1/4-11	R1-11	61,0	50,0
12MBSPP-20MBSPT	3/4-14	R1 1/4-11	58,0	46,0
16MBSPP-20MBSPT	1-11	R1 1/4-11	60,0	46,0
20MBSPP-20MBSPT	1 1/4-11	R1 1/4-11	62,0	50,0
24MBSPP-20MBSPT	1 1/2-11	R1 1/4-11	64,5	55,0
20MBSPP-24MBSPT	1 1/4-11	R1 1/2-11	62,0	50,0
24MBSPP-24MBSPT	1 1/2-11	R1 1/2-11	64,5	55,0
32MBSPP-32MBSPT	2-11	R2-11	72,5	70,0

## BSP ADAPTORS

### BSP MBSPP-MB

BSP 60° Male / Male UN/UNF SAE with O-ring

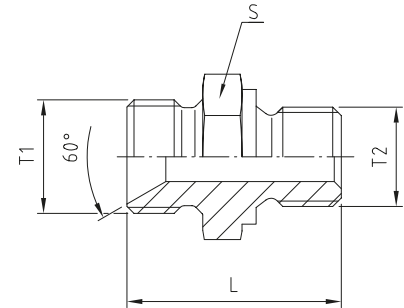






				
REF.	T1	T2	L	S
BSP	BSP	SAE O	mm	mm
4MBSPP-4MB	1/4-19	7/16-20	29,5	19,0
4MBSPP-6MB	1/4-19	9/16-18	32,0	19,0
4MBSPP-8MB	1/4-19	3/4-16	31,0	22,0
6MBSPP-4MB	3/8-19	7/16-20	33,0	22,0
6MBSPP-6MB	3/8-19	9/16-18	33,5	22,0
6MBSPP-8MB	3/8-19	3/4-16	36,0	24,0
6MBSPP-10MB	3/8-19	7/8-14	39,5	27,0
6MBSPP-12MB	3/8-19	1 1/16-12	43,0	31,0
8MBSPP-8MB	1/2-14	3/4-16	38,0	27,0
8MBSPP-10MB	1/2-14	7/8-14	42,0	27,0
8MBSPP-12MB	1/2-14	1 1/16-12	42,5	36,0
10MBSPP-10MB	5/8-14	7/8-14	43,5	30,0
10MBSPP-12MB	5/8-14	1 1/16-12	47,0	34,0
12MBSPP-8MB	3/4-14	3/4-16	40,5	32,0
12MBSPP-10MB	3/4-14	7/8-14	45,5	32,0
12MBSPP-12MB	3/4-14	1 1/16-12	48,0	34,0
12MBSPP-16MB	3/4-14	1 5/16-12	50,7	41,0
16MBSPP-12MB	1-11	1 1/16-12	52,0	41,0
16MBSPP-16MB	1-11	1 5/16-12	52,6	41,0

## BSP ADAPTORS

### BSP MBSPP-MM

BSP 60° Male / Male metric



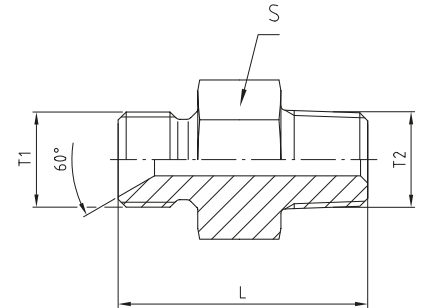
				
REF.	T1	T2	L	S
BSP	BSP	METRIC	mm	mm
4MBSPP-10MM	1/4-19	M10X1	27,0	19,0
4MBSPP-12MM	1/4-19	M12X1.5	29,0	19,0
4MBSPP-14MM	1/4-19	M14X1.5	30,0	19,0
4MBSPP-16MM	1/4-19	M16X1.5	33,0	22,0
4MBSPP-18MM	1/4-19	M18X1.5	33,0	24,0
4MBSPP-20MM	1/4-19	M20X1.5	37,0	27,0
4MBSPP-22MM	1/4-19	M22X1.5	37,0	27,0
6MBSPP-12MM	3/8-19	M12X1.5	31,5	22,0
6MBSPP-14MM	3/8-19	M14X1.5	32,5	22,0
6MBSPP-16MM	3/8-19	M16X1.5	33,5	22,0
6MBSPP-18MM	3/8-19	M18X1.5	34,5	24,0
6MBSPP-20MM	3/8-19	M20x1.5	38,5	27,0
6MBSPP-22MM	3/8-19	M22X1.5	38,5	27,0
8MBSPP-12MM	1/2-14	M12X1.5	37,0	27,0
8MBSPP-14MM	1/2-14	M14X1.5	38,0	27,0
8MBSPP-16MM	1/2-14	M16X1.5	39,0	27,0
8MBSPP-18MM	1/2-14	M18X1.5	39,0	27,0
8MBSPP-20MM	1/2-14	M20X1.5	41,0	27,0
8MBSPP-22MM	1/2-14	M22X1.5	41,0	27,0
8MBSPP-24MM	1/2-14	M24X1.5	41,0	30,0
8MBSPP-26MM	1/2-14	M26X1.5	44,0	32,0
12MBSPP-18MM	3/4-14	M18X1.5	42,5	32,0
12MBSPP-22MM	3/4-14	M22X1.5	44,5	32,0
12MBSPP-26MM	3/4-14	M26X1.5	46,5	32,0
16MBSPP-22MM	1-11	M22X1.5	48,5	41,0
16MBSPP-26MM	1-11	M26X1.5	50,5	41,0







## BSP ADAPTORS

### BSP MBSPP-MP

BSP 60° Male / Male NPT

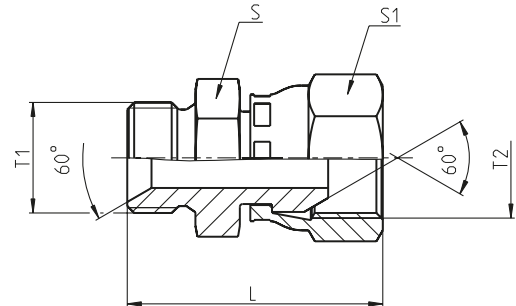


				
REF.	T1	T2	L	S
BSP	BSPP	NPT	mm	mm
4MBSPP-4MP	1/4-19	Z1/4-18	33,0	19,0
6MBSPP-6MP	3/8-19	Z3/8-18	37,5	22,0
8MBSPP-8MP	1/2-14	Z1/2-14	45,5	27,0
12MBSPP-12MP	3/4-14	Z3/4-14	49,0	32,0
16MBSPP-16MP	1-11	Z1-11.5	59,0	41,0
32MBSPP-32MP	2-11	Z2-11.5	70,0	70,0

## BSP ADAPTORS

### BSP MBSPP-FBSPPX

BSP 60° Male / Female swivel

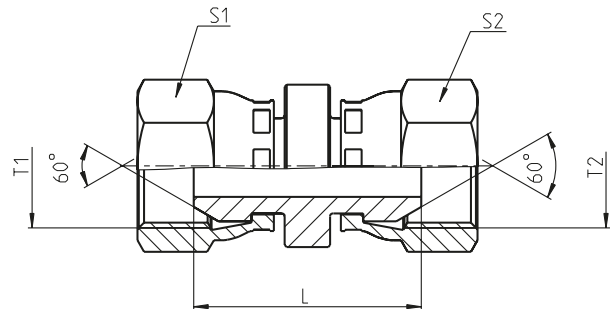






REF.	T1	T2	L	S	S1
BSP	BSPP	BSPP F	mm	mm	mm
2MBSPP-2FBSPPX	1/8-28	1/8-28	25,0	14,0	14,0
2MBSPP-4FBSPPX	1/8-28	1/4-19	27,0	14,0	19,0
4MBSPP-2FBSPPX	1/4-19	1/8-28	27,0	19,0	14,0
4MBSPP-4FBSPPX	1/4-19	1/4-19	29,0	19,0	19,0
4MBSPP-6FBSPPX	1/4-19	3/8-19	30,5	19,0	22,0
4MBSPP-8FBSPPX	1/4-19	1/2-14	32,0	19,0	27,0
4MBSPP-12FBSPPX	1/4-19	3/4-14	33,0	27,0	32,0
6MBSPP-4FBSPPX	3/8-19	1/4-19	32,5	22,0	19,0
6MBSPP-6FBSPPX	3/8-19	3/8-19	34,0	22,0	22,0
6MBSPP-8FBSPPX	3/8-19	1/2-14	35,5	22,0	27,0
6MBSPP-12FBSPPX	3/8-19	3/4-14	36,5	27,0	32,0
6MBSPP-16FBSPPX	3/8-19	1-11	38,0	32,0	41,0
8MBSPP-4FBSPPX	1/2-14	1/4-19	37,0	27,0	19,0
8MBSPP-6FBSPPX	1/2-14	3/8-19	38,5	27,0	22,0
8MBSPP-8FBSPPX	1/2-14	1/2-14	40,0	27,0	27,0
8MBSPP-10FBSPPX	1/2-14	5/8-14	40,5	27,0	30,0
8MBSPP-12FBSPPX	1/2-14	3/4-14	41,0	27,0	32,0
8MBSPP-16FBSPPX	1/2-14	1-11	42,5	32,0	41,0
10MBSPP-10FBSPPX	5/8-14	5/8-14	42,0	30,0	30,0
12MBSPP-6FBSPPX	3/4-14	3/8-19	42,0	32,0	22,0
12MBSPP-8FBSPPX	3/4-14	1/2-14	43,5	32,0	27,0
12MBSPP-12FBSPPX	3/4-14	3/4-14	44,5	32,0	32,0
12MBSPP-16FBSPPX	3/4-14	1-11	46,0	32,0	41,0
12MBSPP-20FBSPPX	3/4-14	1 1/4-11	49,0	32,0	50,0
16MBSPP-8FBSPPX	1-11	1/2-14	48,0	41,0	27,0
16MBSPP-12FBSPPX	1-11	3/4-14	49,0	41,0	32,0
16MBSPP-16FBSPPX	1-11	1-11	50,0	41,0	41,0
16MBSPP-20FBSPPX	1-11	1 1/4-11	53,0	41,0	50,0
16MBSPP-24FBSPPX	1-11	1 1/2-11	53,5	55,0	55,0
20MBSPP-12FBSPPX	1 1/4-11	3/4-14	50,5	50,0	32,0
20MBSPP-16FBSPPX	1 1/4-11	1-11	52,0	50,0	41,0
20MBSPP-20FBSPPX	1 1/4-11	1 1/2-11	55,0	50,0	50,0
20MBSPP-24FBSPPX	1 1/4-11	1 1/2-11	55,5	50,0	55,0
20MBSPP-32FBSPPX	1 1/4-11	2-11	58,5	50,0	70,0
24MBSPP-16FBSPPX	1 1/2-11	1-11	54,5	55,0	41,0
24MBSPP-20FBSPPX	1 1/2-11	1 1/4-11	57,5	55,0	50,0
24MBSPP-24FBSPPX	1 1/2-11	1 1/2-11	58,0	55,0	55,0
24MBSPP-32FBSPPX	1 1/2-11	2-11	60,0	55,0	70,0
32MBSPP-20FBSPPX	2-11	1 1/4-11	60,0	70,0	50,0
32MBSPP-24FBSPPX	2-11	1 1/2-11	60,5	70,0	55,0
32MBSPP-32FBSPPX	2-11	2-11	63,5	70,0	70,0

## BSP ADAPTORS

### BSP FBSPPX-FBSPPX

BSP 60° Female swivel / Female swivel

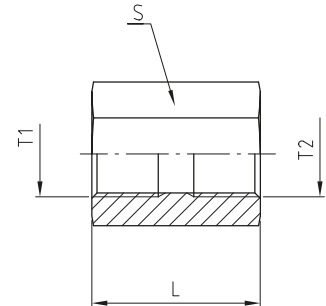






					
REF.	T1	T2	L	S1	S2
BSP	BSPP F	BSPP F	mm	mm	mm
2FBSPPX-2FBSPPX	1/8-28	1/8-28	21,0	14,0	14,0
4FBSPPX-4FBSPPX	1/4-19	1/4-19	25,0	19,0	19,0
4FBSPPX-6FBSPPX	1/4-19	3/8-19	26,5	19,0	22,0
4FBSPPX-8FBSPPX	1/4-19	1/2-14	28,5	19,0	27,0
6FBSPPX-6FBSPPX	3/8-19	3/8-19	27,0	22,0	22,0
6FBSPPX-8FBSPPX	3/8-19	1/2-14	29,5	22,0	27,0
8FBSPPX-8FBSPPX	1/2-14	1/2-14	31,0	27,0	27,0
8FBSPPX-10FBSPPX	1/2-14	5/8-14	31,5	27,0	30,0
8FBSPPX-12FBSPPX	1/2-14	3/4-14	32,5	27,0	32,0
10FBSPPX-10FBSPPX	5/8-14	5/8-14	31,5	30,0	30,0
12FBSPPX-12FBSPPX	3/4-14	3/4-14	33,5	32,0	32,0
12FBSPPX-16FBSPPX	3/4-14	1-11	35,0	32,0	41,0
16FBSPPX-16FBSPPX	1-11	1-11	36,5	41,0	41,0
20FBSPPX-20FBSPPX	1 1/4-11	1 1/4-11	40,0	50,0	50,0
24FBSPPX-24FBSPPX	1 1/2-11	1 1/2-11	47,0	55,0	55,0
32FBSPPX-32FBSPPX	2-11	2-11	47,0	70,0	70,0

## BSP ADAPTORS

### BSP FBSPP-FBSPP

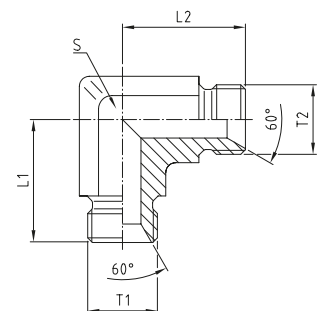
BSP Female fixed / Female fixed







				
REF.	T1	T2	L	S
BSP	BSPP F	BSPP F	mm	mm
2FBSPP-2FBSPP	1/8-28	1/8-28	22,0	14,0
4FBSPP-4FBSPP	1/4-19	1/4-19	24,0	19,0
6FBSPP-6FBSPP	3/8-19	3/8-19	26,0	22,0
8FBSPP-8FBSPP	1/2-14	1/2-14	32,0	27,0
10FBSPP-10FBSPP	5/8-14	5/8-14	36,0	30,0
12FBSPP-12FBSPP	3/4-14	3/4-14	36,0	32,0
16FBSPP-16FBSPP	1-11	1-11	40,0	41,0
20FBSPP-20FBSPP	1 1/4-11	1 1/4-11	44,0	50,0
24FBSPP-24FBSPP	1 1/2-11	1 1/2-11	45,0	55,0
32FBSPP-32FBSPP	2-11	2-11	54,0	70,0

### BSP MBSPP-MBSPP90BL

BSP 60° Male / Male 90° compact elbow (forged)

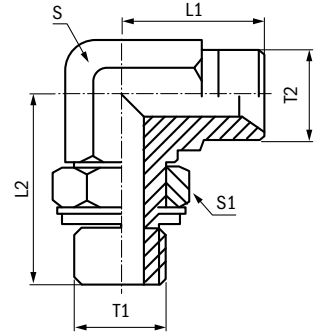


					
REF.	T1	T2	L1	L2	S Flats
BSP	BSPP	BSPP	mm	mm	mm
4MBSPP-4MBSPP90BL	1/4-19	1/4-19	24,5	24,5	14,0
6MBSPP-6MBSPP90BL	3/8-19	3/8-19	27,5	27,5	16,0
8MBSPP-8MBSPP90BL	1/2-14	1/2-14	34,5	34,5	22,0
12MBSPP-12MBSPP90BL	3/4-14	3/4-14	40,0	40,0	27,0
16MBSPP-16MBSPP90BL	1-11	1-11	46,0	46,0	33,0

## BSP ADAPTORS

### BSP MBSPP-MBSPPACOR90

BSPP 60° male / adjustable male BSPP 90° elbow with O-Ring and retaining ring

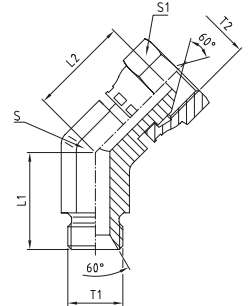






THREAD		LENGTH		HEX/FLATS		WORKING PRESSURE	ADAPTOR
T1	T2	L1	L2	S	S1	WP	REF.
BSPP	BSPP	mm	mm	mm	mm	bar	BSP
1/8"-28	1/8"-28	22.5	26.0	11.0	14.0	200	2MBSPP-2MBSPPACOR90
1/4"-19	1/4"-19	27.0	31.5	14.0	19.0	200	4MBSPP-4MBSPPACOR90
3/8"-19	3/8"-19	29.0	37.0	19.0	22.0	200	6MBSPP-6MBSPPACOR90
3/8"-19	1/2"-14	32.0	43.0	22.0	27.0	200	6MBSPP-8MBSPPACOR90
1/2"-14	1/2"-14	34.0	43.0	22.0	27.0	200	8MBSPP-8MBSPPACOR90

## BSP ADAPTORS

### BSP MBSPP-FBSPPX45BL

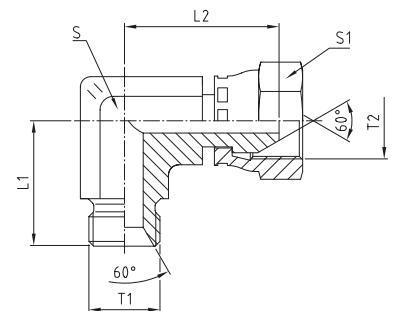
BSPP 60° Male / Female swivel 45° compact elbow (forged)







						
REF.	T1	T2	L1	L2	S Flats	S1
BSP	BSPP	BSPP F	mm	mm	mm	mm
4MBSPP-4FBSPPX45BL	1/4-19	1/4-19	20,3	23,5	14,0	19,0
6MBSPP-6FBSPPX45BL	3/8-19	3/8-19	22,0	26,7	16,0	22,0
8MBSPP-8FBSPPX45BL	1/2-14	1/2-14	27,0	29,5	22,0	27,0
12MBSPP-12FBSPPX45BL	3/4-14	3/4-14	31,0	34,1	27,0	32,0
16MBSPP-16FBSPPX45BL	1-11	1-11	35,0	38,3	33,0	41,0

### BSP MBSPP-FBSPPX90BL

BSPP 60° Male / Female swivel 90° compact elbow (forged)

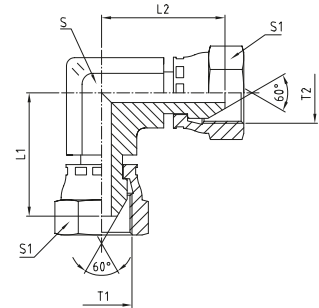






						
REF.	T1	T2	L1	L2	S Flats	S1
BSP	BSPP	BSPP F	mm	mm	mm	mm
4MBSPP-4FBSPPX90BL	1/4-19	1/4-19	24,5	24,0	14,0	19,0
6MBSPP-6FBSPPX90BL	3/8-19	3/8-19	27,5	26,7	16,0	22,0
8MBSPP-8FBSPPX90BL	1/2-14	1/2-14	34,5	34,3	22,0	27,0
10MBSPP-10FBSPPX90BL	5/8-14	5/8-14	35,0	34,3	22,0	30,0
12MBSPP-12FBSPPX90BL	3/4-14	3/4-14	40,0	36,5	27,0	32,0
16MBSPP-16FBSPPX90BL	1-11	1-11	46,0	43,2	33,0	41,0
20MBSPP-20FBSPPX90BL	1 1/4-11	1 1/4-11	50,5	46,4	41,0	50,0

## BSP ADAPTORS

### BSP FBSPPX-FBSPPX90BL

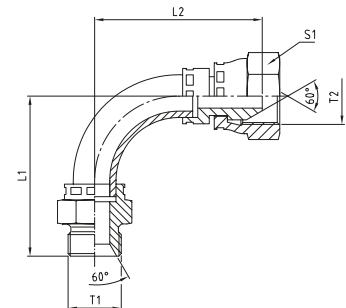
BSP 60° Female swivel / Female swivel 90° compact elbow (forged)







						
REF.	T1	T2	L1	L2	S Flats	S1
BSP	BSPP F	BSPP F	mm	mm	mm	mm
4FBSPPX-4FBSPPX90BL	1/4-19	1/4-19	24,0	24,0	11,0	19,0
6FBSPPX-6FBSPPX90BL	3/8-19	3/8-19	26,7	26,7	14,0	22,0
8FBSPPX-8FBSPPX90BL	1/2-14	1/2-14	34,3	34,3	19,0	27,0
10FBSPPX-10FBSPPX90BL	5/8-14	5/8-14	34,3	34,3	22,0	30,0
12FBSPPX-12FBSPPX90BL	3/4-14	3/4-14	36,5	36,5	24,0	32,0
16FBSPPX-16FBSPPX90BL	1-11	1-11	43,2	43,2	30,0	41,0
20FBSPPX-20FBSPPX90BL	1 1/4-11	1 1/4-11	46,4	46,4	36,0	50,0

### BSP MBSPP-FBSPPX90SWT

BSP 60° Male / Female swivel 90° swept elbow

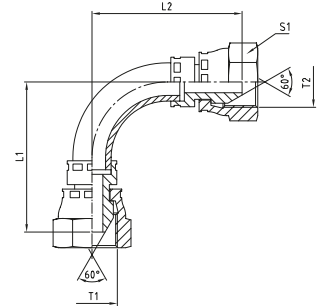






						
REF.	T1	T2	L1	L2	S1	
BSP	BSPP	BSPP F	mm	mm	mm	
4MBSPP-4FBSPPX90SWT	1/4-19	1/4-19	43,0	33,6	19,0	
6MBSPP-6FBSPPX90SWT	3/8-19	3/8-19	51,6	41,3	22,0	
8MBSPP-8FBSPPX90SWT	1/2-14	1/2-14	59,8	48,6	27,0	
10MBSPP-10FBSPPX90SWT	5/8-14	5/8-14	70,0	52,5	30,0	
12MBSPP-12FBSPPX90SWT	3/4-14	3/4-14	73,9	62,1	32,0	
16MBSPP-16FBSPPX90SWT	1-11	1-11	93,7	72,8	41,0	
20MBSPP-20FBSPPX90SWT	1 1/4-11	1 1/4-11	110,7	85,9	50,0	

## BSP ADAPTORS

### BSP FBSPPX-FBSPPX90SWT

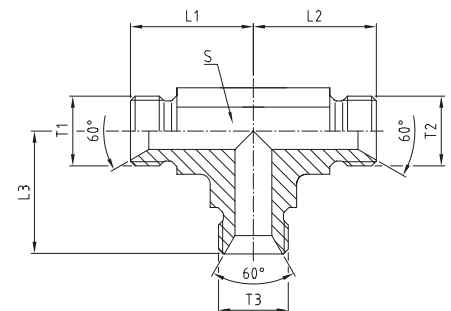
BSP 60° Female swivel / Female swivel 90° swept elbow







					
REF.	T1	T2	L1	L2	S1
BSP	BSPP F	BSPP F	mm	mm	mm
4FBSPPX-4FBSPPX90SWT	1/4-19	1/4-19	27,0	27,0	19,0
6FBSPPX-6FBSPPX90SWT	3/8-19	3/8-19	33,0	33,0	22,0
8FBSPPX-8FBSPPX90SWT	1/2-14	1/2-14	38,0	38,0	27,0
10FBSPPX-10FBSPPX90SWT	5/8-14	5/8-14	52,5	52,5	30,0
12FBSPPX-12FBSPPX90SWT	3/4-14	3/4-14	58,0	58,0	32,0
16FBSPPX-16FBSPPX90SWT	1-11	1-11	74,0	74,0	41,0
20FBSPPX-20FBSPPX90SWT	1 1/4-11	1 1/4-11	92,0	92,0	50,0

### BSP MBSPP-MBSPP-MBSPP

BSP 60° Male / Male / Male "T" (forged)



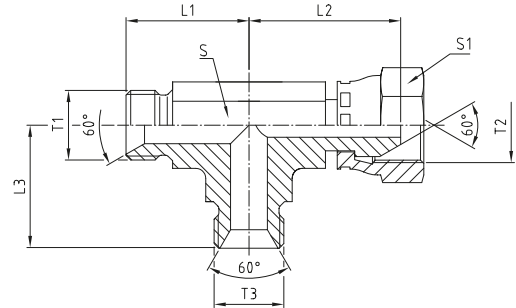
						
REF.	T1	T2	T3	L1 . L2	L3	S Flats
BSP	BSPP	BSPP	BSPP	mm	mm	mm
4MBSPP-4MBSPP-4MBSPP	1/4-19	1/4-19	1/4-19	24,5	24,5	14,0
6MBSPP-6MBSPP-6MBSPP	3/8-19	3/8-19	3/8-19	27,5	27,5	16,0
8MBSPP-8MBSPP-8MBSPP	1/2-14	1/2-14	1/2-14	34,5	34,5	22,0
10MBSPP-10MBSPP-10MBSPP	5/8-14	5/8-14	5/8-14	35,0	35,0	22,0
12MBSPP-12MBSPP-12MBSPP	3/4-14	3/4-14	3/4-14	40,0	40,0	27,0
16MBSPP-16MBSPP-16MBSPP	1-11	1-11	1-11	46,0	46,0	33,0
20MBSPP-20MBSPP-20MBSPP	1 1/4-11	1 1/4-11	1 1/4-11	50,5	50,5	41,0
24MBSPP-24MBSPP-24MBSPP	1 1/2-11	1 1/2-11	1 1/2-11	57,5	57,5	48,0







## BSP ADAPTORS

### BSP MBSPP-FBSPPX-MBSPP

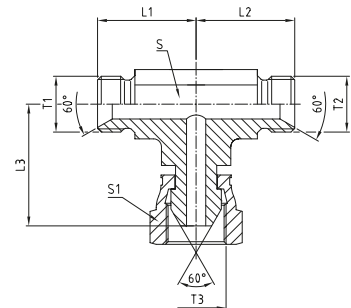
BSP 60° Male / Female swivel / Male "T" (forged)







							
REF.	T1	T2	T3	L1 . L3	L2	S Flats	S1
BSP	BSPP	BSPP F	BSPP	mm	mm	mm	mm
4MBSPP-4FBSPPX-4MBSPP	1/4-19	1/4-19	1/4-19	25,0	24,0	14,0	19,0
6MBSPP-6FBSPPX-6MBSPP	3/8-19	3/8-19	3/8-19	27,5	26,7	16,0	22,0
8MBSPP-8FBSPPX-8MBSPP	1/2-14	1/2-14	1/2-14	34,5	34,3	22,0	27,0
12MBSPP-12FBSPPX-12MBSPP	3/4-14	3/4-14	3/4-14	40,0	36,5	27,0	32,0
16MBSPP-16FBSPPX-16MBSPP	1-11	1-11	1-11	46,0	43,2	33,0	41,0
20MBSPP-20FBSPPX-20MBSPP	1 1/4-11	1 1/4-11	1 1/4-11	50,5	46,4	41,0	50,0

### BSP MBSPP-MBSPP-FBSPPX

BSP 60° Male / Male / Female swivel "T" (forged)

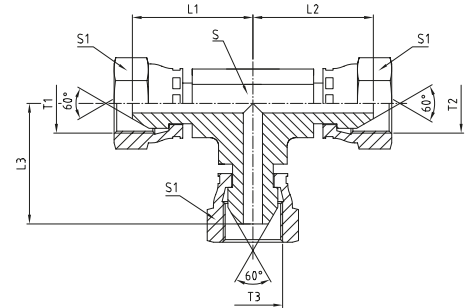






							
REF.	T1	T2	T3	L1 . L2	L3	S Flats	S1
BSP	BSPP	BSPP	BSPP F	mm	mm	mm	mm
4MBSPP-4MBSPP-4FBSPPX	1/4-19	1/4-19	1/4-19	24,5	24,0	14,0	19,0
6MBSPP-6MBSPP-6FBSPPX	3/8-19	3/8-19	3/8-19	27,5	26,7	16,0	22,0
8MBSPP-8MBSPP-8FBSPPX	1/2-14	1/2-14	1/2-14	34,5	34,3	22,0	27,0
12MBSPP-12MBSPP-12FBSPPX	3/4-14	3/4-14	3/4-14	40,0	36,5	27,0	32,0
16MBSPP-16MBSPP-16FBSPPX	1-11	1-11	1-11	46,0	43,2	33,0	41,0
20MBSPP-20MBSPP-20FBSPPX	1 1/4-11	1 1/4-11	1 1/4-11	50,5	46,4	41,0	50,0

## BSP ADAPTORS

### BSP FBSPPX-FBSPPX-FBSPPX

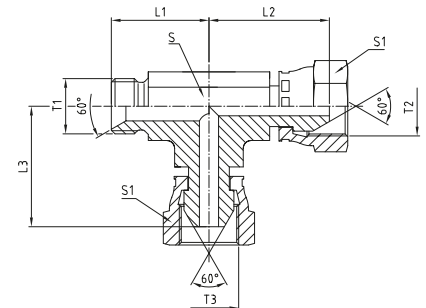
BSPP 60° Female swivel / Female swivel / Female swivel "T" (forged)







							
REF.	T1	T2	T3	L1 . L2	L3	S Flats	S1
BSP	BSPP F	BSPP F	BSPP F	mm	mm	mm	mm
4FBSPPX-4FBSPPX-4FBSPPX	1/4-19	1/4-19	1/4-19	24,0	24,0	11,0	19,0
6FBSPPX-6FBSPPX-6FBSPPX	3/8-19	3/8-19	3/8-19	26,7	26,7	16,0	22,0
8FBSPPX-8FBSPPX-8FBSPPX	1/2-14	1/2-14	1/2-14	34,3	34,3	19,0	27,0
10FBSPPX-10FBSPPX-10FBSPPX	5/8-14	5/8-14	5/8-14	34,3	34,3	22,0	30,0
12FBSPPX-12FBSPPX-12FBSPPX	3/4-14	3/4-14	3/4-14	36,5	36,5	24,0	32,0
16FBSPPX-16FBSPPX-16FBSPPX	1-11	1-11	1-11	43,2	43,2	30,0	41,0
20FBSPPX-20FBSPPX-20FBSPPX	1 1/4-11	1 1/4-11	1 1/4-11	46,4	46,4	41,0	50,0
24FBSPPX-24FBSPPX-24FBSPPX	1 1/2-11	1 1/2-11	1 1/2-11	54,5	54,5	48,0	55,0

### BSP MBSPP-FBSPPX-FBSPPX

BSPP 60° Male / Female swivel / Female swivel "T" (forged)

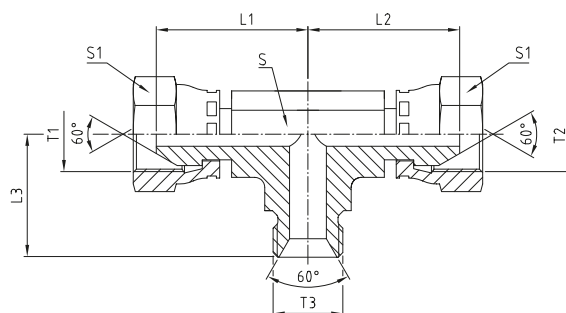






							
REF.	T1	T2	T3	L1	L2 . L3	S Flats	S1
BSP	BSPP	BSPP F	BSPP F	mm	mm	mm	mm
4MBSPP-4FBSPPX-4FBSPPX	1/4-19	1/4-19	1/4-19	25,0	24,0	14,0	19,0
6MBSPP-6FBSPPX-6FBSPPX	3/8-19	3/8-19	3/8-19	27,5	26,7	16,0	22,0
8MBSPP-8FBSPPX-8FBSPPX	1/2-14	1/2-14	1/2-14	34,5	34,3	22,0	27,0
12MBSPP-12FBSPPX-12FBSPPX	3/4-14	3/4-14	3/4-14	40,0	36,5	27,0	32,0
16MBSPP-16FBSPPX-16FBSPPX	1-11	1-11	1-11	46,0	43,2	33,0	41,0

## BSP ADAPTORS

### BSP FBSPPX-FBSPPX-MBSPP

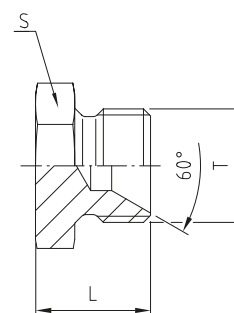
BSP 60° Female swivel / Female swivel / Male "T" (forged)







							
REF.	T1	T2	T3	L1 . L2	L3	S Flats	S1
BSP	BSPP F	BSPP F	BSPP	mm	mm	mm	mm
4FBSPPX-4FBSPPX-4MBSPP	1/4-19	1/4-19	1/4-19	24,0	25,0	14,0	19,0
6FBSPPX-6FBSPPX-6MBSPP	3/8-19	3/8-19	3/8-19	26,7	27,5	16,0	22,0
8FBSPPX-8FBSPPX-8MBSPP	1/2-14	1/2-14	1/2-14	34,3	34,5	22,0	27,0
10FBSPPX-10FBSPPX-10MBSPP	5/8-14	5/8-14	5/8-14	34,3	34,5	22,0	30,0
12FBSPPX-12FBSPPX-12MBSPP	3/4-14	3/4-14	3/4-14	36,5	40,0	27,0	32,0
16FBSPPX-16FBSPPX-16MBSPP	1-11	1-11	1-11	43,2	46,0	33,0	41,0

### BSP MBSPP PLUG

BSPP 60° Male cone plug

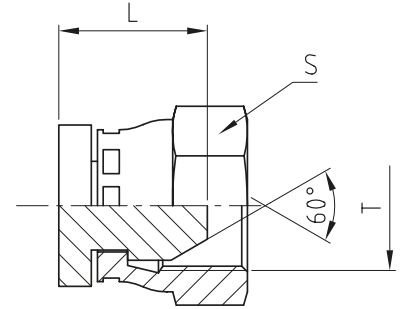






				
REF.	T	L		S
BSP	BSPP	mm		mm
2MBSPP-PLUG	1/8-28	16,0		14,0
4MBSPP-PLUG	1/4-19	18,0		19,0
6MBSPP-PLUG	3/8-19	21,5		22,0
8MBSPP-PLUG	1/2-14	26,0		27,0
10MBSPP-PLUG	5/8-14	27,5		30,0
12MBSPP-PLUG	3/4-14	29,5		32,0
16MBSPP-PLUG	1-11	34,0		41,0
20MBSPP-PLUG	1 1/4-11	37,5		50,0
24MBSPP-PLUG	1 1/2-11	40,0		55,0
32MBSPP-PLUG	2-11	43,5		70,0

## BSP ADAPTORS

### BSP FBSPPX CAP

BSP 60° Female swivel cap

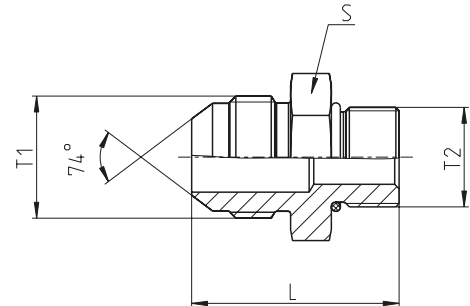






			
REF.	T	L	S
BSP	BSPP	mm	mm
2FBSPPX-CAP	1/8-28	13,8	14,0
4FBSPPX-CAP	1/4-19	16,9	19,0
6FBSPPX-CAP	3/8-19	17,4	22,0
8FBSPPX-CAP	1/2-14	20,2	27,0
10FBSPPX-CAP	5/8-14	19,6	30,0
12FBSPPX-CAP	3/4-14	21,9	32,0
16FBSPPX-CAP	1-11	23,6	41,0
20FBSPPX-CAP	1 1/4-11	28,4	50,0
24FBSPPX-CAP	1 1/2-11	28,5	55,0
32FBSPPX-CAP	2-11	31,5	70,0

## JIC ADAPTORS ISO 8434-2 & SAE J514

### JIC MJ-MMOR

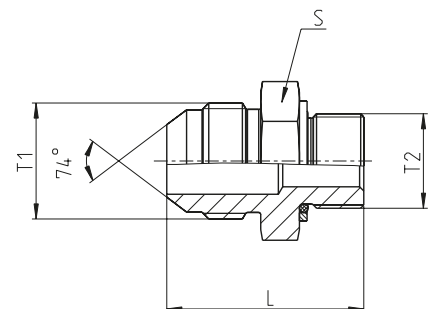
JIC 37° Male / Male metric with O-ring







				
REF.	T1	T2	L	S
JIC	JIC	Metric	mm	mm
4MJ-10MMOR	7/16-20	M10X1	30,0	14,0
6MJ-14MMOR	9/16-18	M14x1.5	34,0	19,0
6MJ-16MMOR	9/16-18	M16x1.5	36,0	22,0
6MJ-18MMOR	9/16-18	M18x1.5	37,0	24,0
8MJ-16MMOR	3/4-16	M16x1.5	38,0	22,0
8MJ-18MMOR	3/4-16	M18x1.5	39,0	24,0
10MJ-14MMOR	7/8-14	M14x1.5	41,0	24,0
10MJ-18MMOR	7/8-14	M18x1.5	43,0	24,0
10MJ-22MMOR	7/8-14	M22x1.5	44,0	27,0
12MJ-22MMOR	1 1/16-12	M22x1.5	48,0	27,0
12MJ-27MMOR	1 1/16-12	M27x2	51,0	32,0

### JIC MJ-MMCOR

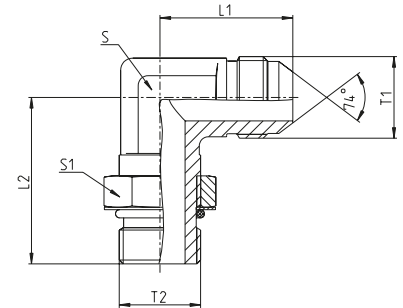
JIC 37° Male / Male metric with O-ring and retaining ring







				
REF.	T1	T2	L	S
JIC	JIC	Metric	mm	mm
6MJ-14MMCOR	9/16-18	M14x1.5	34,0	19,0
6MJ-18MMCOR	9/16-18	M18x1.5	37,0	24,0

**JIC MJ-MMAOR90**

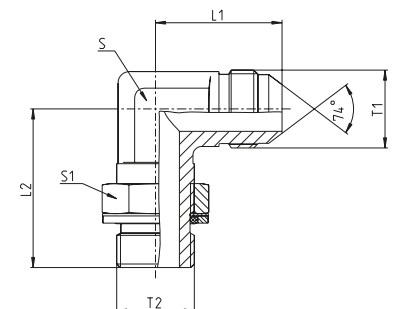
JIC 37° Male / Adjustable male metric 90° elbow with O-ring







						
REF.	T1	T2	L1	L2	S Flats	S1
JIC	JIC	Metric	mm	mm	mm	mm
5MJ-12MMAOR90	1/2-20	M12x1.5	24,0	31,0	13,0	17,0
6MJ-14MMAOR90	9/16-18	M14x1.5	27,0	34,0	14,0	19,0
8MJ-18MMAOR90	3/4-16	M18x1.5	32,0	38,0	19,0	24,0
10MJ-18MMAOR90	7/8-14	M18x1.5	37,0	42,0	22,0	24,0
10MJ-22MMAOR90	7/8-14	M22x1.5	37,0	43,0	22,0	27,0
12MJ-22MMAOR90	1 1/16-12	M22x1.5	42,0	45,0	24,0	27,0
12MJ-27MMAOR90	1 1/16-12	M27x2	42,0	50,0	27,0	32,0

**JIC MJ-MMACOR90**

JIC 37° Male / Adjustable male metric 90° elbow with O-ring and retaining ring

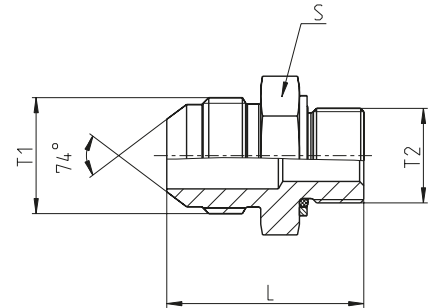






						
REF.	T1	T2	L1	L2	S Flats	S1
JIC	JIC	Metric	mm	mm	mm	mm
4MJ-10MMACOR90	7/16-20	M10x1	23,0	27,0	11,0	13,0

**JIC ADAPTORS**  
**ISO 8434-2 & SAE J514**

**JIC MJ-MBSPPCOR**

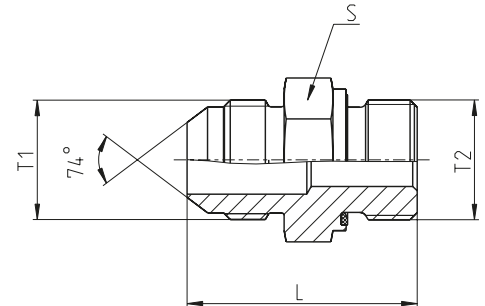
JIC 37° Male / Male BSPP with O-ring and retaining ring







				
REF.	T1	T2	L	S
JIC	JIC	BSPP	mm	mm
4MJ-2MBSPPCOR	7/16-20	1/8-28	28,0	16,0
4MJ-4MBSPPCOR	7/16-20	1/4-19	32,0	19,0
4MJ-6MBSPPCOR	7/16-20	3/8-19	33,0	22,0
4MJ-8MBSPPCOR	7/16-20	1/2-14	39,0	30,0
6MJ-4MBSPPCOR	9/16-18	1/4-19	33,0	19,0
6MJ-2MBSPPCOR	9/16-18	1/8-28	29,0	17,0
6MJ-6MBSPPCOR	9/16-18	3/8-19	33,0	22,0
6MJ-8MBSPPCOR	9/16-18	1/2-14	38,0	30,0
8MJ-6MBSPPCOR	3/4-16	3/8-19	36,0	22,0
8MJ-4MBSPPCOR	3/4-16	1/4-19	35,0	19,0
8MJ-8MBSPPCOR	3/4-16	1/2-14	41,0	30,0
8MJ-12MBSPPCOR	3/4-16	3/4-14	42,0	36,0
8MJ-16MBSPPCOR	3/4-16	1-11	47,0	46,0
10MJ-8MBSPPCOR	7/8-14	1/2-14	43,0	30,0
10MJ-6MBSPPCOR	7/8-14	3/8-19	39,0	24,0
10MJ-12MBSPPCOR	7/8-14	3/4-14	45,0	36,0
12MJ-12MBSPPCOR	1 1/16-12	3/4-14	48,0	36,0
16MJ-16MBSPPCOR	1 5/16-12	1-11	54,0	46,0
16MJ-12MBSPPCOR	1 5/16-12	3/4-14	49,0	36,0
16MJ-20MBSPPCOR	1 5/16-12	1 1/4-11	55,0	50,0
24MJ-20MBSPPCOR	1 7/8-12	1 1/4-11	60,0	50,0

**JIC MJ-MBSPWD**

JIC 37° Male / Male BSPP with captive seal

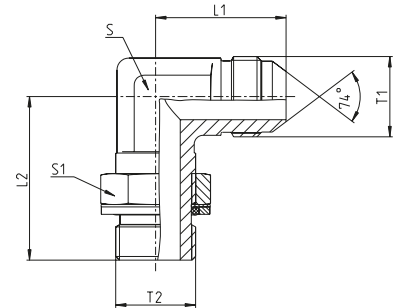






				
REF.	T1	T2	L	S
JIC	JIC	BSPP	mm	mm
4MJ-2MBSPWD	7/16-20	1/8-28	28,0	16,0
4MJ-4MBSPWD	7/16-20	1/4-19	32,0	19,0
4MJ-6MBSPWD	7/16-20	3/8-19	33,0	22,0
4MJ-8MBSPWD	7/16-20	1/2-14	39,0	27,0
5MJ-2MBSPWD	1/2-20	1/8-28	28,0	17,0
5MJ-4MBSPWD	1/2-20	1/4-19	32,0	19,0
5MJ-6MBSPWD	1/2-20	3/8-19	33,0	22,0
6MJ-4MBSPWD	9/16-18	1/4-19	33,0	19,0
6MJ-6MBSPWD	9/16-18	3/8-19	33,0	22,0
6MJ-8MBSPWD	9/16-18	1/2-14	38,0	30,0
8MJ-6MBSPWD	3/4-16	3/8-19	36,0	22,0
8MJ-4MBSPWD	3/4-16	1/4-19	35,0	19,0
8MJ-8MBSPWD	3/4-16	1/2-14	41,0	30,0
8MJ-12MBSPWD	3/4-16	3/4-14	42,0	36,0
8MJ-16MBSPWD	3/4-16	1-11	47,0	46,0
10MJ-8MBSPWD	7/8-14	1/2-14	43,0	30,0
10MJ-6MBSPWD	7/8-14	3/8-19	39,0	24,0
10MJ-12MBSPWD	7/8-14	3/4-14	45,0	36,0
12MJ-12MBSPWD	1 1/16-12	3/4-14	48,0	36,0
12MJ-8MBSPWD	1 1/16-12	1/2-14	47,0	30,0
12MJ-16MBSPWD	1 1/16-12	1-11	53,0	46,0
16MJ-16MBSPWD	1 5/16-12	1-11	54,0	46,0
16MJ-12MBSPWD	1 5/16-12	3/4-14	49,0	36,0
16MJ-20MBSPWD	1 5/16-12	1 1/4-11	55,0	50,0



**JIC MJ-MBSPACOR90**

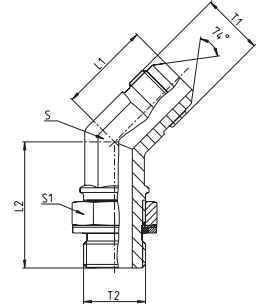
JIC 37° Male / Adjustable male BSPP 90° elbow with O-ring and retaining ring







						
REF.	T1	T2	L1	L2	S Flats	S1
JIC	JIC	BSPP	mm	mm	mm	mm
4MJ-2MBSPACOR90	7/16-20	1/8-28	23,0	27,0	11,0	14,0
4MJ-4MBSPACOR90	7/16-20	1/4-19	27,0	32,0	14,0	19,0
4MJ-6MBSPACOR90	7/16-20	3/8-19	29,0	27,0	19,0	22,0
5MJ-2MBSPACOR90	1/2-20	1/8-28	24,0	27,0	13,0	14,0
5MJ-4MBSPACOR90	1/2-20	1/4-19	27,0	32,0	14,0	19,0
5MJ-6MBSPACOR90	1/2-20	3/8-19	29,0	37,0	19,0	22,0
6MJ-4MBSPACOR90	9/16-18	1/4-19	27,0	32,0	14,0	19,0
6MJ-6MBSPACOR90	9/16-18	3/8-19	29,0	37,0	19,0	22,0
6MJ-8MBSPACOR90	9/16-18	1/2-14	31,0	43,0	22,0	27,0
8MJ-6MBSPACOR90	3/4-16	3/8-19	32,0	37,0	19,0	22,0
8MJ-4MBSPACOR90	3/4-16	1/4-19	32,0	37,0	19,0	19,0
8MJ-8MBSPACOR90	3/4-16	1/2-14	34,0	43,0	22,0	27,0
8MJ-12MBSPACOR90	3/4-16	3/4-14	36,0	50,0	27,0	36,0
10MJ-8MBSPACOR90	7/8-14	1/2-14	37,0	43,0	22,0	27,0
10MJ-6MBSPACOR90	7/8-14	3/8-19	37,0	36,0	22,0	22,0
10MJ-12MBSPACOR90	7/8-14	3/4-14	39,0	50,0	27,0	36,0
12MJ-12MBSPACOR90	1 1/16-12	3/4-14	42,0	50,0	27,0	36,0
12MJ-8MBSPACOR90	1 1/16-12	1/2-14	42,0	50,0	27,0	27,0
12MJ-16MBSPACOR90	1 1/16-12	1-11	45,0	52,0	33,0	41,0
16MJ-16MBSPACOR90	1 5/16-12	1-11	46,0	52,0	33,0	41,0
16MJ-12MBSPACOR90	1 5/16-12	3/4-14	46,0	47,0	33,0	36,0
20MJ-20MBSPACOR90	1 5/8-12	1 1/4-11	52,0	57,0	41,0	50,0
24MJ-24MBSPACOR90	1 7/8-12	1 1/2-11	59,0	61,0	48,0	55,0

**JIC MJ-MBSPACOR45**

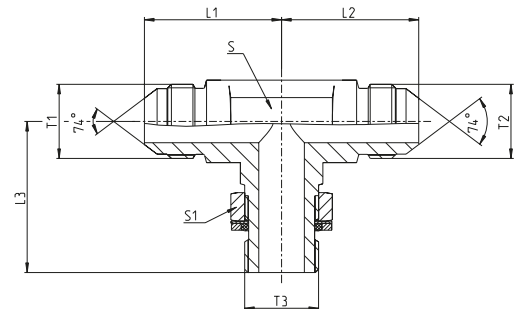
JIC 37° Male / Adjustable male BSPP 45° elbow with O-ring and retaining ring







						
REF.	T1	T2	L1	L2	S Flats	S1
JIC	JIC	BSPP	mm	mm	mm	mm
4MJ-2MBSPACOR45	7/16-20	1/8-28	18,0	27,0	11,0	14,0
4MJ-4MBSPACOR45	7/16-20	1/4-19	21,0	29,0	14,0	19,0
6MJ-4MBSPACOR45	9/16-18	1/4-19	21,0	29,0	14,0	19,0
6MJ-6MBSPACOR45	9/16-18	3/8-19	22,0	33,0	19,0	22,0
6MJ-8MBSPACOR45	9/16-18	1/2-14	22,0	39,0	22,0	27,0
8MJ-6MBSPACOR45	3/4-16	3/8-19	25,0	33,0	19,0	22,0
8MJ-8MBSPACOR45	3/4-16	1/2-14	25,0	39,0	22,0	27,0
10MJ-8MBSPACOR45	7/8-14	1/2-14	28,0	39,0	22,0	27,0
10MJ-12MBSPACOR45	7/8-14	3/4-14	30,0	44,0	27,0	36,0
12MJ-12MBSPACOR45	1 1/16-12	3/4-14	33,0	44,0	27,0	36,0
16MJ-16MBSPACOR45	1 5/16-12	1-11	37,0	47,0	33,0	41,0

**JIC MJ-MJ-MBSPACOR**

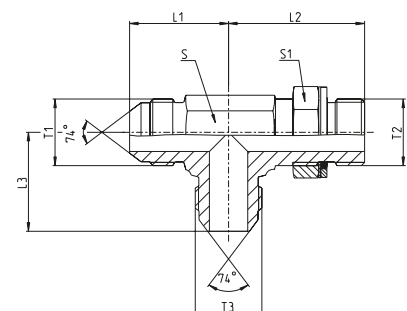
JIC 37° Male / Male / Adjustable male BSPP with O-ring and retaining ring "Branch T"







							
REF.	T1	T2	T3	L1 . L2	L3	S Flats	S1
JIC	JIC	JIC	BSPP	mm	mm	mm	mm
4MJ-4MJ-2MBSPACOR	7/16-20	7/16-20	1/8-28	23,0	27,0	11,0	14,0
6MJ-6MJ-4MBSPACOR	9/16-18	9/16-18	1/4-19	27,0	32,0	14,0	19,0
8MJ-8MJ-6MBSPACOR	3/4-16	3/4-16	3/8-19	32,0	37,0	19,0	22,0
8MJ-8MJ-8MBSPACOR	3/4-16	3/4-16	1/2-14	34,0	44,0	22,0	27,0
10MJ-10MJ-8MBSPACOR	7/8-14	7/8-14	1/2-14	27,0	43,0	22,0	27,0
12MJ-12MJ-12MBSPACOR	1 1/16-12	1 1/16-12	3/4-14	42,0	50,0	27,0	36,0
16MJ-16MJ-16MBSPACOR	1 5/16-12	1 5/16-12	1-11	46,0	52,0	33,0	41,0

**JIC MJ-MBSPACOR-MJ**

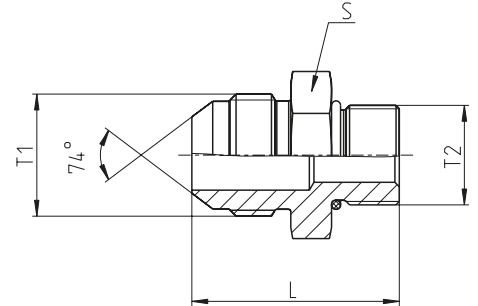
JIC 37° Male / Adjustable male BSPP with O-ring and retaining ring / Male "Run T"







							
REF.	T1	T2	T3	L1 . L3	L2	S Flats	S1
JIC	JIC	BSPP	JIC	mm	mm	mm	mm
4MJ-2MBSPACOR-4MJ	7/16-20	1/8-28	7/16-20	23,0	27,0	11,0	14,0
6MJ-4MBSPACOR-6MJ	9/16-18	1/4-19	9/16-18	27,0	32,0	14,0	19,0
8MJ-6MBSPACOR-8MJ	3/4-16	3/8-19	3/4-16	32,0	37,0	19,0	22,0
10MJ-8MBSPACOR-10MJ	7/8-14	1/2-14	7/8-14	37,0	43,0	22,0	27,0
12MJ-12MBSPACOR-12MJ	1 1/16-12	3/4-14	1 1/16-12	42,0	50,0	27,0	27,0
16MJ-16MBSPACOR-16MJ	1 5/16-12	1-11	1 5/16-12	43,0	52,0	33,0	36,0

**JIC MJ-MB**

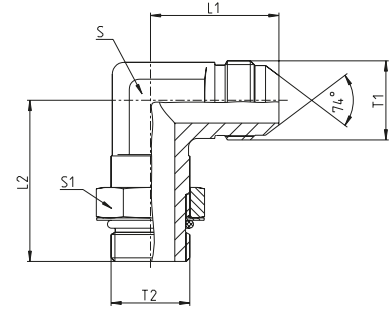
JIC 37° Male / Male UN/UNF SAE with O-ring







				
REF.	T1	T2	L	S
JIC	JIC	SAE O	mm	mm
4MJ-4MB	7/16-20	7/16-20	31,0	14,0
4MJ-6MB	7/16-20	9/16-18	33,0	17,0
5MJ-5MB	1/2-20	1/2-20	31,0	16,0
5MJ-4MB	1/2-20	7/16-20	31,0	14,0
5MJ-6MB	1/2-20	9/16-18	33,0	17,0
6MJ-6MB	9/16-18	9/16-18	33,0	17,0
6MJ-4MB	9/16-18	7/16-20	32,0	16,0
6MJ-8MB	9/16-18	3/4-16	35,0	22,0
6MJ-10MB	9/16-18	7/8-14	38,0	25,0
6MJ-12MB	9/16-18	1 1/16-12	41,0	32,0
8MJ-8MB	3/4-16	3/4-16	38,0	22,0
8MJ-6MB	3/4-16	9/16-18	37,0	19,0
8MJ-10MB	3/4-16	7/8-14	41,0	27,0
8MJ-12MB	3/4-16	1 1/16-12	45,0	32,0
10MJ-10MB	7/8-14	7/8-14	43,0	27,0
10MJ-8MB	7/8-14	3/4-16	42,0	24,0
10MJ-12MB	7/8-14	1 1/16-12	47,0	32,0
12MJ-12MB	1 1/16-12	1 1/16-12	50,0	32,0
12MJ-8MB	1 1/16-12	3/4-14	49,0	29,0
16MJ-16MB	1 5/16-12	1 5/16-12	52,0	38,0
16MJ-12MB	1 5/16-12	1 1/16-12	52,0	36,0
16MJ-20MB	1 5/16-12	1 5/8-12	54,0	48,0

**JIC MJ-MBA90**

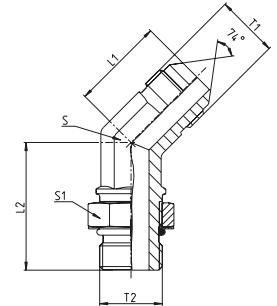
JIC 37° Male / Adjustable male UN/UNF SAE with O-ring 90° elbow







						
REF.	T1	T2	L1	L2	S Flats	S1
JIC	JIC	SAE O	mm	mm	mm	mm
4MJ-4MBA90	7/16-20	7/16-20	23,0	26,0	11,0	14,0
4MJ-6MBA90	7/16-20	9/16-18	27,0	32,0	14,0	17,0
5MJ-5MBA90	1/2-20	1/2-20	24,0	29,0	13,0	17,0
6MJ-6MBA90	9/16-18	9/16-18	27,0	32,0	14,0	17,0
6MJ-4MBA90	9/16-18	7/16-20	27,0	30,0	14,0	14,0
6MJ-8MBA90	9/16-18	3/4-16	29,0	37,0	19,0	22,0
8MJ-8MBA90	3/4-16	3/4-16	32,0	37,0	19,0	22,0
8MJ-10MBA90	3/4-16	7/8-14	34,0	43,0	22,0	27,0
10MJ-10MBA90	7/8-14	7/8-14	37,0	43,0	22,0	27,0
10MJ-12MBA90	7/8-14	1 1/16-12	39,0	49,0	27,0	32,0
12MJ-12MBA90	1 1/16-12	1 1/16-12	42,0	49,0	27,0	32,0
16MJ-16MBA90	1 5/16-12	1 5/16-12	46,0	52,0	33,0	41,0

**JIC MJ-MBA45**

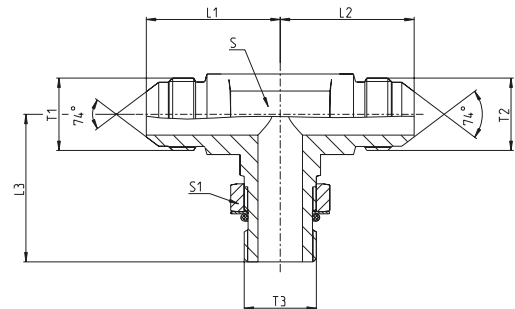
JIC 37° Male / Adjustable male UN/UNF SAE  
with O-ring 45° elbow







						
REF.	T1	T2	L1	L2	S Flats	S1
JIC	JIC	SAE O	mm	mm	mm	mm
4MJ-4MBA45	7/16-20	7/16-20	18,0	27,0	11,0	14,0
6MJ-6MBA45	9/16-18	9/16-18	21,0	29,0	14,0	17,0
6MJ-8MBA45	9/16-18	3/4-16	22,0	33,0	19,0	22,0
8MJ-8MBA45	3/4-16	3/4-16	25,0	33,0	19,0	22,0
8MJ-6MBA45	3/4-16	9/16-18	25,0	30,0	19,0	17,0
8MJ-10MBA45	3/4-16	7/8-14	25,0	39,0	22,0	25,0
10MJ-10MBA45	7/8-14	7/8-14	28,0	39,0	22,0	27,0
10MJ-8MBA45	7/8-14	3/4-16	28,0	35,0	22,0	22,0
12MJ-12MBA45	1 1/16-12	1 1/16-12	33,0	44,0	27,0	32,0
16MJ-16MBA45	1 5/16-12	1 5/16-12	37,0	47,0	33,0	38,0

**JIC MJ-MJ-MBA**

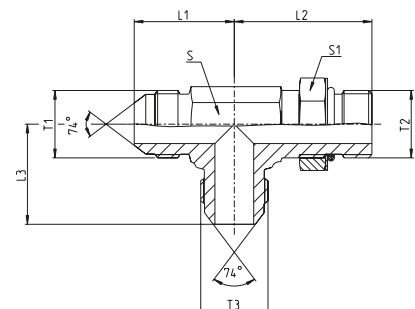
JIC 37° Male / Male / Adjustable male UN/UNF SAE with O-ring "Branch T"







							
REF.	T1	T2	T3	L1 . L2	L3	S Flats	S1
JIC	JIC	JIC	SAE O	mm	mm	mm	mm
4MJ-4MJ-4MBA	7/16-20	7/16-20	7/16-20	23,0	26,0	11,0	14,0
5MJ-5MJ-5MBA	1/2-20	1/2-20	1/2-20	25,0	29,0	14,0	16,0
6MJ-6MJ-6MBA	9/16-18	9/16-18	9/16-18	27,0	32,0	14,0	17,0
8MJ-8MJ-8MBA	3/4-16	3/4-16	3/4-16	22,0	37,0	19,0	22,0
10MJ-10MJ-10MBA	7/8-14	7/8-14	7/8-14	37,0	43,0	22,0	27,0
12MJ-12MJ-12MBA	1 1/16-12	1 1/16-12	1 1/16-12	42,0	49,0	27,0	32,0
16MJ-16MJ-16MBA	1 5/16-12	1 5/16-12	1 5/16-12	46,0	52,0	33,0	27,0

**JIC MJ-MBA-MJ**

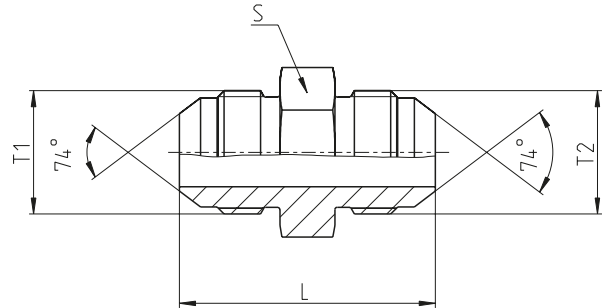
JIC 37° Male / Adjustable male UN/UNF SAE with O-ring / Male "Run T"







							
REF.	T1	T2	T3	L1 . L3	L2	S Flats	S1
JIC	JIC	SAE O	JIC	mm	mm	mm	mm
4MJ-4MBA-4MJ	7/16-20	7/16-20	7/16-20	23,0	26,0	11,0	14,0
5MJ-5MBA-5MJ	1/2-20	1/2-20	1/2-20	25,0	29,0	14,0	16,0
6MJ-6MBA-6MJ	9/16-18	9/16-18	9/16-18	27,0	32,0	14,0	17,0
8MJ-8MBA-8MJ	3/4-16	3/4-16	3/4-16	22,0	37,0	19,0	22,0
10MJ-10MBA-10MJ	7/8-14	7/8-14	7/8-14	37,0	43,0	22,0	27,0
12MJ-12MBA-12MJ	1 1/16-12	1 1/16-12	1 1/16-12	42,0	49,0	27,0	32,0
16MJ-16MBA-16MJ	1 5/16-12	1 5/16-12	1 5/16-12	46,0	52,0	33,0	27,0

**JIC MJ-MJ**

JIC 37° Male / Male

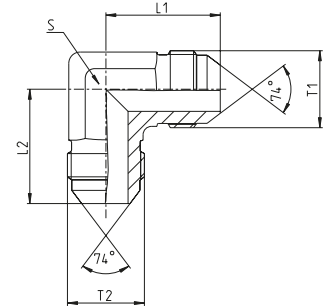






				
REF.	T1	T2	L	S
JIC	JIC	JIC	mm	mm
4MJ-4MJ	7/16-20	7/16-20	35,0	13,0
4MJ-2MJ	7/16-20	5/16-24	32,0	13,0
5MJ-5MJ	1/2-20	1/2-20	35,0	14,0
5MJ-4MJ	1/2-20	7/16-20	35,0	14,0
6MJ-6MJ	9/16-18	9/16-18	36,0	17,0
6MJ-4MJ	9/16-18	7/16-20	36,0	17,0
8MJ-8MJ	3/4-16	3/4-16	41,0	19,0
8MJ-6MJ	3/4-16	9/16-18	39,0	19,0
10MJ-10MJ	7/8-14	7/8-14	48,0	24,0
10MJ-8MJ	7/8-14	3/4-16	45,0	24,0
12MJ-12MJ	1 1/16-12	1 1/16-12	55,0	27,0
16MJ-16MJ	1 5/16-12	1 5/16-12	57,0	36,0



**JIC MJ-MJ90**

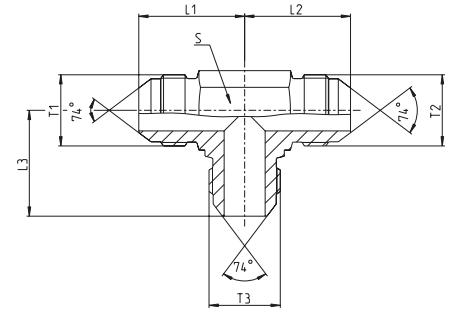
JIC 37° Male / Male 90° elbow







					
REF.	T1	T2	L1	L2	S Flats
JIC	JIC	JIC	mm	mm	mm
4MJ-4MJ90	7/16-20	7/16-20	23,0	23,0	11,0
5MJ-5MJ90	1/2-20	1/2-20	24,0	24,0	13,0
6MJ-6MJ90	9/16-18	9/16-18	27,0	27,0	14,0
6MJ-4MJ90	9/16-18	7/16-20	27,0	27,0	14,0
8MJ-8MJ90	3/4-16	3/4-16	32,0	32,0	19,0
8MJ-6MJ90	3/4-16	9/16-18	32,0	29,0	19,0
10MJ-10MJ90	7/8-14	7/8-14	37,0	37,0	22,0
10MJ-8MJ90	7/8-14	3/4-16	37,0	34,0	22,0
12MJ-12MJ90	1 1/16-12	1 1/16-12	42,0	42,0	27,0
16MJ-16MJ90	1 5/16-12	1 5/16-12	46,0	46,0	33,0

**JIC MJ-MJ-MJ**

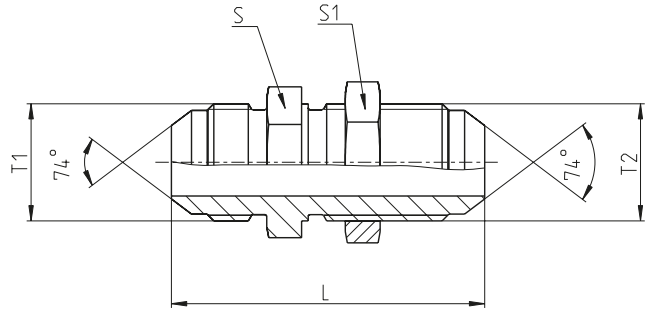
JIC 37° Male / Male / Male "T"







						
REF.	T1	T2	T3	L1 . L2	L3	S Flats
JIC	JIC	JIC	JIC	mm	mm	mm
4MJ-4MJ-4MJ	7/16-20	7/16-20	7/16-20	23,0	23,0	14,0
5MJ-5MJ-5MJ	1/2-20	1/2-20	1/2-20	24,0	24,0	13,0
6MJ-6MJ-6MJ	9/16-18	9/16-18	9/16-18	27,0	27,0	14,0
8MJ-8MJ-8MJ	3/4-16	3/4-16	3/4-16	32,0	32,0	19,0
10MJ-10MJ-10MJ	7/8-14	7/8-14	7/8-14	37,0	37,0	22,0
12MJ-12MJ-12MJ	1 1/16-12	1 1/16-12	1 1/16-12	42,0	42,0	27,0
16MJ-16MJ-16MJ	1 5/16-12	1 5/16-12	1 5/16-12	46,0	46,0	33,0

**JIC MJ-MJBKHD**

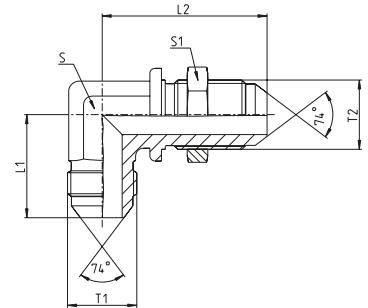
JIC 37° Male / Male bulkhead union  
 with lock nut







				
REF.	T1	T2	L	S . S1
JIC	JIC	JIC	mm	mm
4MJ-4MJBKHD	7/16-20	7/16-20	53,0	17,0
5MJ-5MJBKHD	1/2-20	1/2-20	53,0	19,0
6MJ-6MJBKHD	9/16-18	9/16-18	55,0	22,0
8MJ-8MJBKHD	3/4-16	3/4-16	62,0	24,0
10MJ-10MJBKHD	7/8-14	7/8-14	70,0	30,0
12MJ-12MJBKHD	1 1/16-12	1 1/16-12	79,0	36,0
16MJ-16MJBKHD	1 5/16-12	1 5/16-12	80,0	41,0

### JIC MJ-MJBKHD90

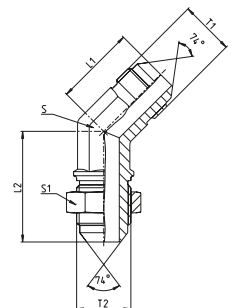
JIC 37° Male / Male bulkhead 90° union elbow with lock nut







						
REF.	T1	T2	L1	L2	S Flats	S1
JIC	JIC	JIC	mm	mm	mm	mm
4MJ-4MJBKHD90	7/16-20	7/16-20	25,0	40,0	11,0	17,0
5MJ-5MJBKHD90	1/2-20	1/2-20	27,0	44,0	13,0	19,0
6MJ-6MJBKHD90	9/16-18	9/16-18	28,0	46,0	14,0	22,0
8MJ-8MJBKHD90	3/4-16	3/4-16	36,0	54,0	19,0	24,0
10MJ-10MJBKHD90	7/8-14	7/8-14	40,0	61,0	22,0	30,0
12MJ-12MJBKHD90	1 1/16-12	1 1/16-12	45,0	68,0	27,0	36,0
16MJ-16MJBKHD90	1 5/16-12	1 5/16-12	49,0	71,0	33,0	41,0

### JIC MJ-MJBKHD45

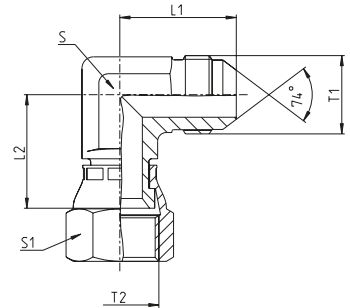
JIC 37° Male / Male bulkhead 45° union elbow with lock nut







						
REF.	T1	T2	L1	L2	S Flats	S1
JIC	JIC	JIC	mm	mm	mm	mm
4MJ-4MJBKHD45	7/16-20	7/16-20	18,0	39,0	11,0	17,0
5MJ-5MJBKHD45	1/2-20	1/2-20	20,0	42,0	14,0	19,0
6MJ-6MJBKHD45	9/16-18	9/16-18	21,0	42,0	14,0	22,0
8MJ-8MJBKHD45	3/4-16	3/4-16	25,0	49,0	19,0	24,0
10MJ-10MJBKHD45	7/8-14	7/8-14	28,0	55,0	22,0	30,0
12MJ-12MJBKHD45	1 1/16-12	1 1/16-12	33,0	62,0	27,0	36,0
16MJ-16MJBKHD45	1 5/16-12	1 5/16-12	37,0	65,0	33,0	41,0

**JIC MJ-FJX90**

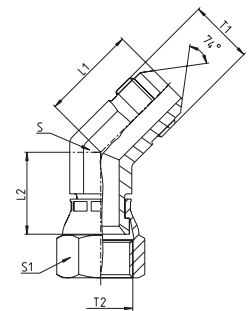
JIC 37° Male / Female swivel 90° elbow







						
REF.	T1	T2	L1	L2	S Flats	S1
JIC	JIC	JIC F	mm	mm	mm	mm
4MJ-4FJX90	7/16-20	7/16-20	23,0	17,0	11,0	14,0
5MJ-5FJX90	1/2-20	1/2-20	24,0	17,0	13,0	17,0
6MJ-6FJX90	9/16-18	9/16-18	27,0	22,0	14,0	19,0
8MJ-8FJX90	3/4-16	3/4-16	32,0	24,0	19,0	22,0
10MJ-10FJX90	7/8-14	7/8-14	37,0	28,0	22,0	27,0
12MJ-12FJX90	1 1/16-12	1 1/16-12	42,0	30,0	27,0	32,0
14MJ-14FJX90	1 3/16-12	1 3/16-12	46,0	34,0	33,0	35,0
16MJ-16FJX90	1 5/16-12	1 5/16-12	46,0	36,0	33,0	38,0

**JIC MJ-FJX45**

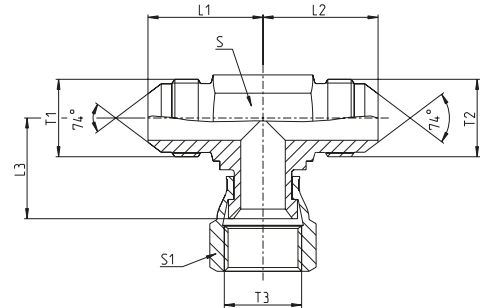
JIC 37° Male / Female swivel 45° elbow







						
REF.	T1	T2	L1	L2	S Flats	S1
JIC	JIC	JIC F	mm	mm	mm	mm
4MJ-4FJX45	7/16-20	7/16-20	18,0	15,0	11,0	14,0
5MJ-5FJX45	1/2-20	1/2-20	20,0	16,0	14,0	17,0
6MJ-6FJX45	9/16-18	9/16-18	21,0	19,0	14,0	19,0
8MJ-8FJX45	3/4-16	3/4-16	25,0	22,0	19,0	22,0
10MJ-10FJX45	7/8-14	7/8-14	28,0	24,0	22,0	27,0
12MJ-12FJX45	1 1/16-12	1 1/16-12	33,0	24,0	27,0	32,0
16MJ-16FJX45	1 5/16-12	1 5/16-12	37,0	29,0	33,0	38,0

**JIC MJ-MJ-FJX**

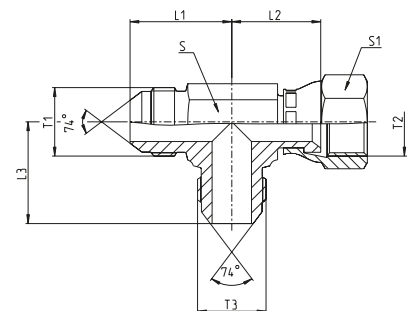
JIC 37° Male / Male / Female swivel "Branch T"







							
REF.	T1	T2	T3	L1 . L2	L3	S Flats	S1
JIC	JIC	JIC	JIC F	mm	mm	mm	mm
4MJ-4MJ-4FJX	7/16-20	7/16-20	7/16-20	23,0	17,0	11,0	14,0
5MJ-5MJ-5FJX	1/2-20	1/2-20	1/2-20	24,0	17,0	13,0	17,0
6MJ-6MJ-6FJX	9/16-18	9/16-18	9/16-18	27,0	22,0	14,0	19,0
8MJ-8MJ-8FJX	3/4-16	3/4-16	3/4-16	32,0	24,0	19,0	22,0
10MJ-10MJ-10FJX	7/8-14	7/8-14	7/8-14	37,0	28,0	22,0	27,0
12MJ-12MJ-12FJX	1 1/16-12	1 1/16-12	1 1/16-12	42,0	38,0	27,0	32,0
16MJ-16MJ-16FJX	1 5/16-12	1 5/16-12	1 5/16-12	46,0	36,0	33,0	38,0

**JIC MJ-FJX-MJ**

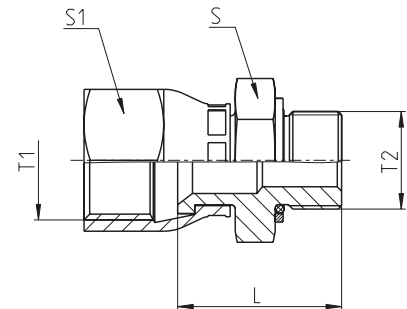
JIC 37° Male / Female swivel / Male "Run T"







							
REF.	T1	T2	T3	L1 . L3	L2	S Flats	S1
JIC	JIC	JIC F	JIC	mm	mm	mm	mm
4MJ-4FJX-4MJ	7/16-20	7/16-20	7/16-20	23,0	17,0	11,0	14,0
5MJ-5FJX-5MJ	1/2-20	1/2-20	1/2-20	24,0	17,0	13,0	17,0
6MJ-6FJX-6MJ	9/16-18	9/16-18	9/16-18	27,0	22,0	14,0	19,0
8MJ-8FJX-8MJ	3/4-16	3/4-16	3/4-16	32,0	24,0	19,0	22,0
10MJ-10FJX-10MJ	7/8-14	7/8-14	7/8-14	37,0	28,0	22,0	27,0
12MJ-12FJX-12MJ	1 1/16-12	1 1/16-12	1 1/16-12	42,0	38,0	27,0	32,0
14MJ-14FJX-14MJ	1 3/16-12	1 3/16-12	1 3/16-12	46,0	34,0	33,0	35,0
16MJ-16FJX-16MJ	1 5/16-12	1 5/16-12	1 5/16-12	46,0	36,0	33,0	38,0

**JIC FJX-MBSPCOR**

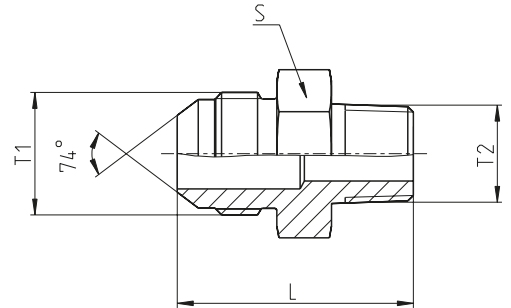
JIC 37° Female swivel / Male BSPP with O-ring and retaining ring







					
REF.	T1	T2	L	S	S1 Swivel
JIC	JIC F	BSPP	mm	mm	mm
4FJX-2MBSPCOR	7/16-20	1/8-28	24,6	17,0	14,0
4FJX-4MBSPCOR	7/16-20	1/4-19	27,2	19,0	14,0
5FJX-2MBSPCOR	1/2-20	1/8-28	24,6	16,0	17,0
6FJX-4MBSPCOR	9/16-18	1/4-19	29,2	19,0	19,0
6FJX-6MBSPCOR	9/16-18	3/8-19	30,2	22,0	19,0
8FJX-6MBSPCOR	3/4-16	3/8-19	32,2	22,0	22,0
8FJX-8MBSPCOR	3/4-16	1/2-14	35,5	30,0	22,0
10FJX-8MBSPCOR	7/8-14	1/2-14	38,5	30,0	27,0
12FJX-12MBSPCOR	1 1/16-12	3/4-14	40,5	36,0	32,0
16FJX-16MBSPCOR	1 5/16-12	1-11	46,6	46,0	38,0
20FJX-20MBSPCOR	1 5/8-12	1 1/4-11	50,6	50,0	50,0
24FJX-24MBSPCOR	1 7/8-12	1 1/2-11	54,6	55,0	60,0

**JIC MJ-MP**

JIC 37° Male / Male NPT

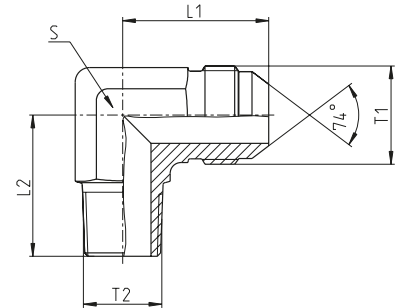






				
REF.	T1	T2	L	S
JIC	JIC	NPT	mm	mm
4MJ-2MP	7/16-20	Z1/8-27	31,0	16,0
4MJ-4MP	7/16-20	Z1/4-18	36,0	14,0
4MJ-6MP	7/16-20	Z3/8-18	37,0	19,0
5MJ-2MP	1/2-20	Z1/8-27	31,0	14,0
5MJ-4MP	1/2-20	Z1/4-18	36,0	14,0
6MJ-4MP	9/16-18	Z1/4-18	36,0	17,0
6MJ-6MP	9/16-18	Z3/8-18	36,0	19,0
6MJ-8MP	9/16-18	Z1/2-14	43,0	22,0
8MJ-6MP	3/4-16	Z3/8-18	39,0	19,0
8MJ-8MP	3/4-16	Z1/2-14	46,0	22,0
8MJ-12MP	3/4-16	Z3/4-14	47,0	27,0
10MJ-8MP	7/8-14	Z1/2-14	48,0	24,0
10MJ-6MP	7/8-14	Z3/8-18	43,0	24,0
10MJ-12MP	7/8-14	Z3/4-14	50,0	27,0
12MJ-12MP	1 1/16-12	Z3/4-14	52,0	27,0
16MJ-16MP	1 5/16-12	Z1-11.5	57,0	36,0



**JIC MJ-MP90**

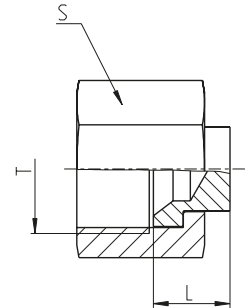
JIC 37° Male / Male NPT 90° elbow







					
REF.	T1	T2	L1	L2	S Flats
JIC	JIC	NPT	mm	mm	mm
4MJ-2MP90	7/16-20	Z1/8-27	23,0	20,0	11,0
4MJ-4MP90	7/16-20	Z1/4-18	27,0	28,0	14,0
6MJ-4MP90	9/16-18	Z1/4-18	27,0	28,0	14,0
6MJ-6MP90	9/16-18	Z3/8-18	29,0	31,0	19,0
6MJ-8MP90	9/16-18	Z1/2-14	31,0	37,0	22,0
8MJ-8MP90	3/4-16	Z1/2-14	34,0	37,0	22,0
10MJ-8MP90	7/8-14	Z1/2-14	37,0	37,0	22,0
12MJ-12MP90	1 1/16-12	Z3/4-14	42,0	40,0	27,0
16MJ-16MP90	1 5/16-12	Z1-11.5	46,0	50,0	33,0

**JIC FJ CAP**

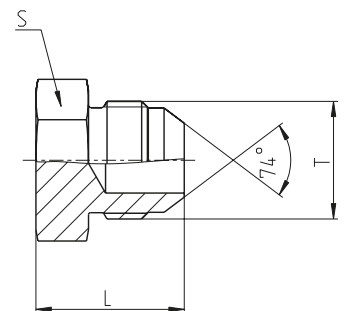
JIC 37° Female swivel cap







			
REF.	T	L	S
JIC	JIC	mm	mm
4FJ-CAP	7/16-20	9,0	14,0
5FJ-CAP	1/2-20	10,0	17,0
6FJ-CAP	9/16-18	12,0	19,0
8FJ-CAP	3/4-16	14,0	22,0
10FJ-CAP	7/8-14	14,0	27,0
12FJ-CAP	1 1/16-12	17,0	32,0
16FJ-CAP	1 5/16-12	16,0	41,0

**JIC MJ PLUG**

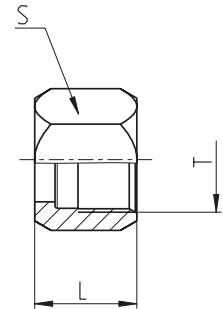
JIC 37° Male plug







			
REF.	T	L	S
JIC	JIC	mm	mm
4MJ-PLUG	7/16-20	20,0	13,0
5MJ-PLUG	1/2-20	20,0	14,0
6MJ-PLUG	9/16-18	21,0	17,0
8MJ-PLUG	3/4-16	24,0	19,0
10MJ-PLUG	7/8-14	28,0	24,0
12MJ-PLUG	1 1/16-12	33,0	27,0
16MJ-PLUG	1 5/16-12	34,0	36,0

**JIC FJ NUT**

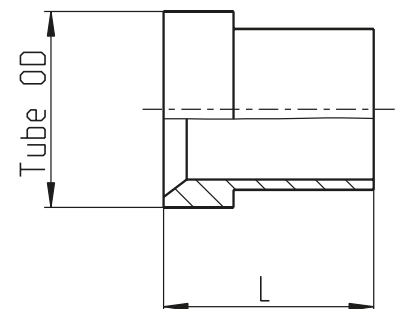
JIC 37° Female nut





			
REF.	T	L	S
JIC	JIC	mm	mm
4FJ-NUT	7/16-20	15,8	14,0
5FJ-NUT	1/2-20	17,3	17,0
6FJ-NUT	9/16-18	18,5	19,0
8FJ-NUT	3/4-16	21,6	22,0
10FJ-NUT	7/8-14	24,9	27,0
12FJ-NUT	1 1/16-12	26,2	32,0
16FJ-NUT	1 5/16-12	28,7	41,0
20FJ-NUT	1 5/8-12	31,2	50,0
24FJ-NUT	1 7/8-12	36,1	60,0

**JIC TS METRIC**

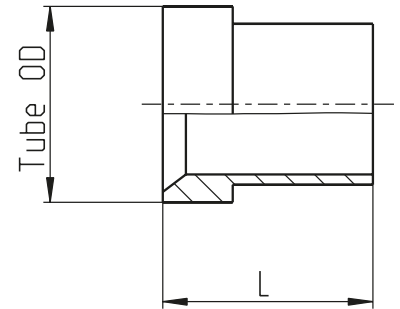
JIC 37° Tube end sleeve for metric tubes





		
REF.	Tube OD	L
JIC	mm	mm
6TS	6	10,4
8TS	8	11,2
10TS	10	12,7
12TS	12	14,2
16TS	16	16,8
20TS	20	17,3
25TS	25	19,8
30TS	30	23,1
38TS	38	28,4

**JIC TS IMPERIAL**

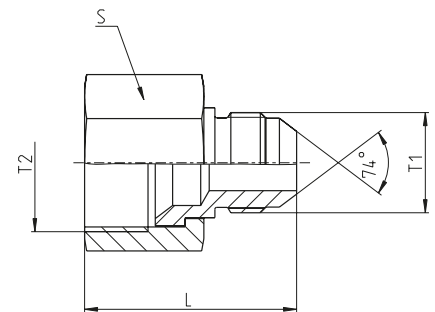
JIC 37° Tube end sleeve for imperial tubes







		
REF.	Tube OD	L
JIC	inches	mm
TS04	1/4	10,4
TS05	5/16	11,2
TS06	3/8	12,7
TS08	1/2	14,2
TS10	5/8	16,8
TS12	3/4	17,3
TS16	1	19,8

**JIC FJX-MJ**

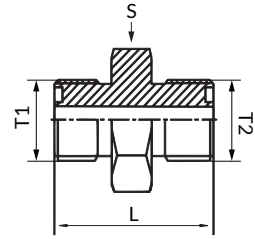
JIC 37° Female swivel / Male tube reducer



				
REF.	T1	T2	L	S
JIC	JIC F	JIC	mm	mm
6FJX-4MJ	9/16-18	7/16-20	23,0	19,0
8FJX-6MJ	3/4-16	9/16-18	23,0	22,0
10FJX-4MJ	7/8-14	7/16-20	26,0	27,0
10FJX-6MJ	7/8-14	9/16-18	29,0	27,0
10FJX-8MJ	7/8-14	3/4-16	22,0	27,0
12FJX-4MJ	1 1/16-12	7/16-20	28,0	32,0
12FJX-8MJ	1 1/16-12	3/4-16	27,0	32,0
12FJX-10MJ	1 1/16-12	7/8-14	26,0	32,0
16FJX-6MJ	1 5/16-12	9/16-18	31,0	41,0
16FJX-10MJ	1 5/16-12	7/8-14	30,0	41,0
16FJX-12MJ	1 5/16-12	1 1/16-12	35,0	41,0
24FJX-16MJ	1 7/8-12	1 5/16-12	41,0	60,0

### ORFS MFFOR-MFFOR

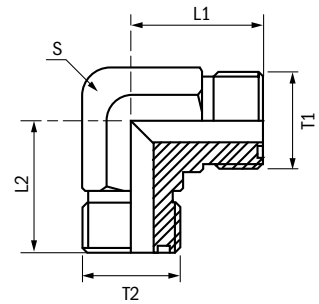
SAE flat face O-Ring male / male



THREAD		LENGTH		HEX/FLATS	WORKING PRESSURE	ADAPTOR
T1	T2	L	S	WP	REF.	
ORFS	ORFS	mm	mm	bar	ORFS	
9/16"-18	9/16"-18	27.4	17.0	630	4MFFOR-4MFFOR	
1 1/16"-16	9/16"-18	29.7	19.0	630	6MFFOR-4MFFOR	
1 1/16"-16	1 1/16"-16	31.0	19.0	630	6MFFOR-6MFFOR	
1 3/16"-16	1 1/16"-16	33.8	22.0	630	8MFFOR-6MFFOR	
1 3/16"-16	1 3/16"-16	35.5	22.0	630	8MFFOR-8MFFOR	
1"-14	1 3/16"-16	39.9	27.0	400	10MFFOR-8MFFOR	
1"-14	1"-14	42.5	27.0	400	10MFFOR-10MFFOR	
1 3/16"-12	1 3/16"-16	43.0	32.0	400	12MFFOR-8MFFOR	
1 3/16"-12	1"-14	45.7	32.0	400	12MFFOR-10MFFOR	
1 3/16"-12	1 3/16"-12	47.2	32.0	400	12MFFOR-12MFFOR	
1 7/16"-12	1 3/16"-12	48.8	41.0	400	16MFFOR-12MFFOR	
1 7/16"-12	1 7/16"-12	49.3	41.0	400	16MFFOR-16MFFOR	
1 1 1/16"-12	1 7/16"-12	51.3	46.0	250	20MFFOR-16MFFOR	
1 1 1/16"-12	1 1 1/16"-12	51.3	46.0	250	20MFFOR-20MFFOR	
2"-12	2"-12	53.0	55.0	250	24MFFOR-24MFFOR	

### ORFS MFFOR-MFFOR90

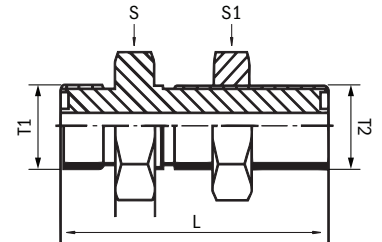
SAE flat face O-Ring male / male 90° elbow



THREAD		LENGTH		HEX/FLATS	WORKING PRESSURE	ADAPTOR
T1	T2	L1	L2	S	WP	REF.
ORFS	ORFS	mm	mm	mm	bar	ORFS
9/16"-18	9/16"-18	21.6	21.6	14.0	630	4MFFOR-4MFFOR90
1 1/16"-16	1 1/16"-16	24.9	24.9	19.0	630	6MFFOR-6MFFOR90
1 3/16"-16	1 3/16"-16	28.0	28.0	19.0	630	8MFFOR-8MFFOR90
1"-14	1"-14	33.3	33.3	27.0	400	10MFFOR-10MFFOR90
1 3/16"-12	1 3/16"-16	37.5	37.5	30.0	400	12MFFOR-12MFFOR90
1 7/16"-12	1 7/16"-12	41.7	41.7	36.0	400	16MFFOR-16MFFOR90
1 1 1/16"-12	1 1 1/16"-12	44.7	44.7	41.0	250	20MFFOR-20MFFOR90
2"-12	2"-12	48.8	48.8	50.0	250	24MFFOR-24MFFOR90

## ORFS MFFOR-MFFORBKHD

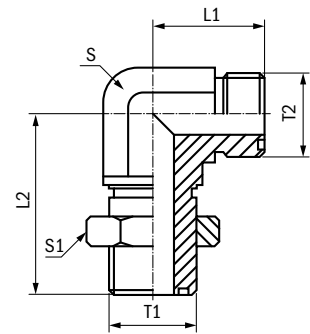
SAE flat face O-Ring male / male straight bulkhead



THREAD		LENGTH		HEX/FLATS		WORKING PRESSURE	ADAPTOR
T1	T2	L		S & S1		WP	REF.
ORFS	ORFS	mm		mm		bar	ORFS
3/16"-18	3/16"-18	48.3		22.0		630	4MFFOR-4MFFORBKHD
1/16"-16	1/16"-16	53.1		27.0		630	6MFFOR-6MFFORBKHD
13/16"-16	13/16"-16	58.4		30.0		630	8MFFOR-8MFFORBKHD
1"-14	1"-14	66.6		36.0		400	10MFFOR-10MFFORBKHD
1.3/16"-12	1.3/16"-12	69.1		41.0		400	12MFFOR-12MFFORBKHD
1.7/16"-12	1.7/16"-12	70.1		46.0		400	16MFFOR-16MFFORBKHD
1.11/16"-12	1.11/16"-12	70.1		50.0		250	20MFFOR-20MFFORBKHD
2"-12	2"-12	70.1		60.0		250	24MFFOR-24MFFORBKHD

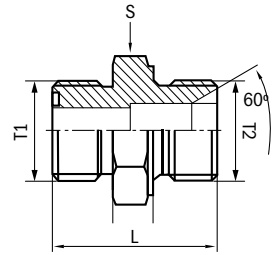
## ORFS MFFOR-MFFORBKHD90

SAE flat face O-Ring male / male bulkhead 90° union elbow with lock nut



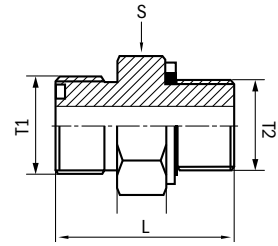
THREAD		LENGTH		HEX/FLATS		WORKING PRESSURE	ADAPTOR
T1	T2	L1	L2	S	S1	WP	REF.
ORFS	ORFS	mm	mm	mm	mm	bar	ORFS
3/16"-18	3/16"-18	22.6	47.0	14.0	22.0	630	4MFFOR-4MFFORBKHD90
1/16"-16	1/16"-16	26.0	52.0	19.0	27.0	630	6MFFOR-6MFFORBKHD90
13/16"-16	13/16"-16	29.0	55.4	19.0	30.0	630	8MFFOR-8MFFORBKHD90
1"-14	1"-14	34.5	63.0	27.0	36.0	400	10MFFOR-10MFFORBKHD90
1.3/16"-12	1.3/16"-12	38.5	67.2	30.0	41.0	400	12MFFOR-12MFFORBKHD90
1.7/16"-12	1.7/16"-12	42.4	71.1	36.0	46.0	400	16MFFOR-16MFFORBKHD90
1.11/16"-12	1.11/16"-12	45.5	75.4	41.0	50.0	250	20MFFOR-20MFFORBKHD90
2"-12	2"-12	49.5	79.5	48.0	60.0	250	24MFFOR-24MFFORBKHD90

ORFS MFFOR-MBSPP  
SAE flat face O-Ring male / male BSPP 60°



THREAD		LENGTH	HEX/FLATS	WORKING PRESSURE	ADAPTOR
T1	T2	L	S	WP	REF.
ORFS	BSPP	mm	mm	bar	ORFS
9/16"-18	1/8"-28	24.5	17.0	350	4MFFOR-2MBSPP
9/16"-18	1/4"-19	29.0	19.0	350	4MFFOR-4MBSPP
9/16"-18	3/8"-19	29.5	22.0	350	4MFFOR-6MBSPP
9/16"-18	1/2"-14	31.8	27.0	315	4MFFOR-8MBSPP
1 1/16"-16	1/8"-28	28.0	19.0	350	6MFFOR-2MBSPP
1 1/16"-16	1/4"-19	30.0	19.0	350	6MFFOR-4MBSPP
1 1/16"-16	3/8"-19	32.0	22.0	350	6MFFOR-6MBSPP
1 1/16"-16	1/2"-14	35.0	27.0	315	6MFFOR-8MBSPP
1 1/16"-16	3/4"-14	39.0	32.0	250	6MFFOR-12MBSPP
1 3/16"-16	1/4"-19	32.5	22.0	350	8MFFOR-4MBSPP
1 3/16"-16	3/8"-19	32.5	22.0	350	8MFFOR-6MBSPP
1 3/16"-16	1/2"-14	36.5	27.0	315	8MFFOR-8MBSPP
1 3/16"-16	3/4"-14	40.5	32.0	250	8MFFOR-12MBSPP
1"-14	3/8"-19	36.0	27.0	350	10MFFOR-6MBSPP
1"-14	1/2"-14	37.8	27.0	315	10MFFOR-8MBSPP
1"-14	5/8"-14	43.5	30.0	315	10MFFOR-10MBSPP
1"-14	3/4"-14	41.0	32.0	250	10MFFOR-12MBSPP
1"-14	1"-11	49.0	41.0	200	10MFFOR-16MBSPP
1 3/16"-12	1/2"-14	44.0	32.0	315	12MFFOR-8MBSPP
1 3/16"-12	5/8"-14	45.0	32.0	315	12MFFOR-10MBSPP
1 3/16"-12	3/4"-14	45.0	32.0	250	12MFFOR-12MBSPP
1 3/16"-12	1"-11	47.0	41.0	200	12MFFOR-16MBSPP
1 3/16"-12	1 1/4"-11	54.0	50.0	160	12MFFOR-20MBSPP
1 7/16"-12	3/4"-14	44.5	41.0	250	16MFFOR-12MBSPP
1 7/16"-12	1"-11	50.0	41.0	200	16MFFOR-16MBSPP
1 7/16"-12	1 1/4"-11	54.0	50.0	160	16MFFOR-20MBSPP
1 7/16"-12	1 1/2"-11	54.5	55.0	125	16MFFOR-24MBSPP
1 11/16"-12	1"-11	50.0	46.0	200	20MFFOR-16MBSPP
1 11/16"-12	1 1/4"-11	52.0	50.0	160	20MFFOR-20MBSPP
1 11/16"-12	1 1/2"-11	54.5	55.0	125	20MFFOR-24MBSPP
2"-12	1 1/2"-11	54.5	55.0	125	24MFFOR-24MBSPP

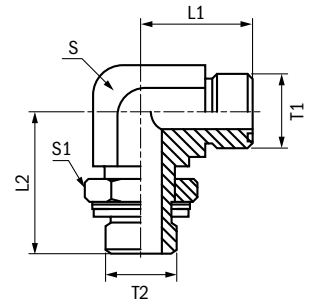
ORFS MFFOR-MBSPPCOR  
SAE flat face O-Ring male / male BSPP  
with O-Ring and retaining ring



THREAD		LENGTH	HEX/FLATS	WORKING PRESSURE	ADAPTOR
T1	T2	L	S	WP	REF.
ORFS	BSPP	mm	mm	bar	ORFS
9/16"-18	1/8"-28	25.0	17.0	200	4MFFOR-2MBSPPCOR
9/16"-18	1/4"-19	30.0	19.0	200	4MFFOR-4MBSPPCOR
9/16"-18	3/8"-19	31.0	22.0	200	4MFFOR-6MBSPPCOR
9/16"-18	1/2"-14	34.5	30.0	200	4MFFOR-8MBSPPCOR
1 1/16"-16	1/8"-28	28.5	19.0	630	6MFFOR-2MBSPPCOR
1 1/16"-16	1/4"-19	31.5	19.0	200	6MFFOR-4MBSPPCOR
1 1/16"-16	3/8"-19	32.5	22.0	200	6MFFOR-6MBSPPCOR
1 1/16"-16	1/2"-14	36.0	30.0	200	6MFFOR-8MBSPPCOR
1 1/16"-16	3/4"-14	36.5	36.0	400	6MFFOR-12MBSPPCOR
1 3/16"-16	1/4"-19	33.5	22.0	200	8MFFOR-4MBSPPCOR
1 3/16"-16	3/8"-19	33.5	22.0	200	8MFFOR-6MBSPPCOR
1 3/16"-16	1/2"-14	37.0	30.0	200	8MFFOR-8MBSPPCOR
1 3/16"-16	3/4"-14	38.0	36.0	200	8MFFOR-12MBSPPCOR
1"-14	3/8"-19	37.0	27.0	200	10MFFOR-6MBSPPCOR
1"-14	1/2"-14	39.5	30.0	200	10MFFOR-8MBSPPCOR
1"-14	5/8"-14	41.5	32.0	200	10MFFOR-10MBSPPCOR
1"-14	3/4"-14	43.5	36.0	200	10MFFOR-12MBSPPCOR
1"-14	1"-11	46.0	41.0	400	10MFFOR-16MBSPPCOR
1 3/16"-12	1/2"-14	44.0	32.0	200	12MFFOR-8MBSPPCOR
1 3/16"-12	3/4"-14	45.0	36.0	200	12MFFOR-12MBSPPCOR
1 3/16"-12	1"-11	47.5	41.0	200	12MFFOR-16MBSPPCOR
1 3/16"-12	1 1/4"-11	51.0	50.0	250	12MFFOR-20MBSPPCOR
1 7/16"-12	3/4"-14	43.0	36.0	200	16MFFOR-12MBSPPCOR
1 7/16"-12	1"-11	48.0	46.0	200	16MFFOR-16MBSPPCOR
1 7/16"-12	1 1/4"-11	51.5	50.0	160	16MFFOR-20MBSPPCOR
1 7/16"-12	1 1/2"-11	50.0	55.0	250	16MFFOR-24MBSPPCOR
1 11/16"-12	1"-11	51.5	50.0	200	20MFFOR-16MBSPPCOR
1 11/16"-12	1 1/4"-11	51.5	50.0	160	20MFFOR-20MBSPPCOR
1 11/16"-12	1 1/2"-11	50.0	55.0	250	20MFFOR-24MBSPPCOR
2"-12	1 1/2"-11	50.0	55.0	160	24MFFOR-24MBSPPCOR

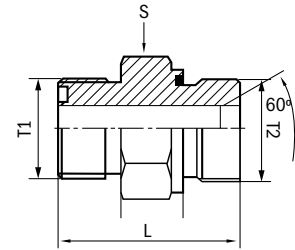


**ORFS MFFOR-MBSPPACOR90**  
 SAE flat face O-Ring male / male BSPP  
 90° elbow with O-Ring and retaining  
 ring



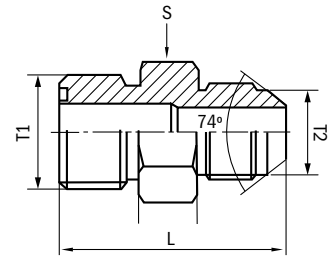
THREAD		LENGTH		HEX/FLATS		WORKING PRESSURE	ADAPTOR
T1	T2	L1	L2	S	S1	WP	REF.
ORFS	BSPP	mm	mm	mm	mm	bar	ORFS
1/16"-18	1/8"-28	21.5	30.0	14.0	14.0	200	4MFFOR-2MBSPPACOR90
1/16"-18	1/4"-19	23.5	35.0	14.0	19.0	200	4MFFOR-4MBSPPACOR90
1/16"-18	3/8"-19	25.0	38.0	19.0	22.0	200	4MFFOR-6MBSPPACOR90
1 1/16"-16	1/4"-19	25.0	36.0	19.0	19.0	200	6MFFOR-4MBSPPACOR90
1 1/16"-16	3/8"-19	26.5	38.0	19.0	22.0	200	6MFFOR-6MBSPPACOR90
1 1/16"-16	1/2"-14	29.5	48.0	22.0	27.0	200	6MFFOR-8MBSPPACOR90
1 3/16"-16	1/4"-19	28.0	35.0	19.0	19.0	200	8MFFOR-4MBSPPACOR90
1 3/16"-16	3/8"-19	28.0	36.5	19.0	22.0	200	8MFFOR-6MBSPPACOR90
1 3/16"-16	1/2"-14	31.0	48.0	27.0	27.0	200	8MFFOR-8MBSPPACOR90
1 3/16"-16	3/4"-14	30.7	49.0	27.0	36.0	200	8MFFOR-12MBSPPACOR90
1"-14	3/8"-19	35.5	43.0	27.0	22.0	200	10MFFOR-6MBSPPACOR90
1"-14	1/2"-14	33.5	48.0	27.0	27.0	200	10MFFOR-8MBSPPACOR90
1"-14	3/4"-14	36.0	51.5	30.0	36.0	200	10MFFOR-12MBSPPACOR90
1"-14	1"-11	41.2	58.0	36.0	41.0	200	10MFFOR-16MBSPPACOR90
1 3/16"-12	1/2"-14	37.5	49.0	30.0	27.0	200	12MFFOR-8MBSPPACOR90
1 3/16"-12	3/4"-14	37.5	51.5	30.0	36.0	200	12MFFOR-12MBSPPACOR90
1 3/16"-12	1"-11	41.5	58.0	36.0	41.0	200	12MFFOR-16MBSPPACOR90
1 7/16"-12	3/4"-14	42.0	57.5	36.0	36.0	200	16MFFOR-12MBSPPACOR90
1 7/16"-12	1"-11	42.0	58.0	36.0	41.0	200	16MFFOR-16MBSPPACOR90
1 7/16"-12	1 1/4"-11	44.5	60.5	41.0	50.0	160	16MFFOR-20MBSPPACOR90
1 11/16"-12	1"-11	44.7	60.5	41.0	41.0	200	20MFFOR-16MBSPPACOR90
1 11/16"-12	1 1/4"-11	44.7	60.5	41.0	50.0	160	20MFFOR-20MBSPPACOR90
1 11/16"-12	1 1/2"-11	49.0	64.5	48.0	55.0	160	20MFFOR-24MBSPPACOR90
2"-12	1 1/2"-11	49.0	64.5	48.0	55.0	160	24MFFOR-24MBSPPACOR90

**ORFS MFFOR-MBSPPWD**  
 SAE flat face O-Ring male / male BSPP  
 with captive seal



THREAD		LENGTH	HEX/FLATS	WORKING PRESSURE	ADAPTOR
T1	T2	L	S	WP	REF.
ORFS	BSPP	mm	mm	bar	ORFS
9/16"-18	1/8"-28	26.0	17.0	630	4MFFOR-2MBSPPWD
9/16"-18	1/4"-19	31.0	19.0	630	4MFFOR-4MBSPPWD
9/16"-18	3/8"-19	31.8	22.0	630	4MFFOR-6MBSPPWD
9/16"-18	1/2"-14	38.0	27.0	400	4MFFOR-8MBSPPWD
1 1/16"-16	1/8"-28	28.0	19.0	630	6MFFOR-2MBSPPWD
1 1/16"-16	1/4"-19	32.5	19.0	630	6MFFOR-4MBSPPWD
1 1/16"-16	3/8"-19	33.5	22.0	630	6MFFOR-6MBSPPWD
1 1/16"-16	1/2"-14	38.5	27.0	400	6MFFOR-8MBSPPWD
1 1/16"-16	3/4"-14	40.5	32.0	400	6MFFOR-12MBSPPWD
1 3/16"-16	1/4"-19	34.5	22.0	630	8MFFOR-4MBSPPWD
1 3/16"-16	3/8"-19	35.3	22.0	630	8MFFOR-6MBSPPWD
1 3/16"-16	1/2"-14	39.0	27.0	400	8MFFOR-8MBSPPWD
1 3/16"-16	3/4"-14	41.8	32.0	400	8MFFOR-12MBSPPWD
1"-14	3/8"-19	38.5	27.0	400	10MFFOR-6MBSPPWD
1"-14	1/2"-14	41.0	27.0	400	10MFFOR-8MBSPPWD
1"-14	5/8"-14	41.5	30.0	400	10MFFOR-10MBSPPWD
1"-14	3/4"-14	45.0	32.0	400	10MFFOR-12MBSPPWD
1"-14	1"-11	47.5	41.0	400	10MFFOR-16MBSPPWD
1.3/16"-12	1/2"-14	44.5	32.0	400	12MFFOR-8MBSPPWD
1.3/16"-12	3/4"-14	46.5	32.0	400	12MFFOR-12MBSPPWD
1.3/16"-12	1"-11	49.0	41.0	400	12MFFOR-16MBSPPWD
1.3/16"-12	1.1/4"-11	53.5	50.0	250	12MFFOR-20MBSPPWD
1.7/16"-12	3/4"-14	47.5	41.0	400	16MFFOR-12MBSPPWD
1.7/16"-12	1"-11	50.0	41.0	400	16MFFOR-16MBSPPWD
1.7/16"-12	1.1/4"-11	53.5	50.0	250	16MFFOR-20MBSPPWD
1.7/16"-12	1.1/2"-11	58.0	55.0	250	16MFFOR-24MBSPPWD
1.1 1/4"-12	1"-11	52.0	46.0	250	20MFFOR-16MBSPPWD
1.1 1/4"-12	1.1/4"-11	55.5	50.0	250	20MFFOR-20MBSPPWD
1.1 1/4"-12	1.1/2"-11	57.6	55.0	250	20MFFOR-24MBSPPWD
2"-12	1.1/2"-11	57.6	55.0	250	24MFFOR-24MBSPPWD

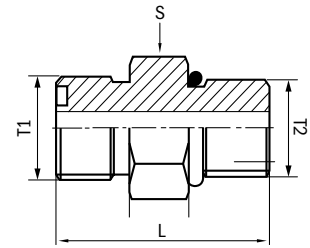
ORFS MFFOR-MJ  
SAE flat face O-Ring male / male JIC 37°



THREAD		LENGTH	HEX/FLATS	WORKING PRESSURE	ADAPTOR
T1	T2	L	S	WP	REF.
ORFS	JIC	mm	mm	bar	ORFS
3/16"-18	7/16"-20	31.7	17.0	350	4MFFOR-4MJ
1 1/16"-16	3/16"-18	34.0	19.0	350	6MFFOR-6MJ
1 3/16"-16	3/4"-16	39.4	22.0	310	8MFFOR-8MJ
1"-14	7/8"-14	46.5	27.0	240	10MFFOR-10MJ
1.3/16"-12	1.1/16"-12	52.1	32.0	240	12MFFOR-12MJ
1.7/16"-12	1.5/16"-12	54.9	41.0	210	16MFFOR-16MJ
1.11/16"-12	1.5/8"-12	58.2	46.0	170	20MFFOR-20MJ
2"-12	1.7/8"-12	63.0	55.0	140	24MFFOR-24MJ

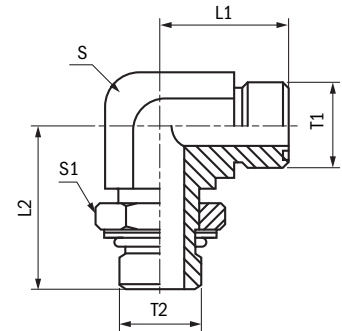
### ORFS MFFOR-MB

SAE flat face O-Ring male / male SAE  
'O' Ring boss



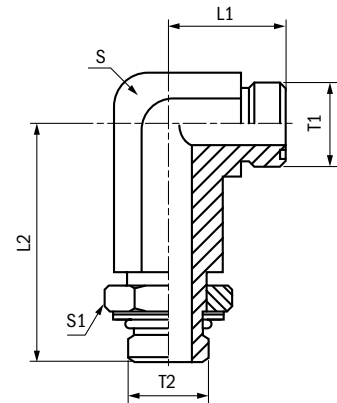
THREAD		LENGTH	HEX/FLATS	WORKING PRESSURE	ADAPTOR
T1	T2	L	S	WP	REF.
ORFS	SAE O	mm	mm	bar	ORFS
1/16"-18	7/16"-20 UNF	28.8	17.0	630	4MFFOR-4MB
1/16"-18	1/2"-20 UNF	29.0	17.0	630	4MFFOR-5MB
1/16"-18	9/16"-18 UNF	30.5	19.0	630	4MFFOR-6MB
1/16"-18	3/4"-16 UNF	33.5	22.0	630	4MFFOR-8MB
1 1/16"-16	7/16"-20 UNF	34.1	19.0	630	6MFFOR-4MB
1 1/16"-16	1/2"-20 UNF	30.8	19.0	630	6MFFOR-5MB
1 1/16"-16	9/16"-18 UNF	32.0	19.0	630	6MFFOR-6MB
1 1/16"-16	3/4"-16 UNF	35.1	22.0	630	6MFFOR-8MB
1 1/16"-16	7/8"-14 UNF	38.8	27.0	630	6MFFOR-10MB
1 1/16"-16	1 1/16"-12 UN	42.8	32.0	400	6MFFOR-12MB
1 3/16"-16	9/16"-18 UNF	37.4	22.0	400	8MFFOR-6MB
1 3/16"-16	3/4"-16 UNF	36.6	22.0	400	8MFFOR-8MB
1 3/16"-16	7/8"-14 UNF	40.5	27.0	400	8MFFOR-10MB
1 3/16"-16	1 1/16"-12 UN	45.4	32.0	400	8MFFOR-12MB
1 3/16"-16	1 5/16"-12 UN	45.6	41.0	400	8MFFOR-16MB
1"-14	3/4"-16 UNF	45.2	27.0	400	10MFFOR-8MB
1"-14	7/8"-14 UNF	43.0	27.0	400	10MFFOR-10MB
1"-14	1 1/16"-12 UN	47.2	32.0	400	10MFFOR-12MB
1 3/4"-12	3/4"-16 UNF	48.5	32.0	400	12MFFOR-8MB
1 3/4"-12	7/8"-14 UNF	50.6	32.0	400	12MFFOR-10MB
1 3/4"-12	1 1/16"-12 UN	48.6	32.0	400	12MFFOR-12MB
1 3/4"-12	1 5/16"-12 UN	49.5	41.0	400	12MFFOR-16MB
1 7/16"-12	1 1/16"-12 UN	54.4	41.0	400	16MFFOR-12MB
1 7/16"-12	1 5/16"-12 UN	50.3	41.0	400	16MFFOR-16MB
1 7/16"-12	1 5/8"-12 UN	52.5	50.0	250	16MFFOR-20MB
1 11/16"-12	1 5/16"-12 UN	57.9	46.0	250	20MFFOR-16MB
1 11/16"-12	1 5/8"-12 UN	52.5	50.0	250	20MFFOR-20MB
1 11/16"-12	1 7/8"-12 UN	54.0	55.0	250	20MFFOR-24MB
2"-12	1 5/8"-12 UN	59.6	55.0	250	24MFFOR-20MB
2"-12	1 7/8"-12 UN	54.1	55.0	250	24MFFOR-24MB
2"-12	2 1/2"-12 UN	54.2	70.0	125	24MFFOR-32MB

ORFS MFFOR-MBA90  
SAE flat face O-Ring male /  
male SAE 'O' Ring boss 90° elbow



THREAD		LENGTH		HEX/FLATS		WORKING PRESSURE	ADAPTOR
T1	T2	L1	L2	S	S1	WP	REF.
ORFS	SAE O	mm	mm	mm	mm	bar	ORFS
3/16"-18	7/16"-20 UNF	21.5	32.7	14.0	17.0	630	4MFFOR-4MBA90
3/16"-18	3/16"-18 UNF	23.4	36.8	19.0	19.0	630	4MFFOR-6MBA90
3/16"-18	3/4"-16 UNF	24.6	40.6	19.0	24.0	630	4MFFOR-8MBA90
1 1/16"-16	7/16"-20 UNF	25.0	35.0	19.0	17.0	630	6MFFOR-4MBA90
1 1/16"-16	3/16"-18 UNF	24.9	36.8	19.0	19.0	630	6MFFOR-6MBA90
1 1/16"-16	3/4"-16 UNF	26.5	40.6	19.0	24.0	630	6MFFOR-8MBA90
1 1/16"-16	7/8"-14 UNF	30.0	50.0	27.0	27.0	630	6MFFOR-10MBA90
1 1/16"-16	1 1/16"-12 UN	31.8	55.1	30.0	36.0	400	6MFFOR-12MBA90
1 3/16"-16	3/16"-18 UNF	28.0	36.6	19.0	19.0	630	8MFFOR-6MBA90
1 3/16"-16	3/4"-16 UNF	28.0	40.6	19.0	24.0	630	8MFFOR-8MBA90
1 3/16"-16	7/8"-14 UNF	31.5	50.0	27.0	27.0	630	8MFFOR-10MBA90
1 3/16"-16	1 1/16"-12 UN	34.0	55.0	30.0	36.0	400	8MFFOR-12MBA90
1"-14	3/4"-16 UNF	33.5	46.0	27.0	24.0	400	10MFFOR-8MBA90
1"-14	7/8"-14 UNF	33.3	50.0	27.0	27.0	400	10MFFOR-10MBA90
1"-14	1 1/16"-12 UN	35.8	55.1	30.0	36.0	400	10MFFOR-12MBA90
1.3 1/16"-12	3/4"-16 UNF	37.5	46.5	30.0	24.0	400	12MFFOR-8MBA90
1.3 1/16"-12	7/8"-14 UNF	37.5	50.9	30.0	27.0	400	12MFFOR-10MBA90
1.3 1/16"-12	1 1/16"-12 UN	37.5	55.0	30.0	36.0	400	12MFFOR-12MBA90
1.3 1/16"-12	1.5 1/16"-12 UN	41.0	59.7	36.0	41.0	400	12MFFOR-16MBA90
1.7 1/16"-12	1.1 1/16"-12 UN	41.7	58.9	36.0	36.0	400	16MFFOR-12MBA90
1.7 1/16"-12	1.5 1/16"-12 UN	41.7	59.7	36.0	41.0	400	16MFFOR-16MBA90
1.7 1/16"-12	1.5 8"-12 UN	44.7	62.2	41.0	50.0	250	16MFFOR-20MBA90
1.1 1/16"-12	1.5 1/16"-12 UN	44.7	62.2	41.0	41.0	250	20MFFOR-16MBA90
1.1 1/16"-12	1.5 8"-12 UN	44.5	62.0	41.0	50.0	250	20MFFOR-20MBA90
1.1 1/16"-12	1.7 8"-12 UN	48.8	65.8	50.0	55.0	200	20MFFOR-24MBA90
2"-12	1.5 8"-12 UN	49.0	66.0	50.0	50.0	250	24MFFOR-20MBA90
2"-12	1.7 8"-12 UN	49.0	66.0	50.0	55.0	250	24MFFOR-24MBA90

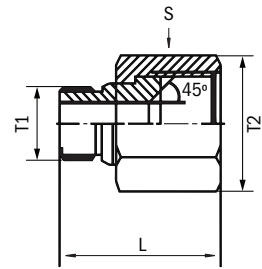
**ORFS MFFOR-MBA90 LONG**  
 SAE flat face O-Ring male / male SAE 'O'  
 Ring boss 90° elbow long version



THREAD		LENGTH		HEX/FLATS		WORKING PRESSURE	ADAPTOR
T1	T2	L1	L2	S	S1	WP	REF.
ORFS	SAE O	mm	mm	mm	mm	bar	ORFS
7/16"-18	7/16"-20 UNF	21.6	56.6	14.0	17.0	630	4MFFOR-4MBA90 LONG
7/16"-18	7/16"-18 UNF	23.4	66.3	19.0	19.0	630	4MFFOR-6MBA90 LONG
1 1/16"-16	7/16"-18 UNF	25.0	66.3	19.0	19.0	630	6MFFOR-6MBA90 LONG
1 1/16"-16	3/4"-16 UNF	26.4	74.9	19.0	24.0	630	6MFFOR-8MBA90 LONG
1 3/16"-16	3/4"-16 UNF	28.0	74.9	19.0	24.0	630	8MFFOR-8MBA90 LONG
1 3/16"-16	7/8"-14 UNF	30.7	89.2	27.0	27.0	400	8MFFOR-10MBA90 LONG
1"-14	7/8"-14 UNF	33.3	89.2	27.0	27.0	400	10MFFOR-10MBA90 LONG
1"-14	1 1/16"-12 UN	35.8	100.8	30.0	36.0	400	10MFFOR-12MBA90 LONG
1 3/16"-12	1 1/16"-12 UN	37.3	100.8	30.0	36.0	400	12MFFOR-12MBA90 LONG
1 3/16"-12	1 5/16"-12 UN	41.2	114.6	36.0	41.0	400	12MFFOR-16MBA90 LONG
1 7/16"-12	1 5/16"-12 UN	41.7	114.6	36.0	41.0	400	16MFFOR-16MBA90 LONG
1 7/16"-12	1 5/8"-12 UN	44.7	126.5	41.0	50.0	250	16MFFOR-20MBA90 LONG
1 1 1/16"-12	1 5/8"-12 UN	44.7	126.5	41.0	50.0	250	20MFFOR-20MBA90 LONG
2"-12	1 7/8"-12 UN	48.8	139.2	48.0	55.0	250	24MFFOR-24MBA90 LONG

### ORFS MFFOR-FFORX

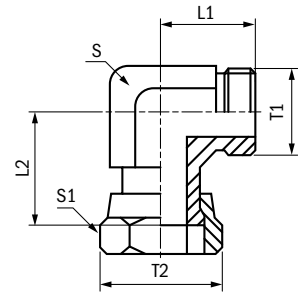
SAE flat face O-Ring female swivel / male



THREAD		LENGTH	HEX/FLATS	WORKING PRESSURE	ADAPTOR
T1	T2	L	S	WP	REF.
ORFS	ORFS F	mm	mm	bar	ORFS
1/16"-18	1/16"-18	18.6	17.0	630	4MFFOR-4FFORX
1/16"-18	1 1/16"-16	19.6	22.0	630	4MFFOR-6FFORX
1/16"-18	1 3/16"-16	21.8	24.0	630	4MFFOR-8FFORX
1/16"-18	1"-14	22.9	30.0	400	4MFFOR-10FFORX
1/16"-18	1 3/16"-12	24.9	36.0	400	4MFFOR-12FFORX
1 1/16"-16	1/16"-18	17.8	17.0	630	6MFFOR-4FFORX
1 1/16"-16	1 1/16"-16	20.5	22.0	630	6MFFOR-6FFORX
1 1/16"-16	1 3/16"-16	22.4	24.0	630	6MFFOR-8FFORX
1 3/16"-16	1"-14	24.2	30.0	400	6MFFOR-10FFORX
1 1/16"-16	1 3/16"-12	26.2	36.0	400	6MFFOR-12FFORX
1 1/16"-16	1 7/16"-12	27.6	41.0	400	6MFFOR-16FFORX
1 3/16"-16	1"-14	25.7	30.0	400	8MFFOR-10FFORX
1 3/16"-16	1 3/16"-12	27.7	36.0	400	8MFFOR-12FFORX
1 3/16"-16	1 7/16"-12	29.2	41.0	400	8MFFOR-16FFORX
1"-14	1 3/16"-12	30.4	36.0	400	10MFFOR-12FFORX
1"-14	1 7/16"-12	31.9	41.0	400	10MFFOR-16FFORX
1 3/16"-12	1 7/16"-12	33.0	41.0	400	12MFFOR-16FFORX
1 3/16"-12	1 1 1/16"-12	33.5	50.0	250	12MFFOR-20FFORX
1 7/16"-12	1 1 1/16"-12	38.5	50.0	250	16MFFOR-20FFORX
1 7/16"-12	2"-12	34.0	60.0	250	16MFFOR-24FFORX
1 1 1/16"-12	2"-12	34.0	60.0	250	20MFFOR-24FFORX

### ORFS MFFOR-FFORX90

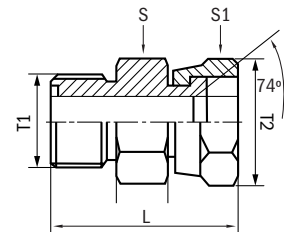
SAE flat face O-Ring male / female  
swivel 90° elbow



THREAD		LENGTH		HEX/FLATS		WORKING PRESSURE	ADAPTOR
T1	T2	L1	L2	S	S1	WP	REF.
ORFS	ORFS F	mm	mm	mm	mm	bar	ORFS
9/16"-18	9/16"-18	21.6	26.4	14.0	17.0	630	4MFFOR-4FFORX90
1 1/16"-16	1 1/16"-16	24.9	29.2	19.0	22.0	630	6MFFOR-6FFORX90
1 3/16"-16	1 3/16"-16	28.0	38.0	19.0	24.0	630	8MFFOR-8FFORX90
1"-14	1"-14	33.3	41.2	27.0	30.0	400	10MFFOR-10FFORX90
1 3/16"-12	1 3/16"-12	37.5	46.5	30.0	36.0	400	12MFFOR-12FFORX90
1 7/16"-12	1 7/16"-12	41.7	53.3	36.0	41.0	400	16MFFOR-16FFORX90
1 11/16"-12	1 11/16"-12	44.7	58.2	41.0	50.0	250	20MFFOR-20FFORX90
2"-12	2"-12	48.8	61.2	48.0	60.0	250	24MFFOR-24FFORX90

### ORFS MFFOR-FJX

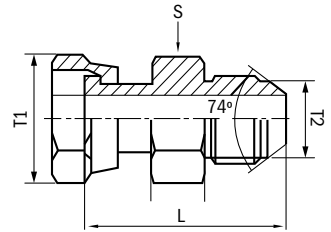
SAE flat face O-Ring male / female  
swivel JIC 37°



THREAD		LENGTH	HEX/FLATS		WORKING PRESSURE	ADAPTOR
T1	T2	L	S	S1	WP	REF.
ORFS	JIC F	mm	mm	mm	bar	ORFS
9/16"-18	7/16"-20	25.7	17.0	14.0	350	4MFFOR-4FJX
1 1/16"-16	9/16"-18	30.2	19.0	19.0	350	6MFFOR-6FJX
1 3/16"-16	3/4"-16	34.2	22.0	22.0	310	8MFFOR-8FJX
1"-14	7/8"-14	38.0	27.0	27.0	240	10MFFOR-10FJX
1 3/16"-12	1 1/16"-12	43.4	32.0	32.0	240	12MFFOR-12FJX
1 7/16"-12	1 5/16"-12	47.4	41.0	41.0	210	16MFFOR-16FJX
1 11/16"-12	1 5/8"-12	50.0	46.0	50.0	170	20MFFOR-20FJX
2"-12	1 7/8"-12	52.0	55.0	60.0	140	24MFFOR-24FJX



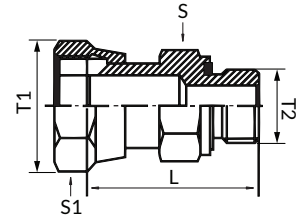
**ORFS FFORX-MJ**  
 SAE flat face O-Ring female  
 swivel / male JIC 37°



THREAD		LENGTH	HEX/FLATS		WORKING PRESSURE	ADAPTOR
T1	T2	L	S	S1	WP	REF.
ORFS F	JIC	mm	mm	mm	bar	ORFS
9/16"-18	7/16"-20	40.1	17.0	17.0	350	4FFORX-4MJ
1 1/16"-16	9/16"-18	42.0	19.0	22.0	350	6FFORX-6MJ
1 3/16"-16	3/4"-16	48.3	22.0	24.0	310	8FFORX-8MJ
1"-14	7/8"-14	57.1	27.0	30.0	240	10FFORX-10MJ
1.3/16"-12	1.1/16"-12	63.5	32.0	36.0	240	12FFORX-12MJ
1.7/16"-12	1.5/16"-12	67.3	41.0	41.0	210	16FFORX-16MJ
1.1 1/16"-12	1.5/8"-12	73.4	50.0	50.0	170	20FFORX-20MJ
2"-12	1.7/8"-12	71.0	50.0	60.0	140	24FFORX-24MJ

### ORFS FFORX-MBSPPWD

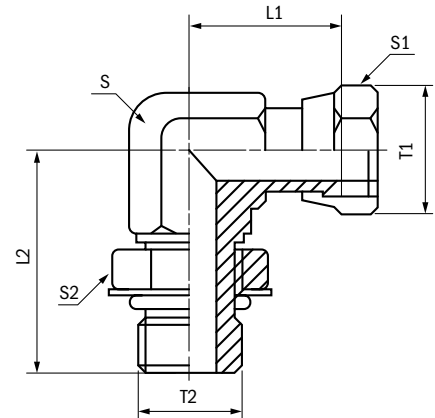
SAE flat face O-Ring female swivel / male  
BSPP with captive seal



THREAD		LENGTH	HEX/FLATS		WORKING PRESSURE	ADAPTOR
T1	T2	L	S	S1	WP	REF.
ORFS F	BSPP	mm	mm	mm	bar	ORFS
9/16"-18	1/8"-28	34.0	14.0	17.0	630	4FFORX-2MBSPPWD
9/16"-18	1/4"-19	38.0	19.0	17.0	630	4FFORX-4MBSPPWD
9/16"-18	3/8"-19	37.8	22.0	17.0	630	4FFORX-6MBSPPWD
1 1/16"-16	1/4"-19	40.0	19.0	22.0	630	6FFORX-4MBSPPWD
1 1/16"-16	3/8"-19	40.0	22.0	22.0	630	6FFORX-6MBSPPWD
1 1/16"-16	1/2"-14	46.0	27.0	22.0	400	6FFORX-8MBSPPWD
1 3/16"-16	1/4"-19	47.0	22.0	24.0	630	8FFORX-4MBSPPWD
1 3/16"-16	3/8"-19	47.0	22.0	24.0	630	8FFORX-6MBSPPWD
1 3/16"-16	1/2"-14	49.0	27.0	24.0	400	8FFORX-8MBSPPWD
1 3/16"-16	3/4"-14	51.0	32.0	24.0	400	8FFORX-12MBSPPWD
1"-14	5/8"-14	52.0	30.0	30.0	400	10FFORX-10MBSPPWD
1"-14	3/4"-14	54.0	32.0	30.0	400	10FFORX-12MBSPPWD
1 3/16"-12	1/2"-14	55.0	30.0	36.0	400	12FFORX-8MBSPPWD
1 3/16"-12	3/4"-14	57.0	32.0	36.0	400	12FFORX-12MBSPPWD
1 7/16"-12	3/4"-14	66.0	36.0	41.0	400	16FFORX-12MBSPPWD
1 7/16"-12	1"-11	67.0	41.0	41.0	400	16FFORX-16MBSPPWD
1 1 1/16"-12	1"-11	67.0	41.0	50.0	250	20FFORX-16MBSPPWD
1 1 1/16"-12	1 1/4"-11	69.0	50.0	50.0	250	20FFORX-20MBSPPWD
2"-12	1 1/2"-11	72.0	55.0	60.0	250	24FFORX-24MBSPPWD

### ORFS FFORX-MBA90

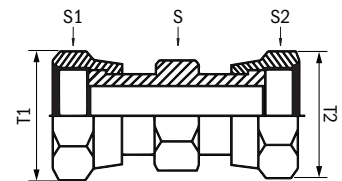
SAE flat face O-Ring female swivel / male  
SAE 'O' Ring boss 90° elbow



THREAD		LENGTH		HEX/FLATS			WORKING PRESSURE	ADAPTOR
T1	T2	L1	L2	S	S1	S2	WP	REF.
ORFS F	SAE O	mm	mm	mm	mm	mm	bar	ORFS
3/16"-18	7/16"-20 UNF	26.4	32.8	14.0	17.0	17.0	315	4FFORX-4MBA90
1 1/16"-16	9/16"-18 UNF	31.0	36.8	19.0	22.0	19.0	315	6FFORX-6MBA90
1 3/16"-16	3/4"-16 UNF	38.0	40.5	19.0	24.0	24.0	315	8FFORX-8MBA90
1"-14	7/8"-14 UNF	41.2	50.0	27.0	30.0	27.0	250	10FFORX-10MBA90
1 3/16"-12	1 1/16"-12 UN	46.5	55.0	30.0	36.0	36.0	250	12FFORX-12MBA90
1 7/16"-12	1 5/16"-12 UN	53.5	59.5	36.0	41.0	41.0	200	16FFORX-16MBA90
1 11/16"-12	1 5/8"-12 UN	58.2	62.2	41.0	50.0	50.0	160	20FFORX-20MBA90
2"-12	1 7/8"-12 UN	58.8	66.0	48.0	60.0	55.0	160	24FFORX-24MBA90

### ORFS FFORX-FFORX

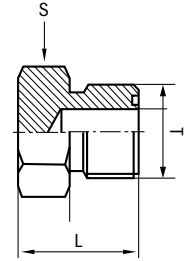
SAE flat face O-Ring female swivel /  
female swivel



THREAD		LENGTH	HEX/FLATS		WORKING PRESSURE	ADAPTOR
T1	T2	L	S	S1 & S2	WP	REF.
ORFS F	ORFS F	mm	mm	mm	bar	ORFS
3/16"-18	3/16"-18	40.0	17.0	17.0	630	4FFORX-4FFORX
1 1/16"-16	1 1/16"-16	46.0	19.0	22.0	630	6FFORX-6FFORX
1 3/16"-16	1 3/16"-16	53.8	22.0	24.0	630	8FFORX-8FFORX
1"-14	1"-14	61.0	27.0	30.0	400	10FFORX-10FFORX
1 3/16"-12	1 3/16"-12	68.0	32.0	36.0	400	12FFORX-12FFORX
1 7/16"-12	1 7/16"-12	70.0	36.0	41.0	400	16FFORX-16FFORX
1 11/16"-12	1 11/16"-12	76.0	46.0	50.0	250	20FFORX-20FFORX
2"-12	2"-12	80.0	55.0	60.0	250	24FFORX-24FFORX

### ORFS MFFOR-PLUG

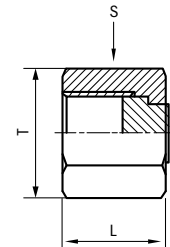
SAE flat face O-Ring male plug



THREAD	LENGTH	HEX/FLATS	WORKING PRESSURE	ADAPTOR
T	L	S	WP	REF.
ORFS	mm	mm	bar	ORFS
9/16"-18	16.7	17.0	630	4MFFOR-PLUG
1 1/16"-16	19.1	19.0	630	6MFFOR-PLUG
1 3/16"-16	21.7	22.0	630	8MFFOR-PLUG
1"-14	25.9	27.0	400	10MFFOR-PLUG
1.3/16"-12	27.4	32.0	400	12MFFOR-PLUG
1.7/16"-12	27.9	41.0	400	16MFFOR-PLUG
1.1 1/16"-12	27.9	46.0	250	20MFFOR-PLUG
2"-12	27.9	55.0	250	24MFFOR-PLUG

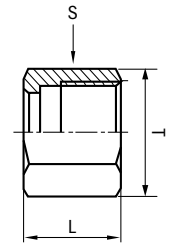
### ORFS FFORX-CAP

SAE flat face O-Ring female swivel cap



THREAD	LENGTH	HEX/FLATS	WORKING PRESSURE	ADAPTOR
T	L	S	WP	REF.
ORFS F	mm	mm	bar	ORFS
9/16"-18	14.8	17.0	630	4FFORX-CAP
1 1/16"-16	17.0	22.0	630	6FFORX-CAP
1 3/16"-16	31.0	24.0	630	8FFORX-CAP
1"-14	23.5	30.0	400	10FFORX-CAP
1.3/16"-12	26.0	36.0	400	12FFORX-CAP
1.7/16"-12	27.8	41.0	400	16FFORX-CAP
1.1 1/16"-12	27.8	50.0	250	20FFORX-CAP
2"-12	27.8	60.0	250	24FFORX-CAP

ORFS FFOR-NUT  
SAE flat face O-Ring nut



THREAD	LENGTH	HEX/FLATS	WORKING PRESSURE	ADAPTOR
T	L	S	WP	REF.
ORFS F	mm	mm	bar	ORFS
9/16"-18	14.7	17.0	630	4FFOR-NUT
1 1/16"-16	17.0	22.0	630	6FFOR-NUT
1 3/16"-16	21.0	24.0	630	8FFOR-NUT
1"-14	23.5	30.0	400	10FFOR-NUT
1.3 1/16"-12	26.5	36.0	400	12FFOR-NUT
1.7 1/16"-12	27.8	41.0	400	16FFOR-NUT
1.1 1/16"-12	27.8	50.0	250	20FFOR-NUT
2"-12	27.8	60.0	250	24FFOR-NUT