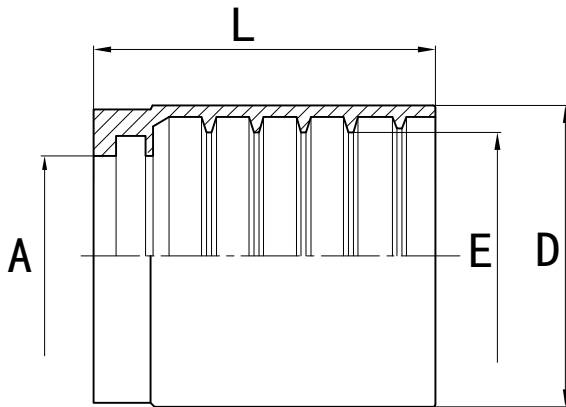


## 00110

SAE100R1AT/EN 853 1SN 软管套筒  
FERRULE FOR SAE100R1AT/EN 853 1SN

序号	产品代号	胶管HOSE BORE		尺寸 DIMENSIONS			
SN	PART NO.	公称内径 DN	标号 DASH	A	D	E	L
1	00110-04A	6	4	11.2	21	14	27.5
2	00110-05A	8	5	12.7	21.5	15.6	28
3	00110-06A	10	6	14.4	24.3	18	30
4	00110-08A	13	8	18.6	28	21.5	34
5	00110-10A	16	10	21.3	31.3	24.5	37
6	00110-12A	19	12	24.6	35.5	28.7	42
7	00110-16A	25	16	30.6	43.5	36.3	51
8	00110-20	32	20	37.5	52	45	59
9	00110-24	38	24	44	58	51.5	74
10	00110-32	51	32	56.8	72	65	78

注：与编织管接头配用。 NOTE: Match with braided fitting

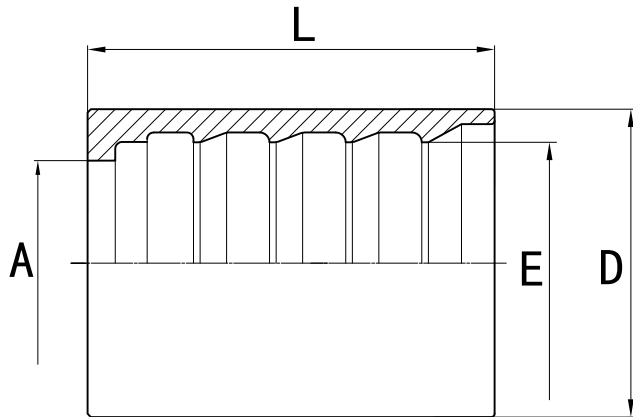
**03310**

SAE 100 R2AT/EN 853 2SN 软管套筒

FERRULE FOR SAE 100 R2AT/EN 853 2SN

序号 SN	产品代号 PART NO.	胶管HOSE BORE		尺寸 DIMENSIONS			
		公称内径 DN	标号 DASH	A	D	E	L
1	03310-04	6	04	11	23	15.7	30.5
2	03310-05	8	05	12.7	24	17.3	30
3	03310-06	10	06	14.4	26	19.6	32
4	03310-08	13	08	18.6	29	23.1	34
5	03310-10	16	10	21.3	33	26.2	37
6	03310-12	19	12	24.6	37	30.3	42
7	03310-16	25	16	30.6	46.7	38.8	51
8	03310-20A	32	20	37.5	59	49.6	55
9	03310-24A	38	24	44	67	56	66
10	03310-32A	51	32	56.8	80	68.8	72

注：与两层编织管配用。NOTE：Match with two braided hose fitting.

**01200A**

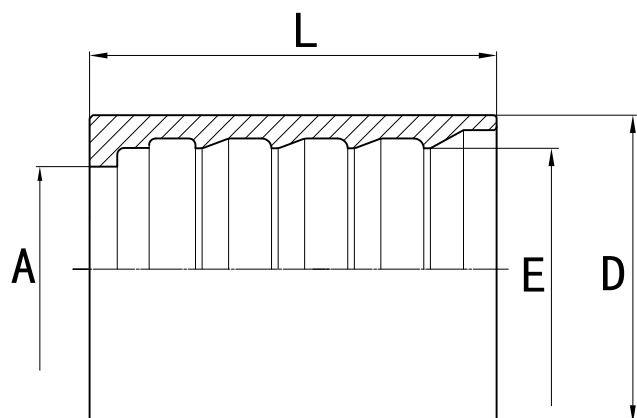
二层编织软管套筒

FERRULE FOR 2-WIRE HOSE

序号 SN	产品代号 PART NO.	胶管HOSE BORE		尺寸 DIMENSIONS			
		公称内径 DN	标号 DASH	A	D	E	L
1	01200-04A	6	04	11.2	21.5	14	28
2	01200-06A	10	06	14.4	25	18	29.5
3	01200-08A	13	08	18.6	31	22.5	31.5
4	01200-10A	16	10	21.6	33.4	25.4	34.5
5	01200-12A	19	12	24.5	37	28.5	40
6	01200-16A	25	16	30.8	45	36	48

注1: 与编织管接头配用。NOTE : Match with braided hose fitting.

注2. 以上型号为最新设计, 并已通过完全脉冲试验要求。No. in table is Latest Design.



## 01200

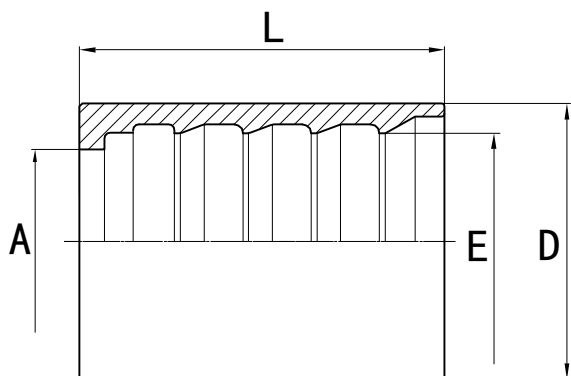
二层编织软管套筒

FERRULE FOR 2-WIRE HOSE

序号 SN	产品代号 PART NO.	胶管HOSE BORE		尺寸 DIMENSIONS			
		公称内径 DN	标号 DASH	A	D	E	L
1	01200-04	6	04	11.2	21.5	14	30
2	01200-06	10	06	14.2	25	18	32
3	01200-08	13	08	18.6	31	22.5	34
4	01200-10	16	10	21.3	34	25.5	37
5	01200-12	19	12	24.5	37	28.5	43
6	01200-16	25	16	30.4	43	34.5	50
7	01200-20	32	20	37.5	51	42	59
8	01200-24	38	24	44	57	48	74
9	01200-32	51	32	56.8	70	61	78

注1.与编织管接头配用。NOTE : Match with braided hose fitting.

注2.-04至-16型号已设计更新，建议用带A型号代替。Advise to replace with "A".

**00400/00401**

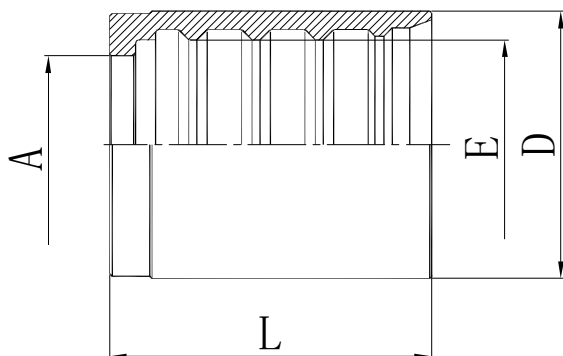
4SP、4SH/12-16、R12/06-16 软管套筒

FERRULE FOR 4SP、4SH/12-16、R12/06-16

序号 SN	产品代号 PART NO.	胶管HOSE BORE		尺寸 DIMENSIONS			
		公称内径 DN	标号 DASH	A	D	E	L
1	00400-04	6	04	11.5	22	15.5	37.5
2	00400-06	10	06	14.7	25.5	18.3	39
3	00400-08	13	08	17.5	29	21.3	41
4	00400-10	16	10	21	32.5	24.5	43
5	00400-12	19	12	24.5	37	29	51
6	00400-16	25	16	31	46.5	36.5	61.5
7	00401-20	32	20	38.3	53	42.8	67.5
8	00401-24	38	24	44.3	61	49.8	75
9	00401-32	51	32	57	77	64.5	79

注：1.与四层编织管接头配用。NOTE：Match with four spiral hose fitting.

2.-06至-16型号已设计更新，建议用带D型号代替。Advise to replace with "D".



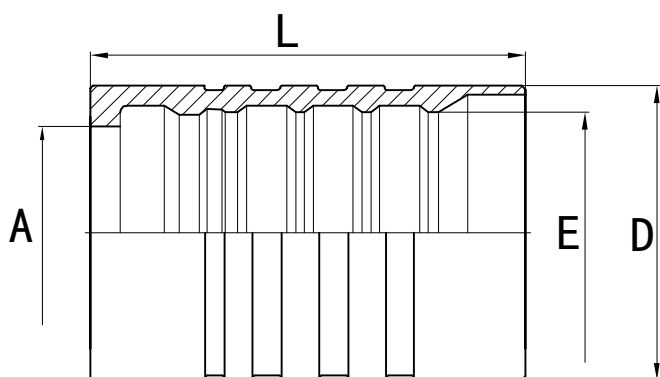
## 00400D

4SP、4SH/12-16、R12/06-16 软管套筒

FERRULE FOR 4SP、4SH/12-16、R12/06-16

序号 SN	产品代号 PART NO.	胶管HOSE BORE		尺寸 DIMENSIONS			
		公称内径 DN	标号 DASH	A	D	E	L
1	00400-06D	10	06	14.6	26	18.4	34
2	00400-08D	13	08	17.5	29	21.5	37
3	00400-10D	16	10	21.2	33	24.8	39
4	00400-12D	19	12	24.5	37.5	29.4	45
5	00400-16D	25	16	31	46.5	36.5	56

注：1.与四层编织管接头配用。 NOTE : Match with four spiral hose fitting.



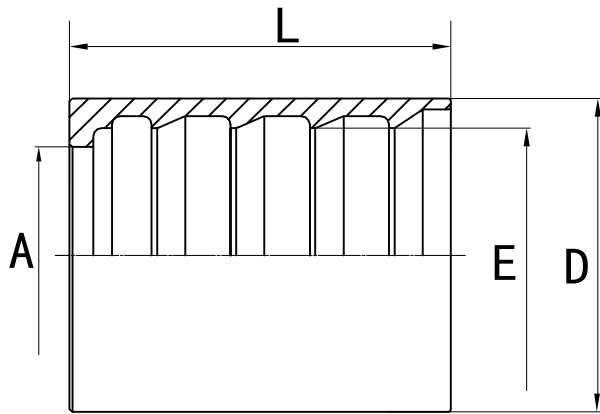
## 00621

SAE100 R13/R15 剥内外胶套筒

FERRULE FOR SAE100 R13/R15 HOSE

序号 SN	产品代号 PART NO.	胶管HOSE BORE		尺寸 DIMENSIONS			
		公称内径 DN	标号 DASH	A	D	E	L
1	00621-20	32	20	43.3	60	49.2	88.5
2	00621-24	38	24	49.5	69.4	55.5	102
3	00621-32	51	32	64.5	86.5	70.7	108

注：与六层缠绕管接头配用。 NOTE : Match with six spiral hose fitting.



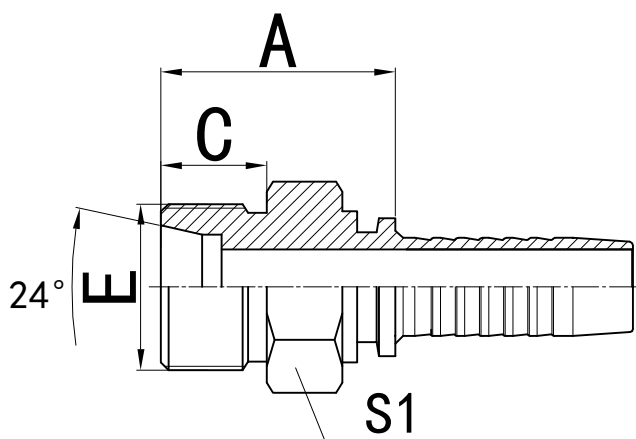
## 01400

SEA 100 R12/20-24, GB10544 R15型 套筒

FERRULE FOR SEA 100 R12/20-24,  
GB 10544 R15 TYPE HOSE

序号 SN	产品代号 PART NO.	胶管HOSE BORE		尺寸 DIMENSIONS			
		公称内径 DN	标号 DASH	A	D	E	L
1	01400-06	10	06	14.7	27.5	20.3	39
2	01400-08	13	08	17.5	31.5	23.5	41
3	01400-10	16	10	21	34	27	43
4	01400-12	19	12	24.5	39	31	51
5	01400-16	25	16	31	46.5	37	61.5
6	01400-20	32	20	38.3	55.5	45	67.5
7	01400-24	38	24	44.3	63.5	52	75
8	01400-32	51	32	57	78	65	79

注：与两层编织管配用。 NOTE : Match with two braided hose fitting.

**10411**

公制外螺纹24°内锥面轻系列

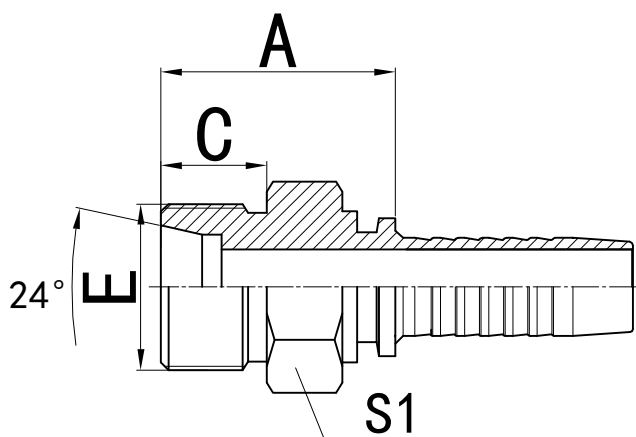
METRIC MALE 24° CONE SEAT L.T.DIN 3853

序号 SN	产品代号 PART NO.	螺纹 E THREAD E	胶管HOSE BORE		硬管外径 TUBE O.D.	尺寸 DIMENSIONS		
			公称内径 DN	标号 DASH		A	C	S1
1	10411-14-04	M14X1.5	6	04	8	20.5	10	14
2	10411-16-04	M16X1.5	6	04	10	22.5	11	17
3	10411-16-05	M16X1.5	8	05	10	22.5	11	17
4	10411-18-06	M18X1.5	10	06	12	22.5	11	19
5	10411-22-08	M22X1.5	13	08	15	26	12	24
6	10411-26-10	M26X1.5	16	10	18	26.5	12	27
7	10411-30-12	M30X2	19	12	22	30	14	32
8	10411-36-16	M36X2	25	16	28	31.5	14	41
9	10411-45-20	M45X2	32	20	35	37	16	46
10	10411-52-24	M52X2	38	24	42	38	16	55

注：表中代号用于编织软管，如用于缠绕软管代号改为10412-XX-XX。

Note:NO. in table match with braided hose.P/N 10412-XX match with spiral hose.



**10511**

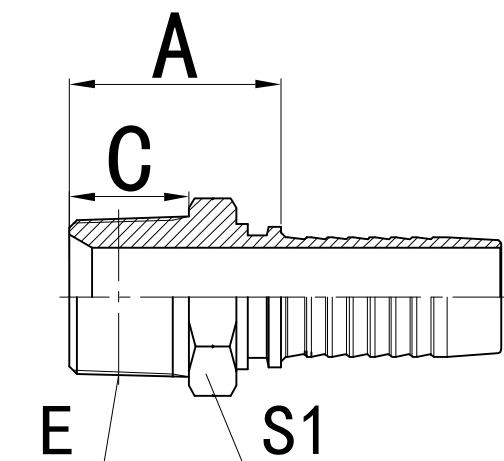
公制外螺纹24°内锥面重系列

METRIC MALE 24° CONE SEAT H.T.DIN 3853

序号 SN	产品代号 PART NO.	螺纹 E THREAD E	胶管HOSE BORE		硬管外径 TUBE O.D.	尺寸 DIMENSIONS		
			公称内径 DN	标号 DASH		A	C	S1
1	10511-14-04	M14X1.5	6	04	6	24.5	12	14
2	10511-16-04	M16X1.5	6	04	8	26.5	12	17
3	10511-18-04	M18X1.5	6	04	10	26.5	12	19
4	10511-18-06	M18X1.5	10	06	10	26.5	12	19
5	10511-20-06	M20X1.5	10	06	12	26.5	12	22
6	10511-22-08	M22X1.5	13	08	14	31	14	24
7	10511-24-08	M24X1.5	13	08	16	31.5	14	27
8	10511-30-10	M30X2	16	10	20	34.5	16	32
9	10511-36-16	M36X2	25	16	25	41.5	18	41
10	10511-42-16	M42X2	25	16	30	44	20	46
11	10511-52-20	M52X2	32	20	38	50	22	55

注：表中代号用于编织软管，如用于缠绕软管代号改为10512-XX-XX。

Note:NO. in table match with braided hose .P/N 10512-XX match with spiral hose.

**13011-SP**

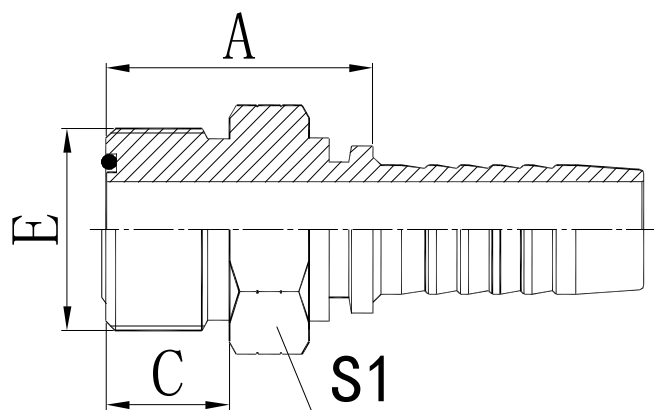
英锥管外螺纹

BSPT MALE

序号 SN	产品代号 PART NO.	螺纹 E THREAD E	胶管HOSE BORE		尺寸 DIMENSIONS		
			公称内径 DN	标号 DASH	A	C	S1
1	13011-04-04SP	R1/4"X19	6	04	27	14.5	14
2	13011-06-06SP	R3/8"X19	10	06	27.5	15	17
3	13011-08-08SP	R1/2"X14	13	08	35	20	22
4	13011-12-12SP	R3/4"X14	19	12	38.5	20	27
5	13011-16-12SP	R1"X11	19	12	44.5	25.5	36
6	13011-16-16SP	R1"X11	25	16	45	25.5	36
7	13011-20-20SP	R1.1/4"X11	32	20	49.5	26.5	46
8	13011-24-24SP	R1.1/2"X11	38	24	52.5	26.5	50
9	13011-32-32SP	R2"X11	50	32	57	30	65

注1：表中代号用于编织软管，如用于缠绕软管代号改为13012-XX-XXSP。

Note:NO. in table match with braided hose.P/N 13012-XX match with spiral hose.

**14211**

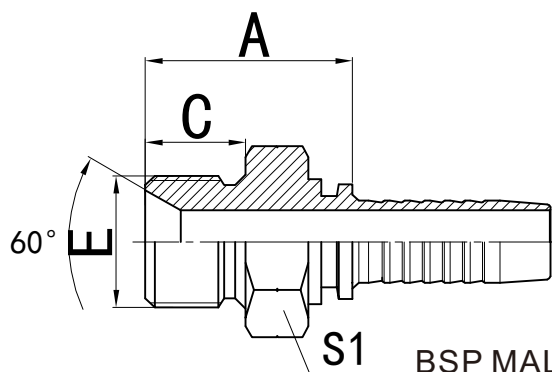
美制ORFS外螺纹平面O型圈密封

ORFS MALE O-RING SEAL ISO12151-1

序号 SN	产品代号 PART NO.	螺纹 E THREAD E	胶管HOSE BORE		O型圈 O-RING	尺寸 DIMENSIONS		
			公称内径 DN	标号 DASH		A	C	S1
1	14211-04-04	9/16"X18	6	04	O7.65X1.78	22.5	9.8	17
2	14211-06-06	11/16"X16	10	06	O9.25X1.78	24	11.2	19
3	14211-08-08	13/16"X16	12	08	O12.42X1.78	28.5	12.8	22
4	14211-10-10	1"X14	16	10	O15.6X1.78	33.5	15.5	27
5	14211-12-12	1.3/16"X12	19	12	O18.77X1.78	36.5	17	32
6	14211-16-16	1.7/16"X12	25	16	O23.52X1.78	38.5	17.5	38
7	14211-20-20	1.11/16"X12	32	20	O29.87X1.78	41.5	17.5	46
8	14211-24-24	2"X12	38	24	O37.82X1.78	43.5	17.5	55

注：表中代号用于编织软管，如用于缠绕软管代号改为14212-XX-XX。

Note:NO. in table match with braided hose.P/N 14212-XX match with spiral hose.



12611A

英管外螺纹60°内锥面或六角端面用组合垫密封

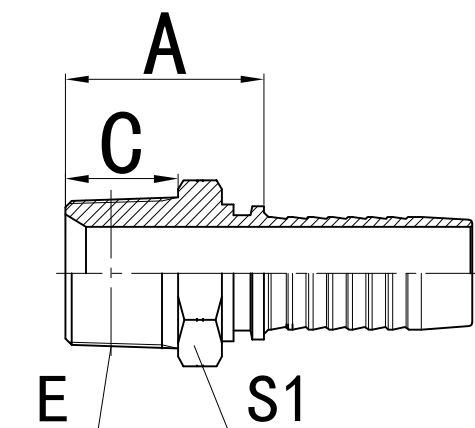
BSP MALE DOUBLE USE FOR 60° CONE SEAT OR BONDED

序号 SN	产品代号 PART NO.	螺纹 E THREAD E	胶管HOSE BORE		尺寸 DIMENSIONS		
			公称内径 DN	标号 DASH	A	C	S1
1	12611A-04-04	G1/4"X19	6	04	24.5	12	19
2	12611A-06-06	G3/8"X19	10	06	28	13.5	22
3	12611A-08-08	G1/2"X14	13	08	33	16	27
4	12611A-12-12	G3/4"X14	19	12	37.5	18.5	32
5	12611A-16-12	G1"X11	19	12	42.5	20.5	41
6	12611A-16-16	G1"X11	25	16	43.5	20.5	41
7	12611A-20-16	G1.1/4"X11	25	16	45.5	20.5	50
8	12611A-20-20	G1.1/4"X11	32	20	46.5	20.5	50
9	12611A-24-24	G.1/2"X11	38	24	49	23	55
10	12611A-32-32	G2"X11	50	32	53.5	25.5	70

注1：该系列的密封型式可采用60°锥面密封，也可在六角端面放组合垫密封。

注2：表中代号用于编织软管，如用于缠绕软管代号改为12612A-XX-XX。

Note: NO. in table match with braided hose. P/N 12612A-XX match with spiral hose.

**15611**

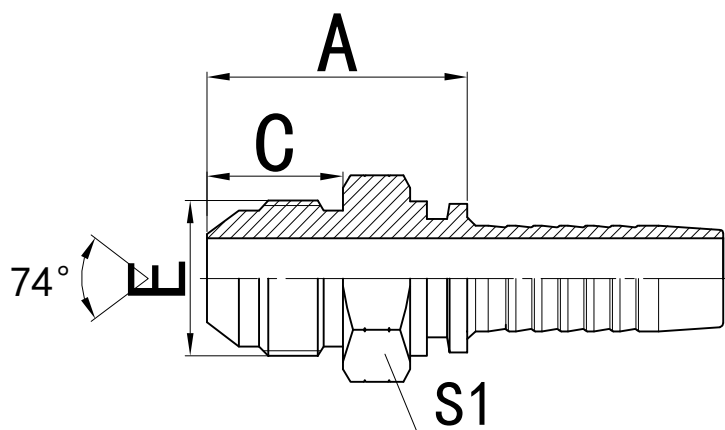
布锥管外螺纹

NPT MALE

序号 SN	产品代号 PART NO.	螺纹 E THREAD E	胶管HOSE BORE		尺寸 DIMENSIONS		
			公称内径 DN	标号 DASH	A	C	S1
1	15611-04-04	Z1/4"X18	6	04	28	15	17
2	15611-06-06	Z3/8"X18	10	06	29	16	19
3	15611-08-08	Z1/2"X14	13	08	34.5	19	22
4	15611-12-12	Z3/4"X14	19	12	38.5	19.5	27
5	15611-16-16	Z1"X11.5	25	16	46.5	25.5	36
6	15611-20-20	Z1.1/4"X11.5	32	20	50.5	26.5	46
7	15611-24-24	Z1.1/2"X11.5	38	24	51	26	50
8	15611-32-32	Z2"X11.5	50	32	55	27.5	65

注：表中代号用于编织软管，如用于缠绕软管代号改为15612-XX-XX。

Note:NO. in table match with braided hose.P/N 15612-XX match with spiral hose.

**16711**

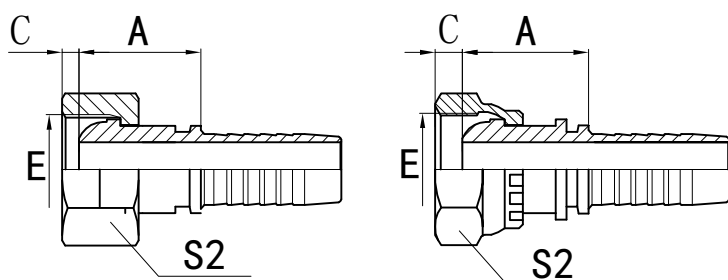
美制JIC 外螺纹74° 外锥面

JIC MALE 74° CONE ISO 12151-5 SAE J514

序号 SN	产品代号 PART NO.	螺纹 E THREAD E	胶管HOSE BORE		尺寸 DIMENSIONS		
			公称内径 DN	标号 DASH	A	C	S1
1	16711-04-04	7/16"X20	6	04	26.5	14	12
2	16711-05-05	1/2"X20	8	05	26.5	14	14
3	16711-06-06	9/16"X18	10	06	26.5	14.1	17
4	16711-08-08	3/4"X16	13	08	32	16.7	22
5	16711-10-10	7/8"X14	16	10	35	19.3	24
6	16711-12-12	1.1/16"X12	19	12	40	21.9	30
7	16711-16-16	1.5/16"X12	25	16	43.5	23.1	36
8	16711-20-20	1.5/8"X12	32	20	47.5	24.3	46
9	16711-24-24	1.7/8"X12	38	24	53	27.5	50
10	16711-32-32	2.1/2"X12	50	32	62	33.9	65

注：表中代号用于编织软管，如用于缠绕软管代号改为16712-XX-XX。

Note:NO. in table match with braided hose.P/N 16712-XX match with spiral hose.



**20111T**

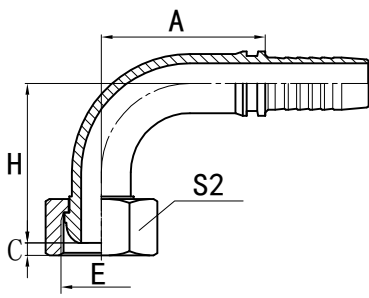
**20111**

公制内螺纹球面  
METRIC FEMALE MULTISEAL

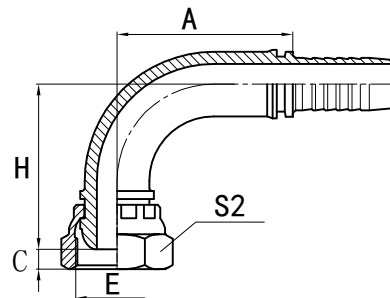
序号 SN	产品代号 PART NO.	螺纹 E THREAD E	胶管HOSE BORE		尺寸 DIMENSIONS		
			公称内径 DN	标号 DASH	A	C	S2
1	20111-14-04T	M14X1.5	6	04	20.5	4.5	17
2	20111-16-05T	M16X1.5	8	05	20	4.5	19
3	20111-16-06	M16X1.5	10	06	20	4.5	22
4	20111-18-05T	M18X1.5	8	05	21.5	4	22
5	20111-18-06T	M18X1.5	10	06	22.5	4	22
6	20111-22-06T	M22X1.5	10	06	23	5	27
7	20111-22-08T	M22X1.5	12	08	24.5	5	27
8	20111-27-08T	M27X1.5	12	08	23	5.5	32
9	20111-27-10T	M27X1.5	16	10	23.5	5.5	32
10	20111-30-10T	M30X1.5	16	10	25	6	36
11	20111-30-12T	M30X1.5	19	12	28.5	6	36
12	20111-36-12T	M36X2	19	12	26	7	41
13	20111-36-16T	M36X2	25	16	28	7	41
14	20111-39-16T	M39X2	25	16	29.5	7	46
15	20111-42-16T	M42X2	25	16	30	8.5	50
16	20111-45-20T	M45X2	32	20	31.5	8.5	55
17	20111-52-20T	M52X2	32	20	33	9	60
18	20111-52-24T	M52X2	38	24	33	9	60
19	20111-64-32T	M64X2	51	32	35	14	75

注：表中代号用于编织软管，如用于缠绕软管代号改为20112-XX-XX。

Note:NO. in table match with braided hose.P/N 20112-XX match with spiral hose.



**20191T**



**20191**

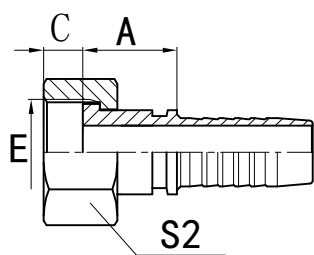
90° 公制内螺纹球  
90° METRIC FEMALE MULTISEAL

序号 SN	产品代号 PART NO.	螺纹 E THREAD E	胶管HOSE BORE		尺寸 DIMENSIONS			
			公称内径 DN	标号 DASH	A	C	H	S2
1	20191-14-04T	M14X1.5	6	04	27	4.5	35.5	17
2	20191-16-05T	M16X1.5	8	05	32	4.5	38.5	19
3	20191-16-06	M16X1.5	10	06	34.5	4.5	43.8	22
4	20191-18-05T	M18X1.5	8	05	32	4	40	22
5	20191-18-06T	M18X1.5	10	06	34.5	4	41	22
6	20191-22-06T	M22X1.5	10	06	34.5	5	38	27
7	20191-22-08T	M22X1.5	12	08	41	5	49	27
8	20191-27-08T	M27X1.5	12	8	41	5.5	51.5	32
9	20191-27-10T	M27X1.5	16	10	53	5.5	53.5	32
10	20191-30-10T	M30X1.5	16	10	53	6	55.5	36
11	20191-30-12T	M30X1.5	19	12	61	6	60	36
12	20191-36-12T	M36X2	19	12	61	7	64	41
13	20191-36-16T	M36X2	25	16	75	7	70	41
14	20191-39-16T	M39X2	25	16	75	7	72	46
15	20191-42-16T	M42X2	25	16	75	8.5	72.5	50
16	20191-45-20T	M45X2	32	20	91	8.5	85	55
17	20191-52-20T	M52X2	32	20	91	9	86.5	60
18	20191-52-24T	M52X2	38	24	106	9	97	60
19	20191-64-32T	M64X2	51	32	132	14	122	75

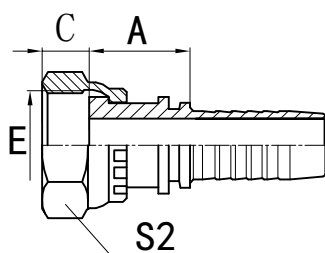
注：表中代号用于编织软管，如用于缠绕软管代号改为20192-XX-XX。

Note:NO. in table match with braided hose.P/N 20192-XX match with spiral hose.

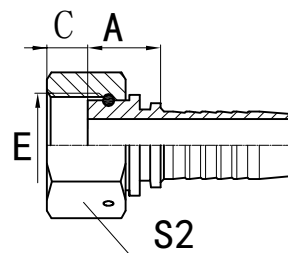




20211T



20211



20211W

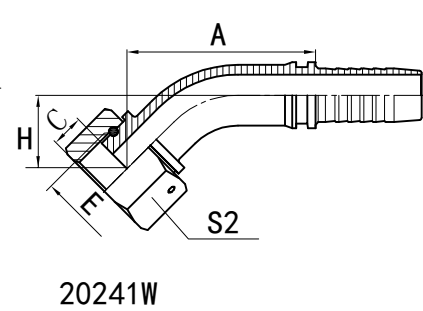
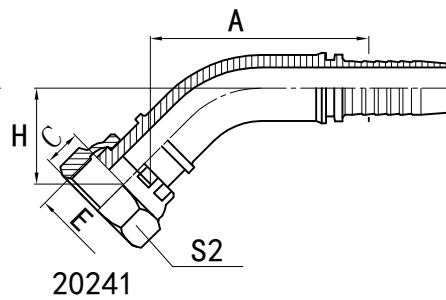
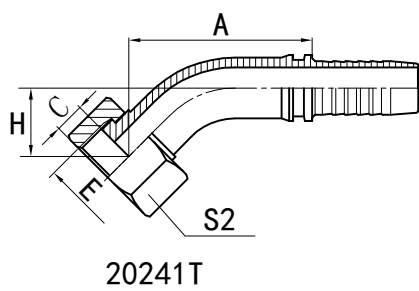
国标公制内螺纹平面密封

GB METRIC FEMALE FLAT SEAT

序号 SN	产品代号 PART NO.	螺纹 E THREAD E	胶管HOSE BORE		尺寸 DIMENSIONS		
			公称内径 DN	标号 DASH	A	C	S2
1	20211-12-04	M12X1.25	6	04	15	8	17
2	20211-14-04T	M14X1.5	6	04	16.5	8.5	17
3	20211-16-04T	M16X1.5	6	04	16	8.5	19
4	20211-16-05T	M16X1.5	8	05	16.5	8.5	19
5	20211-16-06	M16X1.5	10	06	16.5	8	22
6	20211-18-05T	M18X1.5	8	05	18	9	22
7	20211-18-06T	M18X1.5	10	06	17	9	22
8	20211-22-06T	M22X1.5	10	06	17	10	27
9	20211-22-08T	M22X1.5	12	08	19.5	10	27
10	20211-27-08T	M27X1.5	12	08	18.5	10	32
11	20211-27-10T	M27X1.5	16	10	20	10	32
12	20211-30-10T	M30X1.5	16	10	20	11	36
13	20211-30-12T	M30X1.5	19	12	22.5	11	36
14	20211-36-12T	M36X2	19	12	20	13	41
15	20211-36-16T	M36X2	25	16	24	13	41
16	20211-39-16T	M39X2	25	16	23.5	13	46
17	20211-42-16T	M42X2	25	16	23.5	15	50
18	20211-42-20W	M42X2	32	20	25	15	50
19	20211-45-16T	M45X2	25	16	24	15	55
20	20211-45-20T	M45X2	32	20	25	15	55
21	20211-52-20T	M52X2	32	20	25	17	60
22	20211-52-24T	M52X2	40	24	25	17	60
23	20211-64-32T	M64X2	50	32	26	23	75

注：表中代号用于编织软管，如用于缠绕软管代号改为20212-XX-XX。

Note:NO. in table match with braided hose.P/N 20212-XX match with spiral hose.



45° 公制内螺纹平面密封

45° METRIC FEMALE FLAT SEAT

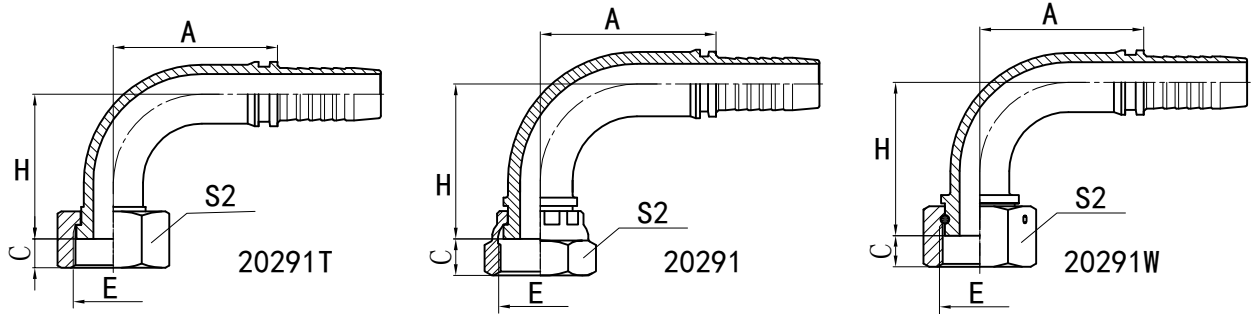
序号 SN	产品代号 PART NO.	螺纹 E THREAD E	胶管HOSE BORE		尺寸 DIMENSIONS			
			公称内径 DN	标号 DASH	A	C	H	S2
1	20241-12-04	M12X1.25	6	04	35.7	8	18.1	17
2	20241-14-04T	M14X1.5	6	04	35.4	8.5	15.7	17
3	20241-16-04T	M16X1.5	6	04	38.1	8.5	18.5	19
4	20241-16-05T	M16X1.5	8	05	42	8.5	19.7	19
5	20241-16-06	M16X1.5	10	06	44.4	8	20.5	22
6	20241-18-05T	M18X1.5	8	05	40.6	9	18.3	22
7	20241-18-06T	M18X1.5	10	06	44	9	20.1	22
8	20241-22-06T	M22X1.5	10	06	43	10	19.1	27
9	20241-22-08T	M22X1.5	12	08	46.7	10	19.8	27
10	20241-27-08T	M27X1.5	12	08	48.5	10	21.5	32
11	20241-27-10T	M27X1.5	16	10	59.2	10	22.8	32
12	20241-30-10T	M30X1.5	16	10	59.2	11	22.8	36
13	20241-30-12T	M30X1.5	19	12	66.2	11	24.5	36
14	20241-36-12T	M36X2	19	12	66.2	13	24.5	41
15	20241-36-16T	M36X2	25	16	78.3	13	27.9	41
16	20241-39-16T	M39X2	25	16	79.7	13	29.3	46
17	20241-42-16T	M42X2	25	16	79.7	15	29.3	50
18	20241-42-20W	M42X2	32	20	95.4	15	35.2	50
19	20241-45-16T	M45X2	25	16	81	15	30.7	55
20	20241-45-20T	M45X2	32	20	94	15	33.8	55
21	20241-52-20T	M52X2	32	20	94	17	33.8	60
22	20241-52-24T	M52X2	40	24	106	17	36.8	60
23	20241-64-32T	M64X2	50	32	134	23	45.6	75

注：表中代号用于编织软管，如用于缠绕软管代号改为20242-XX-XX。

Note: NO. in table match with braided hose. P/N 20242-XX match with spiral hose.

Ningbo AKJia Hydraulic Co., Ltd.

www.akjia.com



90° 公制内螺纹平面密封

90° METRIC FEMALE FLAT SEAT

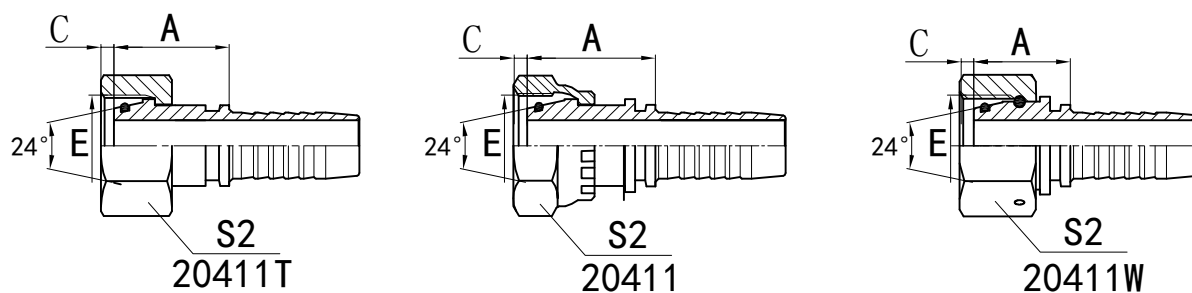
序号 SN	产品代号 PART NO.	螺纹 E THREAD E	胶管HOSE BORE		尺寸 DIMENSIONS			
			公称内径 DN	标号 DASH	A	C	H	S2
1	20291-12-04	M12X1.25	6	04	27	8	32.5	17
2	20291-14-04T	M14X1.5	6	04	27	8.5	29.5	17
3	20291-16-04T	M16X1.5	6	04	27	8.5	32	19
4	20291-16-05T	M16X1.5	8	05	32	8.5	37.5	19
5	20291-16-06	M16X1.5	10	06	34.5	8	39.5	22
6	20291-18-05T	M18X1.5	8	05	32	9	35.5	22
7	20291-18-06T	M18X1.5	10	06	34.5	9	36.5	22
8	20291-22-06T	M22X1.5	10	06	34.5	10	37.5	27
9	20291-22-08T	M22X1.5	12	08	41	10	42	27
10	20291-27-08T	M27X1.5	12	08	41	10	44.5	32
11	20291-27-10T	M27X1.5	16	10	53	10	49	32
12	20291-30-10T	M30X1.5	16	10	53	11	49	36
13	20291-30-12T	M30X1.5	19	12	61	11	54	36
14	20291-36-12T	M36X2	19	12	61	13	54	41
15	20291-36-16T	M36X2	25	16	75	13	64	41
16	20291-39-16T	M39X2	25	16	75	13	66	46
17	20291-42-16T	M42X2	25	16	75	15	66	50
18	20291-42-20W	M42X2	32	20	91	15	80.5	50
19	20291-45-16T	M45X2	25	16	75	15	68	55
20	20291-45-20T	M45X2	32	20	91	15	78.5	55
21	20291-52-20T	M52X2	32	20	91	17	78.5	60
22	20291-52-24T	M52X2	40	24	106	17	89	60
23	20291-64-32T	M64X2	50	32	132	23	113	75

注：表中代号用于编织软管，如用于缠绕软管代号改为20292-XX-XX。

Note: NO. in table match with braided hose. P/N 20292-XX match with spiral hose.

Ningbo AKJia Hydraulic Co., Ltd.

www.akjia.com



公制内螺纹24°锥带O形圈轻系列

METRIC FEMALE 24° CONE O-RING L.T. ISO 12151-2--DIN 3865

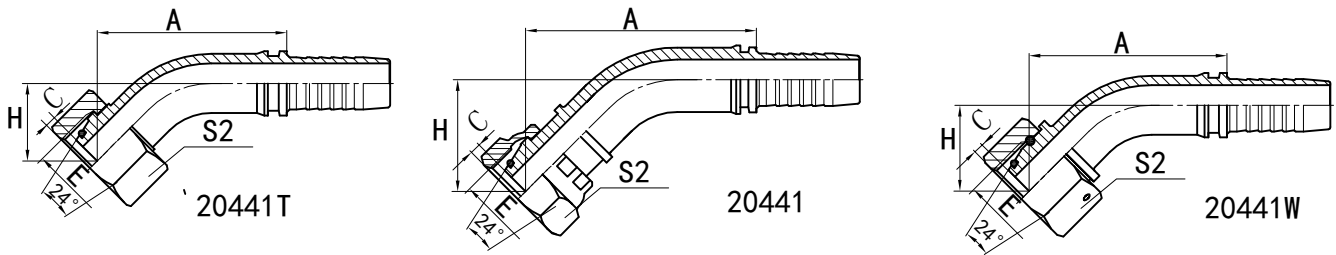
序号 SN	产品代号 PART NO.	螺纹 E THREAD E	胶管HOSE BORE		O型圈 O-RING	尺寸 DIMENSIONS		
			公称内径 DN	标号 DASH		A	C	S2
1	20411-12-04	M12X1.5	6	04	O04.5X1.5	26	1	S17
2	20411-14-04T	M14X1.5	6	04	O06.5X1.5	24	1.7	S17
3	20411-14-05	M14X1.5	8	05	O06.5X1.5	27.5	2	S19
4	20411-16-04T	M16X1.5	6	04	O08.0X1.5	23	2.1	S19
5	20411-16-05T	M16X1.5	8	05	O08.0X1.5	24	2.1	S19
6	20411-16-06	M16X1.5	10	06	O08.0X1.5	27.5	2	S22
7	20411-18-04T	M18X1.5	6	04	O10.0X1.5	24.5	1.5	S22
8	20411-18-05T	M18X1.5	8	05	O10.0X1.5	24.5	1.5	S22
9	20411-18-06T	M18X1.5	10	06	O10.0X1.5	25	1.5	S22
10	20411-18-08	M18X1.5	13	08	O10.0X1.5	29.5	2.5	S24
11	20411-22-06T	M22X1.5	10	06	O12.0X2.0	26.5	3	S27
12	20411-22-08T	M22X1.5	13	08	O12.0X2.0	28	3	S27
13	20411-22-10W	M22X1.5	16	10	O12.0X2.0	25	3	S27
14	20411-26-08T	M26X1.5	13	08	O15.0X2.0	27.5	2.1	S32
15	20411-26-10T	M26X1.5	16	10	O15.0X2.0	29	2.1	S32
16	20411-26-12W	M26X1.5	19	12	O15.0X2.0	26.5	2.1	S36
17	20411-30-10T	M30X2.0	16	10	O20.0X2.0	31	3.8	S36
18	20411-30-12T	M30X2.0	19	12	O20.0X2.0	33	3.8	S36
19	20411-30-16W	M30X2.0	25	16	O20.0X2.0	30	3.8	S36
20	20411-36-12T	M36X2.0	19	12	O26.0X2.0	33	4.5	S41
21	20411-36-16T	M36X2.0	25	16	O26.0X2.0	35	4.5	S41
22	20411-36-20W	M36X2.0	32	20	O26.0X2.0	33	4.5	S41
23	20411-45-16T	M45X2.0	25	16	O32.0X2.5	37	4	S50
24	20411-45-20T	M45X2.0	32	20	O32.0X2.5	37.5	4	S50
25	20411-45-24W	M45X2.0	38	24	O32.0X2.5	34	4	S50
26	20411-52-20T	M52X2.0	32	20	O38.0X2.5	38.5	4	S60
27	20411-52-24T	M52X2.0	38	24	O38.0X2.5	38.5	4	S60

注：表中代号用于编织软管，如用于缠绕软管代号改为20412-XX-XX。

Note:NO. in table match with braided hose P/N 20412-XX match with spiral hose.

Ningbo Akjia Hydraulic Co., Ltd.

www.akjia.com



45° 公制内螺纹24°锥带O形圈轻系列

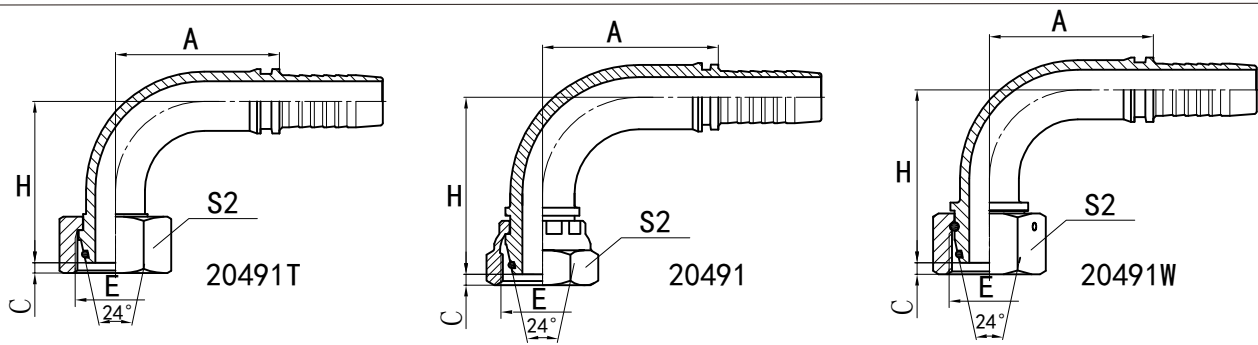
45° METRIC FEMALE 24° CONE O-RING L. T. ISO 12151-2--DIN 3865

序号 SN	产品代号 PART NO.	螺纹 E THREAD E	胶管HOSE BORE		O型圈 O-RING	尺寸 DIMENSIONS			
			公称内径 DN	标号 DASH		A	C	H	S2
1	20441-12-04	M12X1.5	6	04	O04.5X1.5	35.7	1	16.9	S17
2	20441-14-04T	M14X1.5	6	04	O06.5X1.5	36	1.7	16.4	S17
3	20441-14-05	M14X1.5	8	05	O06.5X1.5	37	2	16.4	S19
4	20441-16-04T	M16X1.5	6	04	O08.0X1.5	36.3	2.1	16.6	S19
5	20441-16-05T	M16X1.5	8	05	O08.0X1.5	39.7	2.1	17.3	S19
6	20441-16-06	M16X1.5	10	06	O08.0X1.5	41.2	2	17.9	S22
7	20441-18-04T	M18X1.5	6	04	O10.0X1.5	37.2	1.5	17.5	S22
8	20441-18-05T	M18X1.5	8	05	O10.0X1.5	41.3	1.5	19	S22
9	20441-18-06T	M18X1.5	10	06	O10.0X1.5	43	1.5	19	S22
10	20441-18-08	M18X1.5	13	08	O10.0X1.5	45.3	2.5	20.2	S24
11	20441-22-06T	M22X1.5	10	06	O12.0X2.0	43.4	3	19.4	S27
12	20441-22-08T	M22X1.5	13	08	O12.0X2.0	48.1	3	21.2	S27
13	20441-22-10W	M22X1.5	16	10	O12.0X2.0	56.5	3	25	S27
14	20441-26-08T	M26X1.5	13	08	O15.0X2.0	49.1	2.1	22.2	S32
15	20441-26-10T	M26X1.5	16	10	O15.0X2.0	61.2	2.1	24.9	S32
16	20441-26-12W	M26X1.5	19	12	O15.0X2.0	70.1	2.1	28.9	S36
17	20441-30-10T	M30X2.0	16	10	O20.0X2.0	62.5	3.8	26.2	S36
18	20441-30-12T	M30X2.0	19	12	O20.0X2.0	69.1	3.8	27.5	S36
19	20441-30-16W	M30X2.0	25	16	O20.0X2.0	78.6	3.8	31.9	S36
20	20441-36-12T	M36X2.0	19	12	O26.0X2.0	69.4	4.5	27.7	S41
21	20441-36-16T	M36X2.0	25	16	O26.0X2.0	81.4	4.5	31	S41
22	20441-36-20W	M36X2.0	32	20	O26.0X2.0	96.1	4.5	36.7	S41
23	20441-45-16T	M45X2.0	25	16	O32.0X2.5	83.6	4	33.2	S50
24	20441-45-20T	M45X2.0	32	20	O32.0X2.5	96.5	4	36.2	S50
25	20441-45-24W	M45X2.0	38	24	O32.0X2.5	109	4	42.2	S50
26	20441-52-20T	M52X2.0	32	20	O38.0X2.5	97.2	4	36.9	S60
27	20441-52-24T	M52X2.0	38	24	O38.0X2.5	111	4	41.4	S60

注：表中代号用于编织软管，如用于缠绕软管代号改为20442-XX-XX。

Note:NO. in table match with braided hose P/N 20442-XX match with spiral hose.

Ningbo AKJia Hydraulic Co., Ltd.



90° 公制内螺纹24°锥带O形圈轻系列

90° METRIC FEMALE 24° CONE O-RING L. T. ISO 12151-2--DIN 3865

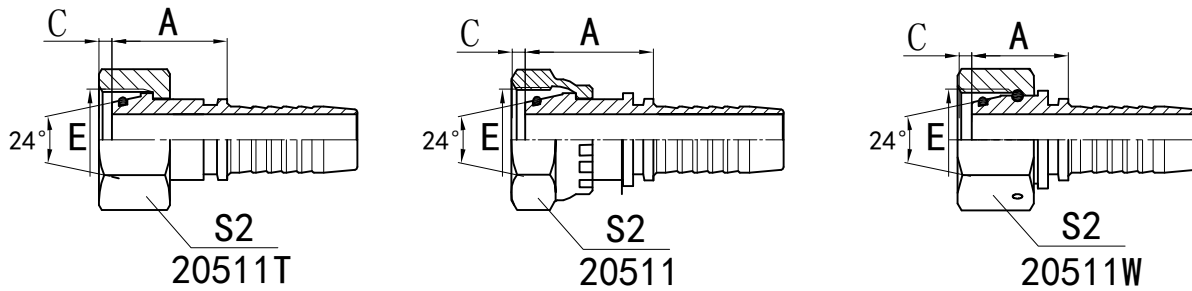
序号 SN	产品代号 PART NO.	螺纹 E THREAD E	胶管HOSE BORE		O型圈 O-RING	尺寸 DIMENSIONS			
			公称内径 DN	标号 DASH		A	C	H	S2
1	20491-12-04	M12X1.5	6	04	O04.5X1.5	27	1	30.5	S17
2	20491-14-04T	M14X1.5	6	04	O06.5X1.5	27	1.7	30.4	S17
3	20491-14-05	M14X1.5	8	05	O06.5X1.5	28	2	32	S19
4	20491-16-04T	M16X1.5	6	04	O08.0X1.5	27	2.1	30.7	S19
5	20491-16-05T	M16X1.5	8	05	O08.0X1.5	32	2.1	34.2	S19
6	20491-16-06	M16X1.5	10	06	O08.0X1.5	33	2	35	S22
7	20491-18-04T	M18X1.5	6	04	O10.0X1.5	27	1.5	32	S22
8	20491-18-05T	M18X1.5	8	05	O10.0X1.5	32	1.5	36.5	S22
9	20491-18-06T	M18X1.5	10	06	O10.0X1.5	34.5	1.5	37	S22
10	20491-18-08	M18X1.5	13	08	O10.0X1.5	37.2	2.5	39.3	S24
11	20491-22-06T	M22X1.5	10	06	O12.0X2.0	34.5	3	38	S27
12	20491-22-08T	M22X1.5	13	08	O12.0X2.0	41	3	44	S27
13	20491-22-10W	M22X1.5	16	10	O12.0X2.0	44.5	3	49.5	S27
14	20491-26-08T	M26X1.5	13	08	O15.0X2.0	41	2.1	45.4	S32
15	20491-26-10T	M26X1.5	16	10	O15.0X2.0	53	2.1	53.4	S32
16	20491-26-12W	M26X1.5	19	12	O15.0X2.0	58	2.1	57.5	S36
17	20491-30-10T	M30X2.0	16	10	O20.0X2.0	53	3.8	53.7	S36
18	20491-30-12T	M30X2.0	19	12	O20.0X2.0	61	3.8	58.2	S36
19	20491-30-16W	M30X2.0	25	16	O20.0X2.0	66	3.8	64.5	S36
20	20491-36-12T	M36X2.0	19	12	O26.0X2.0	61	4.5	58.5	S41
21	20491-36-16T	M36X2.0	25	16	O26.0X2.0	75	4.5	68.5	S41
22	20491-36-20W	M36X2.0	32	20	O26.0X2.0	84	4.5	76.5	S41
23	20491-45-16T	M45X2.0	25	16	O32.0X2.5	75	4	71.5	S50
24	20491-45-20T	M45X2.0	32	20	O32.0X2.5	91	4	82	S50
25	20491-45-24W	M45X2.0	38	24	O32.0X2.5	97.5	4	90.5	S50
26	20491-52-20T	M52X2.0	32	20	O38.0X2.5	91	4	83	S60
27	20491-52-24T	M52X2.0	38	24	O38.0X2.5	106	4	95.5	S60

注：表中代号用于编织软管，如用于缠绕软管代号改为20492-XX-XX。

Note:NO. in table match with braided hose P/N 20492-XX match with spiral hose.

Ningbo AKJia Hydraulic Co., Ltd.

www.akjia.com



公制内螺纹24°锥带O形圈重系列

METRIC FEMALE 24° CONE O-RING H. T. ISO 12151-2--DIN 3865

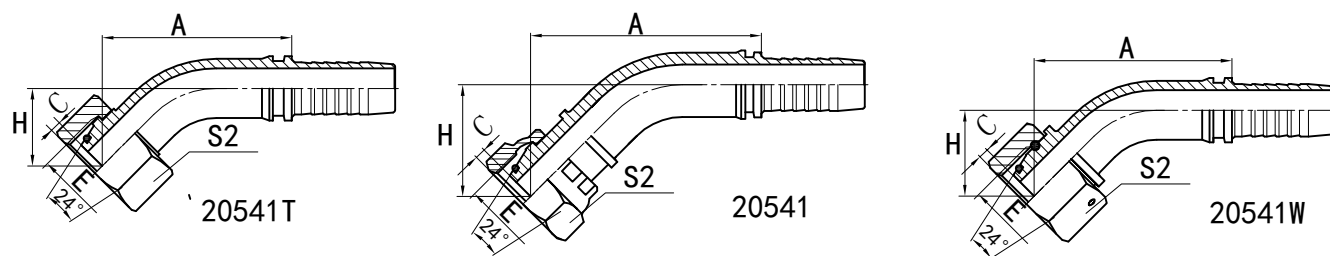
序号 SN	产品代号 PART NO.	螺纹 E THREAD E	胶管HOSE BORE		O型圈 O-RING	尺寸 DIMENSIONS		
			公称内径 DN	标号 DASH		A	C	S2
1	20511-14-04T	M14X1.5	6	04	O04.5X1.5	24	1.7	S17
2	20511-16-04T	M16X1.5	6	04	O06.5X1.5	24.5	1.8	S19
3	20511-16-05T	M16X1.5	8	05	O06.5X1.5	25	1.8	S19
4	20511-16-06	M16X1.5	10	06	O06.5X1.5	29	1.5	S22
5	20511-18-04T	M18X1.5	6	04	O08.0X1.5	25.5	1.5	S22
6	20511-18-05T	M18X1.5	8	05	O08.0X1.5	25.5	1.5	S22
7	20511-18-06T	M18X1.5	10	06	O08.0X1.5	26.5	1.5	S22
8	20511-20-05T	M20X1.5	8	05	O10.0X1.5	26.5	2.5	S24
9	20511-20-06T	M20X1.5	10	06	O10.0X1.5	26.5	2.5	S24
10	20511-20-08	M20X1.5	13	08	O10.0X1.5	31.5	2.5	S27
11	20511-22-06T	M22X1.5	10	06	O11.0X2.0	26.5	3	S27
12	20511-22-08T	M22X1.5	13	08	O11.0X2.0	29	3	S27
13	20511-24-06T	M24X1.5	10	06	O13.0X2.0	27	3	S30
14	20511-24-08T	M24X1.5	13	08	O13.0X2.0	27.5	3	S30
15	20511-24-10W	M24X1.5	16	10	O13.0X2.0	26	3	S30
16	20511-30-08T	M30X2	13	08	O16.3X2.4	32.5	2.5	S36
17	20511-30-10T	M30X2	16	10	O16.3X2.4	33	2.5	S36
18	20511-30-12T	M30X2	19	12	O16.3X2.4	34.5	2.5	S36
19	20511-36-12TS41	M36X2	19	12	O20.3X2.4	35	3	S41
20	20511-36-12T	M36X2	19	12	O20.3X2.4	35	3.2	S46
21	20511-36-16TS41	M36X2	25	16	O20.3X2.4	37	3.2	S41
22	20511-36-16T	M36X2	25	16	O20.3X2.4	37	3.2	S46
23	20511-42-16T	M42X2	25	16	O25.3X2.4	38.5	3.9	S50
24	20511-42-20W	M42X2	32	20	O25.3X2.4	33	3.9	S50
25	20511-52-20T	M52X2	32	20	O33.3X2.4	41.5	9	S60
26	20511-52-24T	M52X2	38	24	O33.3X2.4	41.5	9	S60

注：表中代号用于编织软管，如用于缠绕软管代号改为20512-XX-XX。

Note: NO. in table match with braided hose. P/N 20512-XX match with spiral hose.

Ningbo AKJia Hydraulic Co., Ltd.

www.akjia.com



45° 公制内螺纹24°锥带O形圈重系列

45° METRIC FEMALE 24° CONE O-RING H. T. ISO 12151-2-DIN 3865

序号 SN	产品代号 PART NO.	螺纹 E THREAD E	胶管HOSE BORE		O型圈 O-RING	尺寸 DIMENSIONS			
			公称内径 DN	标号 DASH		A	C	H	S2
1	20541-14-04T	M14X1.5	6	04	O04.5X1.5	36	1.7	16.4	S17
2	20541-16-04T	M16X1.5	6	04	O06.5X1.5	36.4	1.8	16.7	S19
3	20541-16-05T	M16X1.5	8	05	O06.5X1.5	38.1	1.8	17	S19
4	20541-16-06	M16X1.5	10	06	O06.5X1.5	35.4	1.5	17	S22
5	20541-18-04T	M18X1.5	6	04	O08.0X1.5	37.4	1.5	17.8	S22
6	20541-18-05T	M18X1.5	8	05	O08.0X1.5	41.3	1.5	19	S22
7	20541-18-06T	M18X1.5	10	06	O08.0X1.5	43.4	1.5	19.4	S22
8	20541-20-05T	M20X1.5	8	05	O10.0X1.5	41.7	2.5	19.3	S24
9	20541-20-06T	M20X1.5	10	06	O10.0X1.5	43.7	2.5	19.8	S24
10	20541-20-08	M20X1.5	13	08	O10.0X1.5	47.8	2.5	21.9	S27
11	20541-22-06T	M22X1.5	10	06	O11.0X2.0	43.7	3	19.8	S27
12	20541-22-08T	M22X1.5	13	08	O11.0X2.0	48.5	3	21.5	S27
13	20541-24-06T	M24X1.5	10	06	O13.0X2.0	43.7	3	19.8	S30
14	20541-24-08T	M24X1.5	13	08	O13.0X2.0	48.5	3	21.5	S30
15	20541-24-10W	M24X1.5	16	10	O13.0X2.0	51.8	3	25	S30
16	20541-30-08T	M30X2	13	08	O16.3X2.4	51.3	2.5	24.4	S36
17	20541-30-10T	M30X2	16	10	O16.3X2.4	63.4	2.5	27.1	S36
18	20541-30-12T	M30X2	19	12	O16.3X2.4	68.4	2.5	27.1	S36
19	20541-36-12TS41	M36X2	19	12	O20.3X2.4	70.3	3	28.6	S41
20	20541-36-12T	M36X2	19	12	O20.3X2.4	71.3	3.2	29.7	S46
21	20541-36-16TS41	M36X2	25	16	O20.3X2.4	82.4	3.2	32	S41
22	20541-36-16T	M36X2	25	16	O20.3X2.4	82.4	3.2	32	S46
23	20541-42-16T	M42X2	25	16	O25.3X2.4	83.6	3.9	33.2	S50
24	20541-42-20W	M42X2	32	20	O25.3X2.4	100	3.9	40.1	S50
25	20541-52-20T	M52X2	32	20	O33.3X2.4	99.7	9	39.4	S60
26	20541-52-24T	M52X2	38	24	O33.3X2.4	112	9	42.5	S60

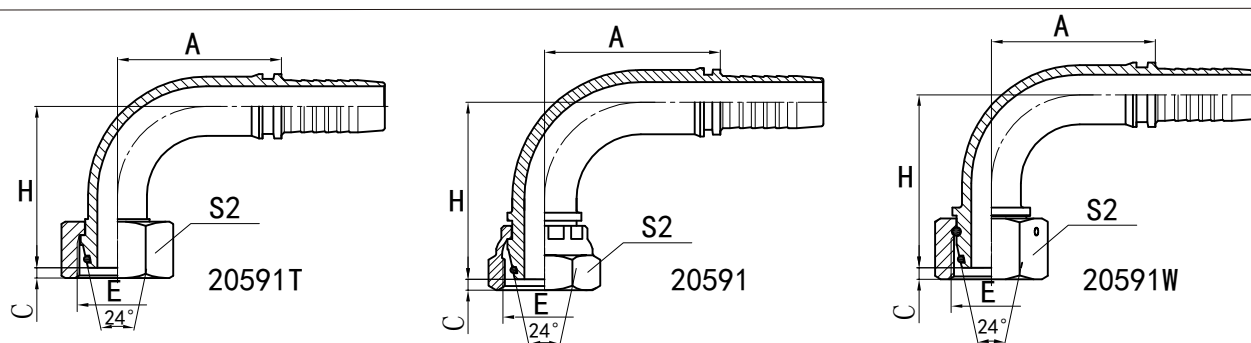
注：表中代号用于编织软管，如用于缠绕软管代号改为20542-XX-XX。

Note:NO. in table match with braided hose.P/N 20542-XX match with spiral hose.

Ningbo AKJia Hydraulic Co.,Ltd.

www.akjia.com





90° 公制内螺纹24°锥带O形圈重系列

90° METRIC FEMALE 24° CONE O-RING H. T. ISO 12151-2-DIN 3865

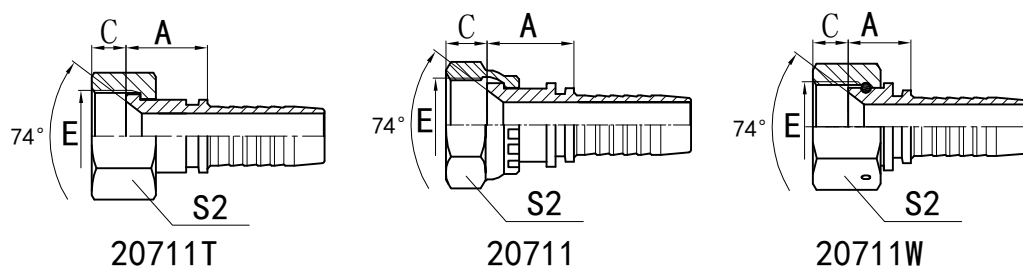
序号 SN	产品代号 PART NO.	螺纹 E THREAD E	胶管HOSE BORE		O型圈 O-RING	尺寸 DIMENSIONS			
			公称内径 DN	标号 DASH		A	C	H	S2
1	20591-14-04T	M14X1.5	6	04	O04.5X1.5	27	1.7	30.4	S17
2	20591-16-04T	M16X1.5	6	04	O06.5X1.5	27	1.8	31	S19
3	20591-16-05T	M16X1.5	8	05	O06.5X1.5	29	1.8	32	S19
4	20591-16-06	M16X1.5	10	06	O06.5X1.5	29	1.5	34.5	S22
5	20591-18-04T	M18X1.5	6	04	O08.0X1.5	28	1.5	32.5	S22
6	20591-18-05T	M18X1.5	8	05	O08.0X1.5	32	1.5	36.5	S22
7	20591-18-06T	M18X1.5	10	06	O08.0X1.5	34.5	1.5	37.5	S22
8	20591-20-05T	M20X1.5	8	05	O10.0X1.5	32	2.5	37	S24
9	20591-20-06T	M20X1.5	10	06	O10.0X1.5	34.5	2.5	38	S24
10	20591-20-08	M20X1.5	13	08	O10.0X1.5	35	2.5	41.5	S27
11	20591-22-06T	M22X1.5	10	06	O11.0X2.0	34.5	3	38.5	S27
12	20591-22-08T	M22X1.5	13	08	O11.0X2.0	41	3	44.5	S27
13	20591-24-06T	M24X1.5	10	06	O13.0X2.0	34.5	3	38.5	S30
14	20591-24-08T	M24X1.5	13	08	O13.0X2.0	41	3	44.5	S30
15	20591-24-10W	M24X1.5	16	10	O13.0X2.0	43.5	3	52	S30
16	20591-30-08T	M30X2	13	08	O16.3X2.4	41	2.5	48.5	S36
17	20591-30-10T	M30X2	16	10	O16.3X2.4	53	2.5	55	S36
18	20591-30-12T	M30X2	19	12	O16.3X2.4	58	2.5	55	S36
19	20591-36-12TS41	M36X2	19	12	O20.3X2.4	61	3	59.8	S41
20	20591-36-12T	M36X2	19	12	O20.3X2.4	61	3.2	59.8	S46
21	20591-36-16TS41	M36X2	25	16	O20.3X2.4	75	3.2	69.8	S41
22	20591-36-16T	M36X2	25	16	O20.3X2.4	75	3.2	69.8	S46
23	20591-42-16T	M42X2	25	16	O25.3X2.4	75	3.9	71.6	S50
24	20591-42-20W	M42X2	32	20	O25.3X2.4	91	3.9	87.5	S50
25	20591-52-20T	M52X2	32	20	O33.3X2.4	91	9	86.5	S60
26	20591-52-24T	M52X2	38	24	O33.3X2.4	106	9	97	S60

注：表中代号用于编织软管，如用于缠绕软管代号改为20592-XX-XX。

Note:NO. in table match with braided hose.P/N 20592-XX match with spiral hose.

Ningbo AKJia Hydraulic Co.,Ltd.

www.akjia.com



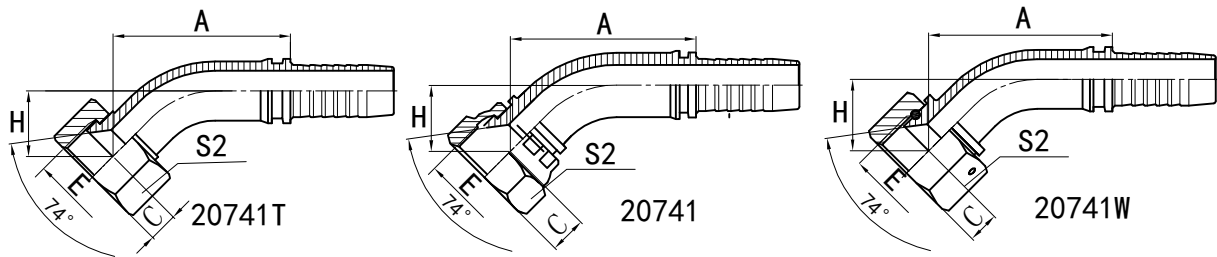
国标公制内螺纹74°密封

GB METRIC FEMALE 74° CONE SEAT

序号 SN	产品代号 PART NO.	螺纹 E THREAD E	胶管HOSE BORE		尺寸 DIMENSIONS		
			公称内径 DN	标号 DASH	A	C	S2
1	20711-12-04	M12X1.5	6	04	14.5	10	17
2	20711-14-04T	M14X1.5	6	04	16.5	8.5	17
3	20711-16-04T	M16X1.5	6	04	16	8	19
4	20711-16-05T	M16X1.5	8	05	16.5	8	19
5	20711-16-06	M16X1.5	10	06	16	10	22
6	20711-18-05T	M18X1.5	8	05	18	8	22
7	20711-18-06T	M18X1.5	10	06	19	8	22
8	20711-22-06T	M22X1.5	10	06	19	10	27
9	20711-22-08T	M22X1.5	13	08	19.5	10	27
10	20711-27-08T	M27X1.5	13	08	18.5	10	32
11	20711-27-10T	M27X1.5	16	10	19.5	10	32
12	20711-30-10T	M30X1.5	16	10	19.5	11	36
13	20711-30-12T	M30X1.5	19	12	23.5	11	36
14	20711-36-12T	M36X2	19	12	21	13	41
15	20711-36-16T	M36X2	25	16	22	13	41
16	20711-39-16T	M39X2	25	16	23.5	13	46
17	20711-42-16T	M42X2	25	16	23.5	15	50
18	20711-42-20W	M42X2	32	20	25.5	15	50
19	20711-45-16T	M45X2	25	16	23.5	15	55
20	20711-45-20T	M45X2	32	20	25	15	55
21	20711-52-20T	M52X2	32	20	25	17	60
22	20711-52-24T	M52X2	38	24	25	17	60
23	20711-64-32T	M64X2	51	32	26	23	75

注：表中代号用于编织软管，如用于缠绕软管代号改为20712-XX-XX。

Note: NO. in table match with braided hose. P/N 20712-XX match with spiral hose.



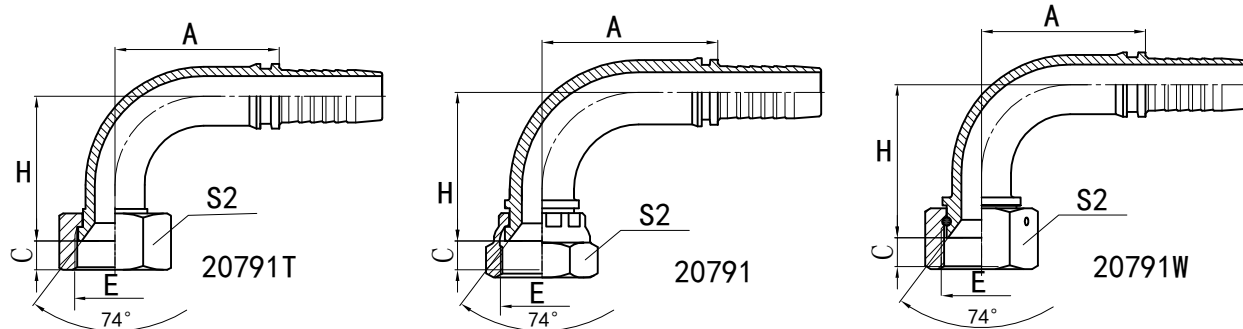
45° 国标公制内螺纹74°密封

45° GB METRIC FEMALE 74° CONE

序号 SN	产品代号 PART NO.	螺纹 E THREAD E	胶管HOSE BORE		尺寸 DIMENSIONS			
			公称内径 DN	标号 DASH	A	C	H	S2
1	20741-12-04	M12X1.5	6	04	35.7	10	18.1	17
2	20741-14-04T	M14X1.5	6	04	35.3	8.5	15.7	17
3	20741-16-04T	M16X1.5	6	04	38.2	8	18.5	19
4	20741-16-05T	M16X1.5	8	05	42.4	8	20	19
5	20741-16-06	M16X1.5	10	06	44.4	10	20.5	22
6	20741-18-05T	M18X1.5	8	05	42.7	8	20.4	22
7	20741-18-06T	M18X1.5	10	06	44.8	8	20.8	22
8	20741-22-06T	M22X1.5	10	06	44.8	10	20.8	27
9	20741-22-08T	M22X1.5	13	08	47	10	20.1	27
10	20741-27-08T	M27X1.5	13	08	48.5	10	21.5	32
11	20741-27-10T	M27X1.5	16	10	59.1	10	22.8	32
12	20741-30-10T	M30X1.5	16	10	59.1	11	22.8	36
13	20741-30-12T	M30X1.5	19	12	67.6	11	25.9	36
14	20741-36-12T	M36X2	19	12	67.6	13	25.9	41
15	20741-36-16T	M36X2	25	16	79.7	13	29.3	41
16	20741-39-16T	M39X2	25	16	80.4	13	30	46
17	20741-42-16T	M42X2	25	16	81.8	15	31.4	50
18	20741-42-20W	M42X2	32	20	95	15	34.8	50
19	20741-45-16T	M45X2	25	16	81.8	15	31.4	55
20	20741-45-20T	M45X2	32	20	94.7	15	34.5	55
21	20741-52-20T	M52X2	32	20	94.7	17	34.5	60
22	20741-52-24T	M52X2	38	24	110	17	40.4	60
23	20741-64-32T	M64X2	51	32	137	23	48.3	75

注：表中代号用于编织软管，如用于缠绕软管代号改为20742-XX-XX。

Note: NO. in table match with braided hose. P/N 20742-XX match with spiral hose.



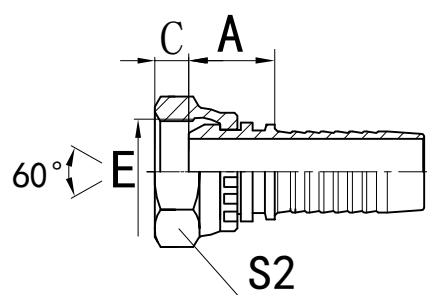
90° 国标公制内螺纹74°密封

90° GB METRIC FEMALE 74° CONE

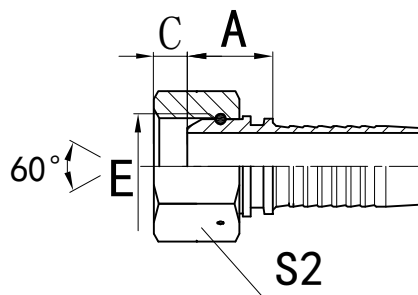
序号 SN	产品代号 PART NO.	螺纹 E THREAD E	胶管HOSE BORE		尺寸 DIMENSIONS			
			公称内径 DN	标号 DASH	A	C	H	S2
1	20791-12-04	M12X1.5	6	04	27	10	32.5	17
2	20791-14-04T	M14X1.5	6	04	27	8.5	29.4	17
3	20791-16-04T	M16X1.5	6	04	27	8	33.4	19
4	20791-16-05T	M16X1.5	8	05	32	8	38	19
5	20791-16-06	M16X1.5	10	06	34.5	10	39.5	22
6	20791-18-05T	M18X1.5	8	05	32	8	38.5	22
7	20791-18-06T	M18X1.5	10	06	34.5	8	40	22
8	20791-22-06T	M22X1.5	10	06	34.5	10	40	27
9	20791-22-08T	M22X1.5	13	08	41	10	42.5	27
10	20791-27-08T	M27X1.5	13	08	41	10	44.5	32
11	20791-27-10T	M27X1.5	16	10	53	10	49	32
12	20791-30-10T	M30X1.5	16	10	53	11	49	36
13	20791-30-12T	M30X1.5	19	12	61	11	56	36
14	20791-36-12T	M36X2	19	12	61	13	56	41
15	20791-36-16T	M36X2	25	16	75	13	66	41
16	20791-39-16T	M39X2	25	16	75	13	67	46
17	20791-42-16T	M42X2	25	16	75	15	69	50
18	20791-42-20W	M42X2	32	20	91	15	80	50
19	20791-45-16T	M45X2	25	16	75	15	69	55
20	20791-45-20T	M45X2	32	20	91	15	79.5	55
21	20791-52-20T	M52X2	32	20	91	17	79.5	60
22	20791-52-24T	M52X2	38	24	106	17	94	60
23	20791-64-32T	M64X2	51	32	132	23	117	75

注：表中代号用于编织软管，如用于缠绕软管代号改为20792-XX-XX。

Note: NO. in table match with braided hose. P/N 20792-XX match with spiral hose.



22611



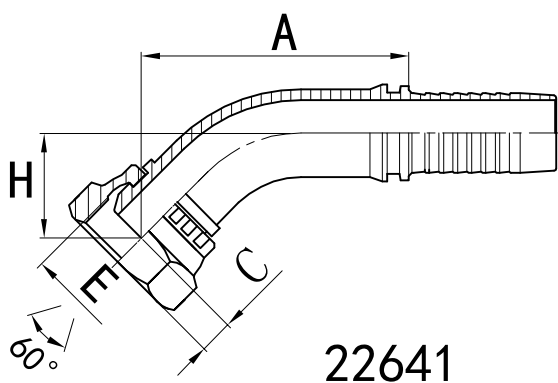
22611W

英管内螺纹60°外锥面  
BSP FEMALE 60° CONE

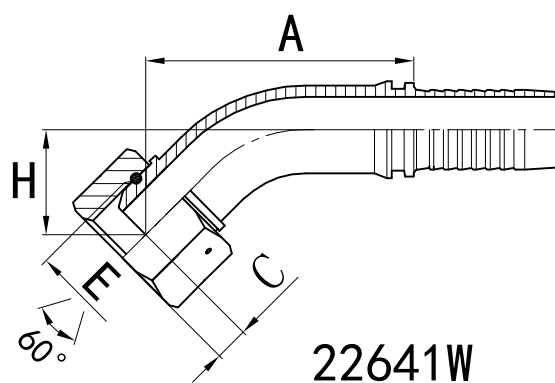
序号 SN	产品代号 PART NO.	螺纹 E THREAD E	胶管HOSE BORE		尺寸 DIMENSIONS		
			公称内径 DN	标号 DASH	A	C	S1
1	22611-04-04	G1/4" X19	6	04	18	5.5	S19
2	22611-06-04	G3/8" X19	6	04	19	6.3	S22
3	22611-06-06	G3/8" X19	10	06	19.5	6.3	S22
4	22611-06-08	G3/8" X19	13	08	19.5	6.3	S22
5	22611-08-06	G1/2" X14	10	06	21	7.5	S27
6	22611-08-08	G1/2" X14	13	08	21.5	7.5	S27
7	22611-12-10	G3/4" X14	16	10	23.5	10.9	S32
8	22611-12-12	G3/4" X14	19	12	24	10.9	S32
9	22611-16-16	G1" X11	25	16	27	11.7	S41
10	22611-20-20W	G1.1/4" X11	32	20	30.5	11	S50
11	22611-24-24W	G1.1/2" x11	38	24	33	13	S55
12	22611-32-32W	G2" X11	51	32	33	16	S70

注：表中代号用于编织软管，如用于缠绕软管代号改为22612-XX-XX。

Note:NO. in table match with braided hose.P/N 22612-XX match with spiral hose.



22641



22641W

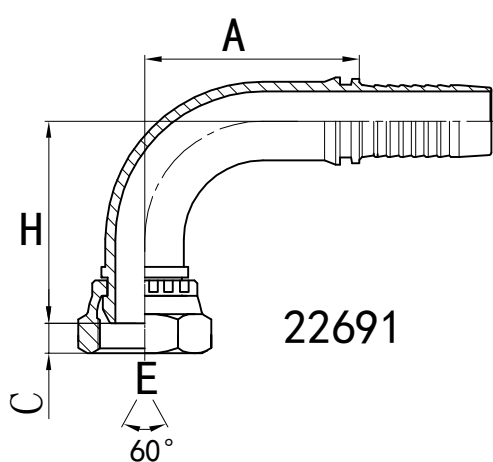
45° 英管内螺纹60° 外锥面

45° BSP FEMALE 60° CONE

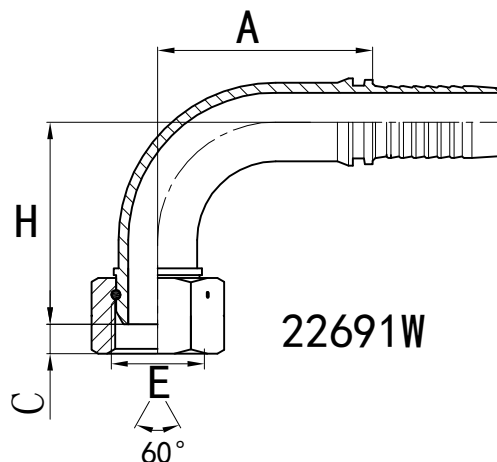
序号 SN	产品代号 PART NO.	螺纹 E THREAD E	胶管HOSE BORE		尺寸 DIMENSIONS			
			公称内径 DN	标号 DASH	A	C	H	S2
1	22641-04-04	G1/4" X19	6	04	36	5.5	16.4	S19
2	22641-06-04	G3/8" X19	6	04	37	6.3	17.3	S22
3	22641-06-06	G3/8" X19	10	06	42.8	6.3	18.8	S22
4	22641-06-08	G3/8" X19	13	08	47.3	6.3	18.8	S22
5	22641-08-06	G1/2" X14	10	06	44.8	7.5	20.8	S27
6	22641-08-08	G1/2" X14	13	08	48.8	7.5	21.9	S27
7	22641-12-10	G3/4" X14	16	10	62.4	10.9	26.1	S32
8	22641-12-12	G3/4" X14	19	12	69.1	10.9	27.4	S32
9	22641-16-16	G1" X11	25	16	82.7	11.7	32.3	S41
10	22641-20-20W	G1.1/4" X11	32	20	98.2	11	38	S50
11	22641-24-24W	G1.1/2" x11	38	24	115	13	44.6	S55
12	22641-32-32W	G2" X11	51	32	141	16	52.7	S70

注：表中代号用于编织软管，如用于缠绕软管代号改为22642-XX-XX。

Note:NO. in table match with braided hose.P/N 22642-XX match with spiral hose.



22691



22691W

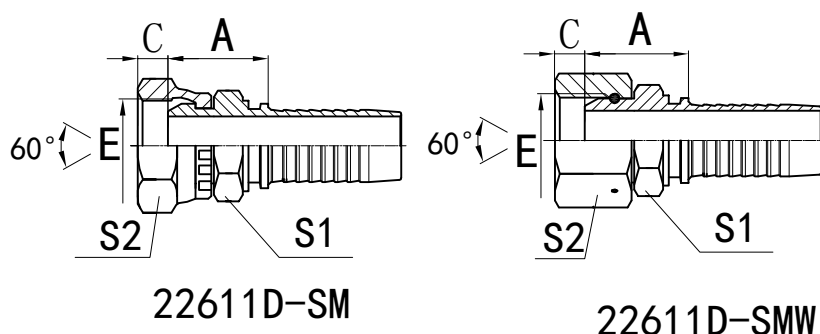
90° 英管内螺纹60° 外锥面

90° BSP FEMALE 60° CONE

序号 SN	产品代号 PART NO.	螺纹 E THREAD E	胶管HOSE BORE		尺寸 DIMENSIONS			
			公称内径 DN	标号 DASH	A	C	H	S2
1	22691-04-04	G1/4" X19	6	04	27	5.5	30.5	S19
2	22691-06-04	G3/8" X19	6	04	27	6.3	31.7	S22
3	22691-06-06	G3/8" X19	10	06	34.5	6.3	37.2	S22
4	22691-06-08	G3/8" X19	13	08	39	6.3	37.2	S22
5	22691-08-06	G1/2" X14	10	06	34.5	7.5	40	S27
6	22691-08-08	G1/2" X14	13	08	41	7.5	46	S27
7	22691-12-10	G3/4" X14	16	10	53	10.9	53.6	S32
8	22691-12-12	G3/4" X14	19	12	61	10.9	58.1	S32
9	22691-16-16	G1" X11	25	16	75	11.7	70.3	S41
10	22691-20-20W	G1.1/4" X11	32	20	91	11	84.5	S50
11	22691-24-24W	G1.1/2" x11	38	24	106	13	100	S55
12	22691-32-32W	G2" X11	51	32	132	16	123	S70

注：表中代号用于编织软管，如用于缠绕软管代号改为22692-XX-XX。

Note:NO. in table match with braided hose.P/N 22692-XX match with spiral hose.



英管内螺纹60°外锥面双六角

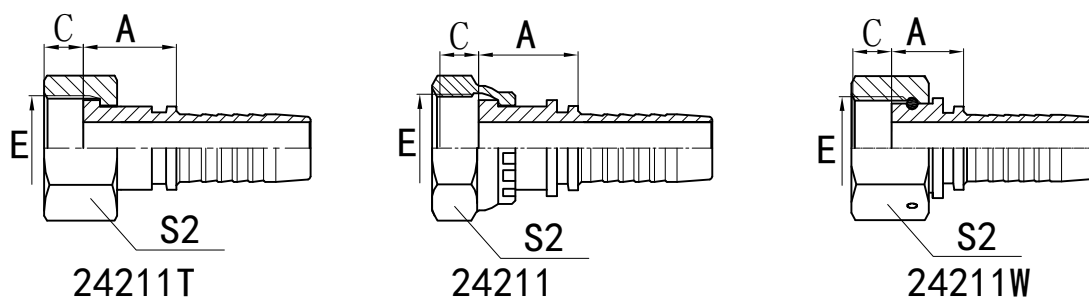
BSP FEMALE 60° CONE DOUBLE HEXAGON

序号 SN	产品代号 PART NO.	螺纹 E THREAD E	胶管HOSE BORE		尺寸 DIMENSIONS			
			公称内径 DN	标号 DASH	A	C	S1	S2
1	22611D-04-04SM	G1/4" X19	6	04	23.5	5.5	S14	S19
2	22611D-06-06SM	G3/8" X19	10	06	26	6.3	S17	S22
3	22611D-08-06SM	G1/2" X14	10	06	30.5	7.5	S19	S27
4	22611D-08-08SM	G1/2" X14	13	08	31	7.5	S19	S27
5	22611D-12-12SM	G3/4" X14	19	12	33.5	10.9	S27	S32
6	22611D-16-16SM	G1" X11	25	16	36	11.7	S32	S41
7	22611D-20-20SMW	G1.1/4" X11	32	20	44	11	S41	S50
8	22611D-24-24SMW	G1.1/2" x11	38	24	45	13	S46	S55
9	22611D-32-32SMW	G2" X11	51	32	45	16	S60	S70

注：表中代号用于编织软管，如用于缠绕软管代号改为22612D-XX-XXSM。

Note:NO. in table match with braided hose.P/N 22612D-XX match with spiral hose.





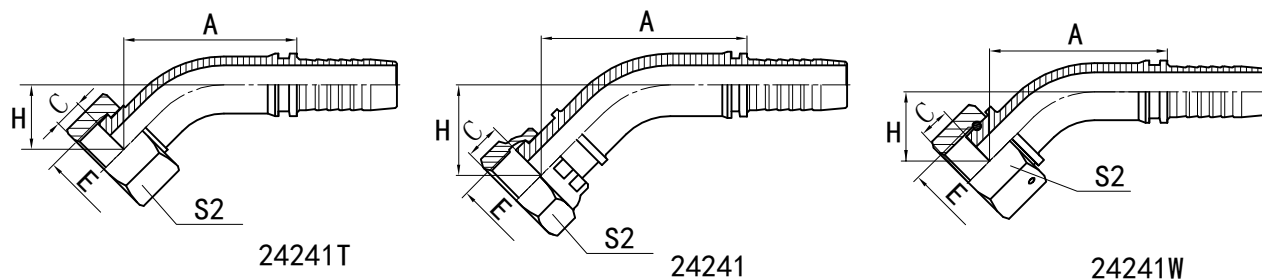
美制ORFS 内螺纹平面

ORFS FEMALE FLAT SEAT ISO 12151-1--SAE J1453

序号 SN	产品代号 PART NO.	螺纹 E THREAD E	胶管HOSE BORE		尺寸 DIMENSIONS		
			公称内径 DN	标号 DASH	A	C	S2
1	24211-04-04	9/16"X18	6	04	22.5	8.5	S19
2	24211-06-04T	11/16"X16	6	04	23.5	10	S22
3	24211-06-06	11/16"X16	10	06	25.5	10	S22
4	24211-08-06T	13/16"X16	10	06	25	11	S27
5	24211-08-08	13/16"X16	13	08	28	11	S27
6	24211-10-08	1"X14	13	08	32.5	13.5	S30
7	24211-10-10	1"X14	16	10	33	13.5	S30
8	24211-12-08T	1.3/16"X12	13	08	30.5	15	S36
9	24211-12-10T	1.3/16"X12	16	10	32	15	S36
10	24211-12-12T	1.3/16"X12	19	12	33	15	S36
11	24211-16-12T	1.7/16"X12	19	12	35	14.8	S41
12	24211-16-16T	1.7/16"X12	25	16	34.5	14.8	S41
13	24211-20-20W	1.11/16"X12	32	20	42.5	15	S50
14	24211-24-24T	2"X12	38	24	36	14.8	S60

注：表中代号用于编织软管，如用于缠绕软管代号改为24212-XX-XX。

Note:NO. in table match with braided hose.P/N 24212-XX match with spiral hose.



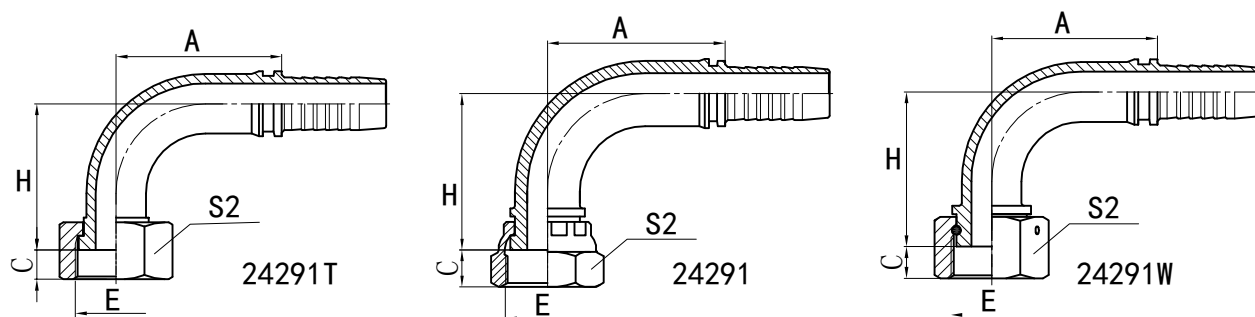
45° 美制ORFS 内螺纹平面

45° ORFS FEMALE FLAT SEAT ISO 12151-1--SAE J1453

序号 SN	产品代号 PART NO.	螺纹 E THREAD E	胶管HOSE BORE		尺寸 DIMENSIONS			
			公称内径 DN	标号 DASH	A	C	H	S2
1	24241-04-04	9/16"X18	6	04	30.7	8.5	11.1	S19
2	24241-06-04T	11/16"X16	6	04	35.8	10	16.1	S22
3	24241-06-06	11/16"X16	10	06	37.7	10	13.8	S22
4	24241-08-06T	13/16"X16	10	06	44.1	11	20.1	S27
5	24241-08-08	13/16"X16	13	08	44.3	11	17.5	S27
6	24241-10-08	1"X14	13	08	48.5	13.5	21.5	S30
7	24241-10-10	1"X14	16	10	56	13.5	19.7	S30
8	24241-12-08T	1.3/16"X12	13	08	49.2	15	22.2	S36
9	24241-12-10T	1.3/16"X12	16	10	59.1	15	22.8	S36
10	24241-12-12T	1.3/16"X12	19	12	66.2	15	24.5	S36
11	24241-16-12T	1.7/16"X12	19	12	68.3	14.8	26.6	S41
12	24241-16-16T	1.7/16"X12	25	16	79	14.8	28.6	S41
13	24241-20-20W	1.11/16"X12	32	20	98.6	15	38.4	S50
14	24241-24-24T	2"X12	38	24	106	14.8	36.8	S60

注：表中代号用于编织软管，如用于缠绕软管代号改为24242-XX-XX。

Note:NO. in table match with braided hose.P/N 24242-XX match with spiral hose.



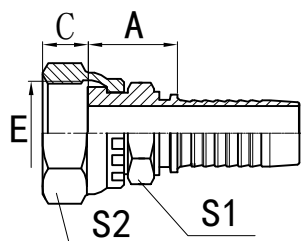
90° 美制ORFS 内螺纹平面

90° ORFS FEMALE FLAT SEAT ISO 12151-1--SAE J1453

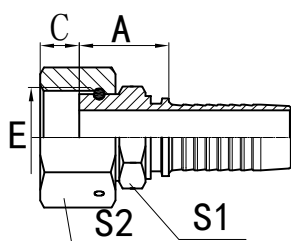
序号 SN	产品代号 PART NO.	螺纹 E THREAD E	胶管HOSE BORE		尺寸 DIMENSIONS			
			公称内径 DN	标号 DASH	A	C	H	S2
1	24291-04-04	9/16"X18	6	04	27	8.5	24.4	S19
2	24291-06-04T	11/16"X16	6	04	27	10	30	S22
3	24291-06-06	11/16"X16	10	06	34.5	10	30	S22
4	24291-08-06T	13/16"X16	10	06	34.5	11	39	S27
5	24291-08-08	13/16"X16	13	08	40.7	11	38.7	S27
6	24291-10-08	1"X14	13	08	41	13.5	44.5	S30
7	24291-10-10	1"X14	16	10	53	13.5	44.5	S30
8	24291-12-08T	1.3/16"X12	13	08	41	15	45.5	S36
9	24291-12-10T	1.3/16"X12	16	10	53	15	49	S36
10	24291-12-12T	1.3/16"X12	19	12	61	15	54	S36
11	24291-16-12T	1.7/16"X12	19	12	61	14.8	57	S41
12	24291-16-16T	1.7/16"X12	25	16	75	14.8	65	S41
13	24291-20-20W	1.11/16"X12	32	20	91	15	85	S50
14	24291-24-24T	2"X12	38	24	106	14.8	89	S60

注：表中代号用于编织软管，如用于缠绕软管代号改为24292-XX-XX。

Note: NO. in table match with braided hose. P/N 24292-XX match with spiral hose.



24211D-SM



24211D-SMW

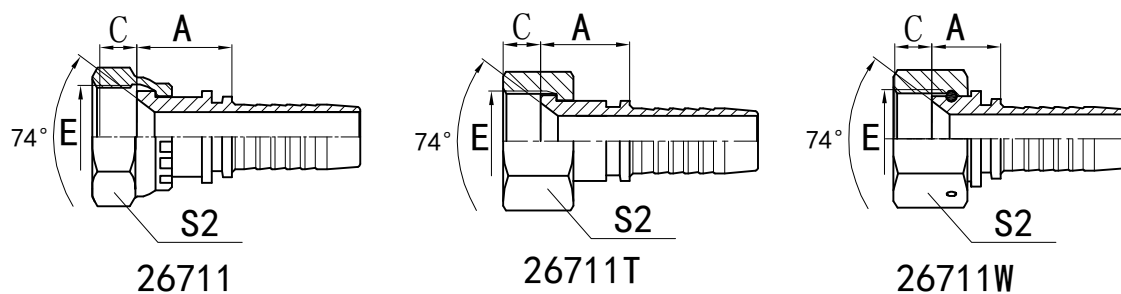
美制ORFS 内螺纹平面双六角

ORFS FEMALE FLAT SEAT DOUBLE HEXAGON

序号 SN	产品代号 PART NO.	螺纹 E THREAD E	胶管HOSE BORE		尺寸 DIMENSIONS			
			公称内径 DN	标号 DASH	A	C	S1	S2
1	24211D-04-04SM	9/16"X18	6	04	28.5	8.5	S14	S19
2	24211D-06-06SM	11/16"X16	10	06	31.5	10	S17	S22
3	24211D-08-08SM	13/16"X16	13	08	37.5	11	S19	S27
4	24211D-10-10SM	1"X14	16	10	43	13.5	S24	S30
5	24211D-12-12SM	1.3/16"X12	19	12	44.5	15	S30	S36
6	24211D-16-16SM	1.7/16"X12	25	16	50	14.8	S36	S41
7	24211D-20-20SMW	1.11/16"X12	32	20	54.5	15	S41	S50
8	24211D-24-24SMW	2"X12	38	24	56	14.8	S50	S60

注：表中代号用于编织软管，如用于缠绕软管代号改为24212D-XX-XXSM。

Note:NO. in table match with braided hose.P/N 24212D-XX match with spiral hose.



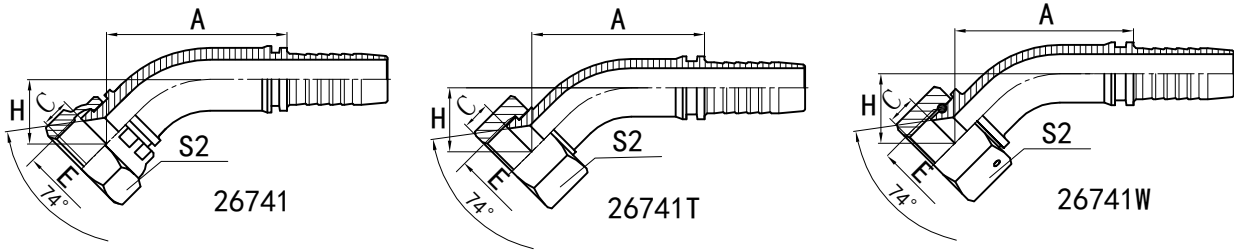
美制JIC 内螺纹74° 内锥面

JIC FEMALE 74° CONE SEAT SAE J514

序号 SN	产品代号 PART NO.	螺纹 E THREAD E	胶管HOSE BORE		尺寸 DIMENSIONS		
			公称内径 DN	标号 DASH	A	C	S1
1	26711-04-04	7/16"X20	6	04	15	9	S15
2	26711-04-05	7/16"X20	8	05	15	9	S15
3	26711-06-06	9/16"X18	10	06	15.5	10.5	S19
4	26711-08-06	3/4"X16	10	06	17.5	11	S24
5	26711-08-08	3/4"X16	13	08	18.5	11	S24
6	26711-08-10	3/4"X16	16	10	19	11	S24
7	26711-10-08	7/8"X14	13	08	19	13	S27
8	26711-10-10	7/8"X14	16	10	19.5	13	S27
9	26711-12-10	1.1/16"X12	16	10	21	15	S32
10	26711-12-12	1.1/16"X12	19	12	21.5	15	S32
11	26711-16-12	1.5/16"X12	19	12	21.5	16	S41
12	26711-16-16	1.5/16"X12	25	16	22.5	16	S41
13	26711-20-20W	1.5/8"X12	32	20	26.5	17	S50
14	26711-24-24W	1.7/8"X12	38	24	30.5	20	S55
15	26711-32-24T	2.1/2"X12	38	24	27	23.5	S75
16	26711-32-32T	2.1/2"X12	51	32	27	23.5	S75

注：表中代号用于编织软管，如用于缠绕软管代号改为26712-XX-XX。

Note:NO. in table match with braided hose.P/N 26712-XX match with spiral hose.



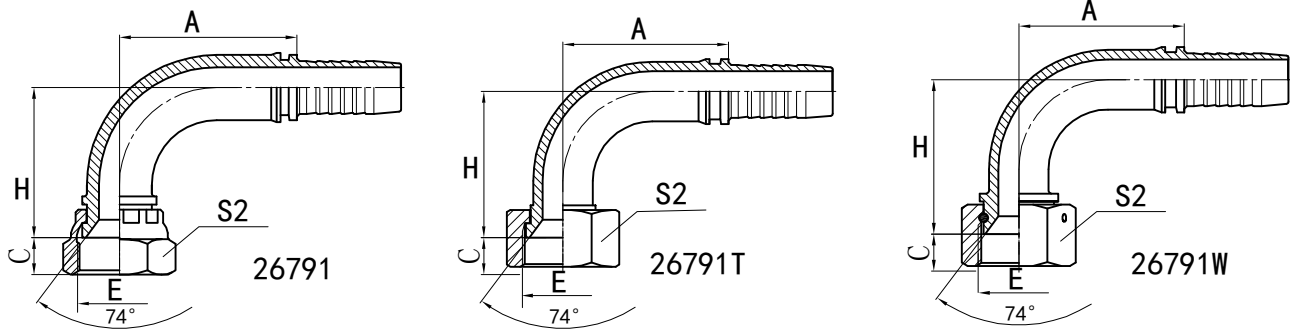
45° 美制JIC 内螺纹74° 内锥面

45° JIC FEMALE 74° CONE SEAT SAE J514

序号 SN	产品代号 PART NO.	螺纹 E THREAD E	胶管HOSE BORE		尺寸 DIMENSIONS			
			公称内径 DN	标号 DASH	A	C	H	S2
1	26741-04-04	7/16"X20	6	04	33.9	9	14.3	S15
2	26741-04-05	7/16"X20	8	05	34.9	9	14.3	S15
3	26741-06-06	9/16"X18	10	06	40.2	10.5	16.2	S19
4	26741-08-06	3/4"X16	10	06	41.6	11	17.6	S24
5	26741-08-08	3/4"X16	13	08	46.3	11	19.4	S24
6	26741-08-10	3/4"X16	16	10	51	11	20.1	S24
7	26741-10-08	7/8"X14	13	08	47.4	13	20.5	S27
8	26741-10-10	7/8"X14	16	10	59.5	13	23.2	S27
9	26741-12-10	1.1/16"X12	16	10	60.2	15	23.9	S32
10	26741-12-12	1.1/16"X12	19	12	66.9	15	25.2	S32
11	26741-16-12	1.5/16"X12	19	12	67.6	16	25.9	S41
12	26741-16-16	1.5/16"X12	25	16	79.3	16	28.9	S41
13	26741-20-20W	1.5/8"X12	32	20	95.4	17	35.2	S50
14	26741-24-24W	1.7/8"X12	38	24	112	20	42.8	S55
15	26741-32-24W	2.1/2"X12	38	24	113	23.5	43.6	S75
16	26741-32-32W	2.1/2"X12	51	32	140	23.5	51.6	S75

注：表中代号用于编织软管，如用于缠绕软管代号改为26742-XX-XX。

Note:NO. in table match with braided hose.P/N 26742-XX match with spiral hose.



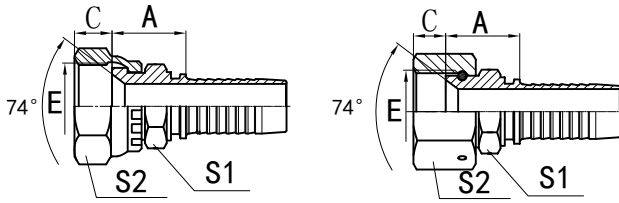
90° 美制JIC 内螺纹74° 内锥面

90° JIC FEMALE 74° CONE SEAT SAE J514

序号 SN	产品代号 PART NO.	螺纹 E THREAD E	胶管HOSE BORE		尺寸 DIMENSIONS			
			公称内径 DN	标号 DASH	A	C	H	S2
1	26791-04-04	7/16"X20	6	04	27	9	27.4	S15
2	26791-04-05	7/16"X20	8	05	28	9	27.4	S15
3	26791-06-06	9/16"X18	10	06	34.5	10.5	33.5	S19
4	26791-08-06	3/4"X16	10	06	34.5	11	35.5	S24
5	26791-08-08	3/4"X16	13	08	41	11	42.5	S24
6	26791-08-10	3/4"X16	16	10	45	11	42.5	S24
7	26791-10-08	7/8"X14	13	08	41	13	43.5	S27
8	26791-10-10	7/8"X14	16	10	53	13	49.5	S27
9	26791-12-10	1.1/16"X12	16	10	53	15	50.5	S32
10	26791-12-12	1.1/16"X12	19	12	61	15	55	S32
11	26791-16-12	1.5/16"X12	19	12	61	16	56	S41
12	26791-16-16	1.5/16"X12	25	16	75	16	65.5	S41
13	26791-20-20W	1.5/8"X12	32	20	91	17	80.5	S50
14	26791-24-24W	1.7/8"X12	38	24	106	20	97.5	S55
15	26791-32-24W	2.1/2"X12	38	24	106	23.5	98.5	S75
16	26791-32-32W	2.1/2"X12	51	32	132	23.5	122	S75

注：表中代号用于编织软管，如用于缠绕软管代号改为26792-XX-XX。

Note:NO. in table match with braided hose.P/N 26792-XX match with spiral hose.



26711D-SM

26711D-SMW

美制JIC 内螺纹74° 内锥面双六角

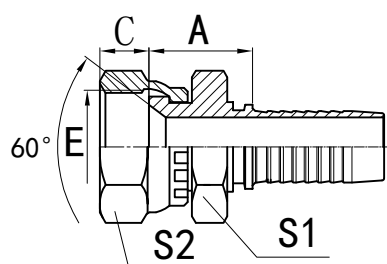
IC FEMALE 74° CONE SEAT DOUBLE HEXAGON

序号 SN	产品代号 PART NO.	螺纹 E THREAD E	胶管HOSE BORE		尺寸 DIMENSIONS			
			公称内径 DN	标号 DASH	A	C	S1	S2
1	26711D-04-04SM	7/16"X20	6	04	20	9	S12	S15
2	26711D-04-05SM	7/16"X20	8	05	20	9	S14	S15
3	26711D-06-06SM	9/16"X18	10	06	21	10.5	S17	S19
4	26711D-06-08SM	9/16"X18	13	08	21.5	10.5	S19	S19
5	26711D-08-06SM	3/4"X16	10	06	25	11	S19	S24
6	26711D-08-08SM	3/4"X16	13	08	24.5	11	S19	S24
7	26711D-08-10SM	3/4"X16	16	10	25	11	S22	S24
8	26711D-10-08SM	7/8"X14	13	08	25	13	S22	S27
9	26711D-10-10SM	7/8"X14	16	10	26.5	13	S22	S27
10	26711D-12-10SM	1.1/16"X12	16	10	31.5	15	S27	S32
11	26711D-12-12SM	1.1/16"X12	19	12	32	15	S27	S32
12	26711D-16-12SM	1.5/16"X12	19	12	33.5	16	S32	S41
13	26711D-16-16SM	1.5/16"X12	25	16	34.5	16	S32	S41
14	26711D-20-20SMW	1.5/8"X12	32	20	38	17	S41	S50
15	26711D-24-20SMW	1.7/8"X12	32	20	41.5	20	S46	S55
16	26711D-24-24SMW	1.7/8"X12	38	24	41.5	20	S46	S55
17	26711D-32-24SMW	2.1/2"X12	38	24	44	23.5	S65	S75
18	26711D-32-32SMW	2.1/2"X12	51	32	44	23.5	S65	S75

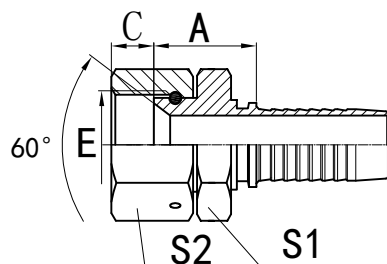
注：表中代号用于编织软管，如用于缠绕软管代号改为26712D-XX-XXSM。

Note:NO. in table match with braided hose.P/N 26712D-XX match with spiral hose.





28611



28611W

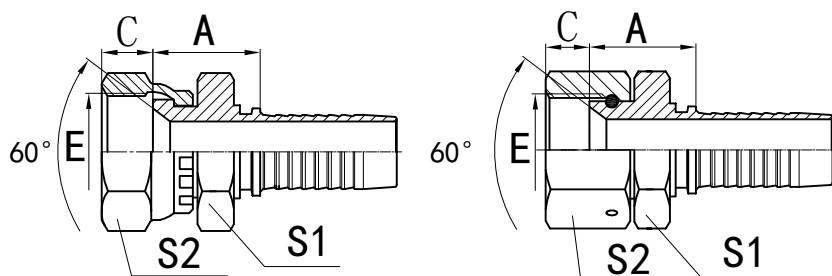
日本公制内螺纹60°内锥面

JIS METRIC FEMALE 60° CONE SEAT

序号 SN	产品代号 PART NO.	螺纹 E THREAD E	胶管HOSE BORE		尺寸 DIMENSIONS			
			公称内径 DN	标号 DASH	A	C	S1	S2
1	28611-14-04	M14X1.5	6	04	21	10.5	19	19
2	28611-16-05	M16X1.5	8	05	24	10	22	22
3	28611-16-06	M16X1.5	10	06	24	10	22	22
4	28611-18-06	M18X1.5	10	06	24	11.5	24	24
5	28611-20-08	M20X1.5	12	08	28.5	12	27	27
6	28611-22-08	M22X1.5	12	08	28.5	14	27	27
7	28611-24-08	M24X1.5	12	08	28.5	15	32	32
8	28611-24-10	M24X1.5	16	10	28.5	15	32	32
9	28611-30-12	M30X1.5	20	12	28.5	18.3	36	36
10	28611-33-12	M33X1.5	20	12	31	21.3	41	41
11	28611-36-16	M36X1.5	25	16	34.5	20	46	46
12	28611-42-20W	M42X1.5	32	20	40	18.8	55	55

注：表中代号用于编织软管，如用于缠绕软管代号改为28612-XX-XX。

Note: NO. in table match with braided hose. P/N 28612-XX match with spiral hose.



日本英制内螺纹60°内锥面

JIS GAS FEMALE 60° CONE SEAT

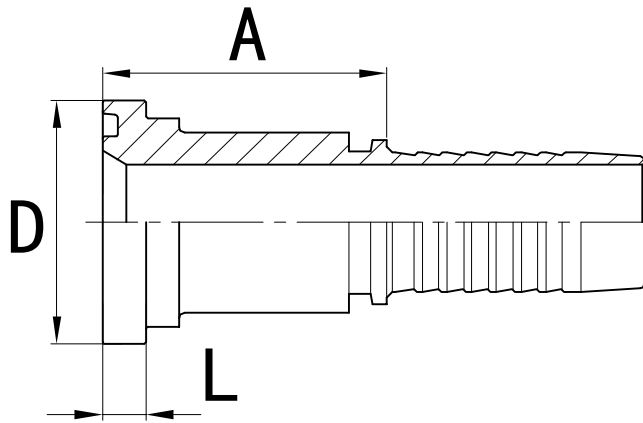
29611

29611W

序号 SN	产品代号 PART NO.	螺纹 E THREAD E	胶管HOSE BORE		尺寸 DIMENSIONS			
			公称内径 DN	标号 DASH	A	C	S1	S2
1	29611-04-04	G1/4"X19	6	04	21	8	S19	S19
2	29611-06-05	G3/8"X19	8	05	23	9	S22	S22
3	29611-06-06	G3/8"X19	10	06	23	9	S22	S22
4	29611-08-08	G1/2"X14	13	08	26.5	12	S27	S27
5	29611-10-10	G5/8"X14	16	10	30	11.5	S30	S30
6	29611-12-12	G3/4"X14	19	12	30.5	13.5	S32	S32
7	29611-16-16	G1"X11	25	16	34	16	S41	S41
8	29611-20-20W	G1.1/4"X11	32	20	43	18.5	S50	S50
9	29611-24-24W	G1.1/2"X11	38	24	43.5	19	S55	S55
10	29611-32-32W	G2"X11	51	32	46.5	23	S70	S70

注：表中代号用于编织软管，如用于缠绕软管代号改为29612-XX-XX。

Note: NO. in table match with braided hose. P/N 29612-XX match with spiral hose.



## 87311

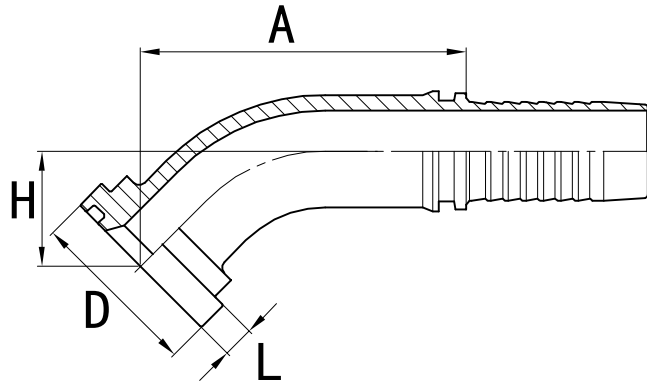
SAE 法兰 3000 PSI

SAE FLANGE 3000 PSI

序号 SN	产品代号 PART NO.	法兰型号 FLANGE NO.	胶管HOSE BORE		尺寸 DIMENSIONS		
			公称内径 DN	标号 DASH	A	D	L
1	87311-08-08	1/2"	13	08	46	30.2	6.73
2	87311-08-10	1/2"	16	10	47	30.2	6.73
3	87311-12-08	3/4"	13	08	47	38.1	6.73
4	87311-12-10	3/4"	16	10	47.5	38.1	6.73
5	87311-12-12	3/4"	19	12	48	38.1	6.73
6	87311-12-16	3/4"	25	16	49	38.1	6.73
7	87311-16-12	1"	19	12	51	44.4	8
8	87311-16-16	1"	25	16	52	44.4	8
9	87311-16-20	1"	32	20	53	44.4	8
10	87311-20-12	1.1/4"	19	12	56	50.8	8
11	87311-20-16	1.1/4"	25	16	57	50.8	8
12	87311-20-20	1.1/4"	32	20	58	50.8	8
13	87311-20-24	1.1/4"	38	24	61	50.8	8
14	87311-24-20	1.1/2"	32	20	68	60.3	8
15	87311-24-24	1.1/2"	38	24	68	60.3	8
16	87311-32-24	2"	38	24	70	71.4	9.53
17	87311-32-32	2"	51	32	70	71.4	9.53
18	87311-40-32	2.1/2"	51	32	73	84.1	9.53
19	87311-40-40	2.1/2"	63	40	76	84.1	9.53
20	87311-40-48	2.1/2"	76	48	78.5	84.1	9.53
21	87311-48-48	3"	76	48	78.5	102	9.53
22	87311-56-56	3.1/2"	90	56	87.5	114	11.2
23	87311-64-64	4"	102	64	95.5	127	11.2

注：表中代号用于编织软管，如用于缠绕软管代号改为87312-XX-XX。

Note: NO. in table match with braided hose. P/N 87312-XX match with spiral hose.



## 87341

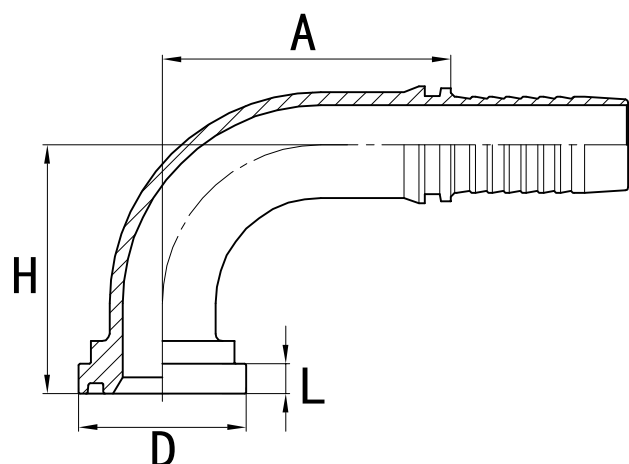
45° SAE 法兰 3000 PSI

45° SAE FLANGE 3000 PSI

序号 SN	产品代号 PART NO.	法兰型号 FLANGE NO.	胶管HOSE BORE		尺寸 DIMENSIONS			
			公称内径 DN	标号 DASH	A	H	D	L
1	87341-08-08	1/2"	13	08	49.9	22.9	30.2	6.73
2	87341-12-08	3/4"	13	08	49.9	22.9	38.1	6.73
3	87341-12-10	3/4"	16	10	60.6	24.3	38.1	6.73
4	87341-12-12	3/4"	19	12	67.6	25.9	38.1	6.73
5	87341-16-12	1"	19	12	67.6	25.9	44.4	8
6	87341-16-16	1"	25	16	79.7	29.4	44.4	8
7	87341-16-20	1"	32	20	94	33.8	44.4	8
8	87341-20-16	1.1/4"	25	16	79.7	29.3	50.8	8
9	87341-20-20	1.1/4"	32	20	94	33.8	50.8	8
10	87341-24-20	1.1/2"	32	20	95.4	35.2	60.3	8
11	87341-24-24	1.1/2"	38	24	107	38.3	60.3	8
12	87341-32-24	2"	38	24	107	38.3	71.4	9.53
13	87341-32-32	2"	51	32	135	46.3	71.4	9.53
14	87341-40-32	2.1/2"	51	32	131	47.8	84.1	9.53

注：表中代号用于编织软管，如用于缠绕软管代号改为87342-XX-XX。

Note:NO. in table match with braided hose.P/N 87342-XX match with spiral hose.

**87391**

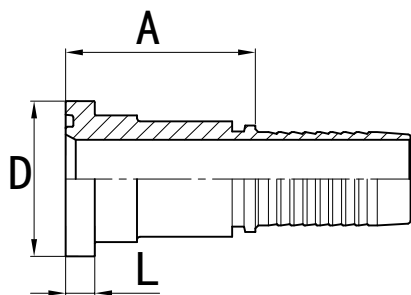
90° SAE 法兰 3000 PSI

90° SAE FLANGE 3000 PSI

序号 SN	产品代号 PART NO.	法兰型号 FLANGE NO.	胶管HOSE BORE		尺寸 DIMENSIONS			
			公称内径 DN	标号 DASH	A	H	D	L
1	87391-08-08	1/2"	13	08	41	46.5	30.2	6.73
2	87391-08-10	1/2"	16	10	53	50	30.2	6.73
3	87391-12-08	3/4"	13	08	41	46.5	38.1	6.73
4	87391-12-10	3/4"	16	10	53	51	38.1	6.73
5	87391-12-12	3/4"	19	12	61	56	38.1	6.73
6	87391-16-12	1"	19	12	61	56	44.4	8
7	87391-16-16	1"	25	16	75	66	44.4	8
8	87391-16-20	1"	32	20	91	78.5	44.4	8
9	87391-20-12	1.1/4"	19	12	61	56	50.8	8
10	87391-20-16	1.1/4"	25	16	75	66	50.8	8
11	87391-20-20	1.1/4"	32	20	91	78.5	50.8	8
12	87391-20-24	1.1/4"	38	24	97.5	78.5	50.8	8
13	87391-24-20	1.1/2"	32	20	91	80.5	60.3	8
14	87391-24-24	1.1/2"	38	24	106	91	60.3	8
15	87391-32-24	2"	38	24	106	91	71.4	9.53
16	87391-32-32	2"	51	32	132	114	71.4	9.53
17	87391-40-32	2.1/2"	51	32	132	116	84.1	9.53

注：表中代号用于编织软管，如用于缠绕软管代号改为87392-XX-XX。

Note:NO. in table match with braided hose.P/N 87392-XX match with spiral hose.



## 87611

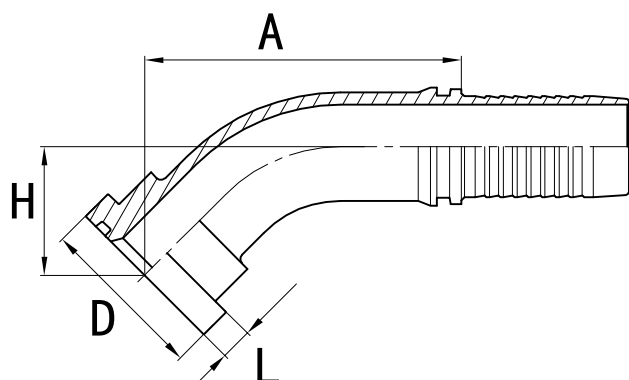
SAE 法兰 6000 PSI

SAE FLANGE 6000 PSI

序号 SN	产品代号 PART NO.	法兰型号 FLANGE NO.	胶管HOSE BORE		尺寸 DIMENSIONS		
			公称内径 DN	标号 DASH	A	D	L
1	87611-08-08	1/2"	13	08	47	31.7	7.75
2	87611-08-10	1/2"	16	10	47.5	31.7	7.75
3	87611-12-08	3/4"	13	08	50	41.3	8.76
4	87611-12-10	3/4"	16	10	50.5	41.3	8.76
5	87611-12-12	3/4"	19	12	51	41.3	8.76
6	87611-12-16	3/4"	25	16	52	41.3	8.76
7	87611-16-12	1"	19	12	56	47.6	9.53
8	87611-16-16	1"	25	16	57	47.6	9.53
9	87611-16-20	1"	32	20	61	47.6	9.53
11	87611-20-16	1.1/4"	25	16	65	54	10.3
12	87611-20-20	1.1/4"	32	20	66	54	10.3
13	87611-24-20	1.1/2"	32	20	75	63.5	12.6
14	87611-24-24	1.1/2"	38	24	75	63.5	12.6
15	87611-32-24	2"	38	24	85	79.4	12.6
16	87611-32-32	2"	51	32	85	79.4	12.6

注：表中代号用于编织软管，如用于缠绕软管代号改为87612-XX-XX。

Note:NO. in table match with braided hose.P/N 87612-XX match with spiral hose.



## 87641

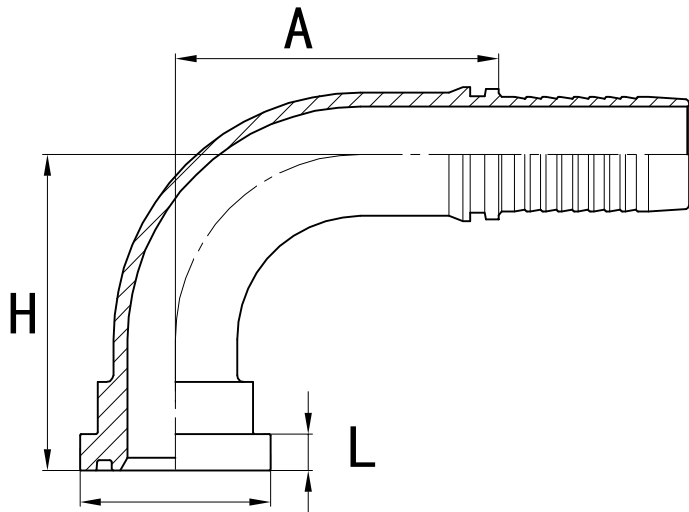
45° SAE 法兰 6000 PSI

45° SAE FLANGE 6000 PSI

序号 SN	产品代号 PART NO.	法兰型号 FLANGE NO.	胶管HOSE BORE		尺寸 DIMENSIONS			
			公称内径 DN	标号 DASH	A	H	D	L
1	87641-08-08	1/2"	13	08	49.9	22.9	31.7	7.75
2	87641-12-10	3/4"	16	10	63.4	27.1	41.3	8.76
3	87641-12-12	3/4"	19	12	70.4	28.8	41.3	8.76
4	87641-16-12	1"	19	12	72.5	30.9	47.6	9.53
5	87641-16-16	1"	25	16	84.6	34.2	47.6	9.53
6	87641-20-16	1.1/4"	25	16	87.4	37.1	54	10.3
7	87641-20-20	1.1/4"	32	20	102	41.5	54	10.3
8	87641-24-20	1.1/2"	32	20	105	45.1	63.5	12.6
9	87641-24-24	1.1/2"	38	24	117	48.2	63.5	12.6
10	87641-32-32	2"	51	32	145	61.9	79.4	12.6

注：表中代号用于编织软管，如用于缠绕软管代号改为87642-XX-XX。

Note:NO. in table match with braided hose.P/N 87642-XX match with spiral hose.



## 87691

90° SAE 法兰 6000 PSI

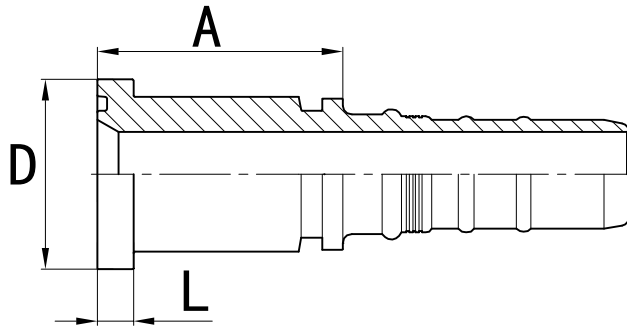
90° SAE FLANGE 6000 PSI

序号 SN	产品代号 PART NO.	法兰型号 FLANGE NO.	胶管HOSE BORE		尺寸 DIMENSIONS			
			公称内径 DN	标号 DASH	A	H	D	L
1	87691-08-08	1/2"	13	08	41	46.5	31.7	7.75
2	87691-08-10	1/2"	16	10	53	51	31.7	7.75
3	87691-12-08	3/4"	13	08	41	50.5	41.3	8.76
4	87691-12-10	3/4"	16	10	53	55	41.3	8.76
5	87691-12-12	3/4"	19	12	61	60	41.3	8.76
6	87691-12-16	3/4"	25	16	75	70	41.3	8.76
7	87691-16-12	1"	19	12	61	63	47.6	9.53
8	87691-16-16	1"	25	16	75	73	47.6	9.53
9	87691-16-20	1"	32	20	91	85.5	47.6	9.53
10	87691-20-16	1.1/4"	25	16	75	77	54	10.3
11	87691-20-20	1.1/4"	32	20	91	89.5	54	10.3
12	87691-24-20	1.1/2"	32	20	91	94.5	63.5	12.6
13	87691-24-24	1.1/2"	38	24	106	105	63.5	12.6
14	87691-32-24	2"	38	24	106	113	79.4	12.6
15	87691-32-32	2"	51	32	132	136	79.4	12.6

注：表中代号用于编织软管，如用于缠绕软管代号改为87692-XX-XX。

Note:NO. in table match with braided hose.P/N 87692-XX match with spiral hose.





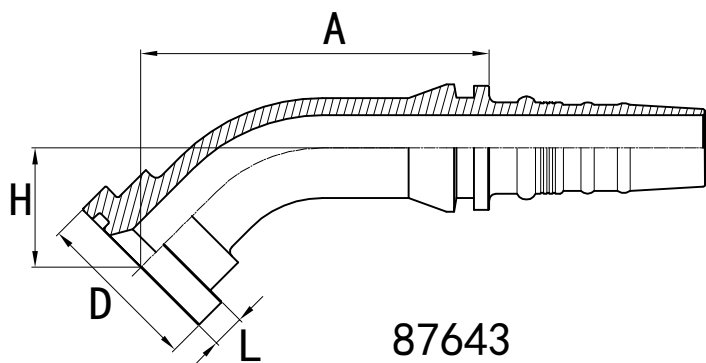
## 87613

SAE 法兰 6000 PSI

SAE FLANGE 6000 PSI

序号 SN	产品代号 PART NO.	法兰型号 FLANGE NO.	胶管HOSE BORE		尺寸 DIMENSIONS		
			公称内径 DN	标号 DASH	A	D	L
1	87613-16-16	1"	25	16	59.4	47.6	9.53
2	87613-20-20	1.1/4"	32	20	69.8	54	10.3
3	87613-24-20	1.1/2"	32	20	78.8	63.5	12.6
4	87613-24-24	1.1/2"	38	24	78.7	63.5	12.6
5	87613-32-24	2"	38	24	91.2	79.4	12.6
6	87613-32-32	2"	51	32	91	79.4	12.6

注：表中代号用于六层钢丝超高压胶管。  
NOTE: No. in table match with six spiral hose in super high pressure.



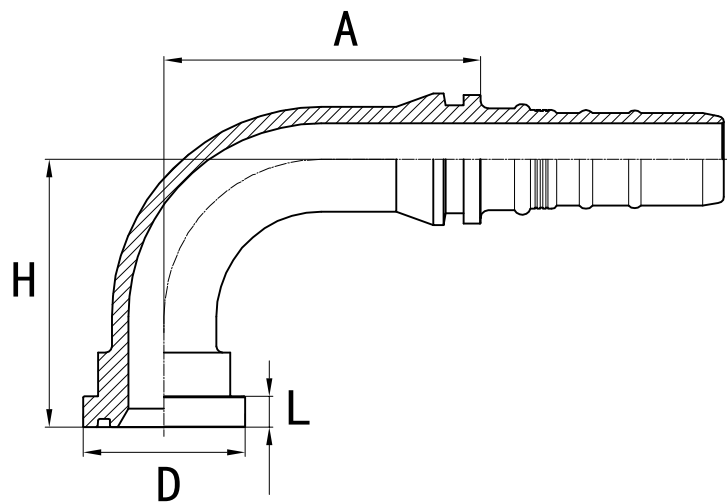
## 87643

45° SAE 法兰 6000 PSI

45° SAE FLANGE 6000 PSI

序号 SN	产品代号 PART NO.	法兰型号 FLANGE NO.	胶管HOSE BORE		尺寸 DIMENSIONS			
			公称内径 DN	标号 DASH	A	H	D	L
1	87643-16-16	1"	25	16	97	34.2	47.6	9.53
2	87643-20-20	1.1/4"	32	20	117	41.5	54	10.3
3	87643-24-20	1.1/2"	32	20	120	45.1	63.5	12.6
4	87643-24-24	1.1/2"	38	24	131	48.2	63.5	12.6
5	87643-32-24	2"	38	24	140	53.8	79.4	12.6
6	87643-32-32	2"	51	32	163	61.9	79.4	12.6

注：表中代号用于六层钢丝超高压胶管。  
NOTE: No. in table match with six spiral hose in super high pressure.



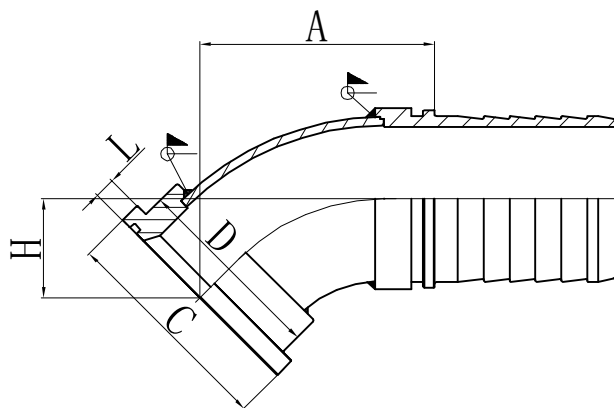
## 87693

90° SAE 法兰 6000 PSI

90° SAE FLANGE 6000 PSI

序号 SN	产品代号 PART NO.	法兰型号 FLANGE NO.	胶管HOSE BORE		尺寸 DIMENSIONS			
			公称内径 DN	标号 DASH	A	H	D	L
1	87693-16-16	1"	25	16	87.4	73	47.6	9.53
2	87693-20-20	1.1/4"	32	20	106	89.5	54	10.3
3	87693-24-20	1.1/2"	32	20	106	94.5	63.5	12.6
4	87693-24-24	1.1/2"	38	24	121	105	63.5	12.6
5	87693-32-24	2"	38	24	121	113	79.4	12.6
6	87693-32-32	2"	51	32	150	136	79.4	12.6

注：表中代号用于六层钢丝超高压胶管。  
NOTE: No. in table match with six spiral hose in super high pressure.

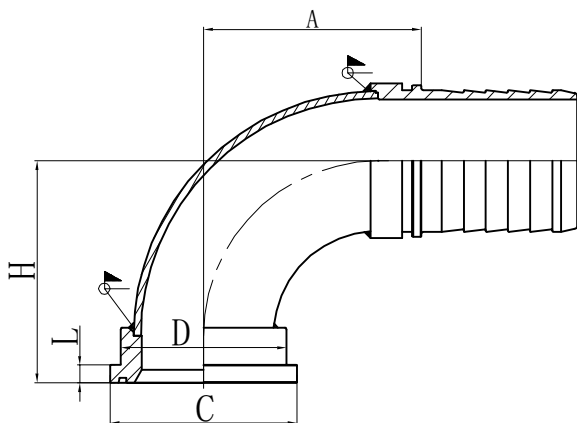


## P87341

45° SAE 法兰 3000 PSI

配套00210系列套筒

序号 SN	产品代号 PART NO.	法兰型号 FLANGE NO.	胶管HOSE BORE		尺寸 DIMENSIONS			
			公称内径 DN	标号 DASH	A	H	D	L
1	P87341-32-40	2"	64	40	100	48.5	71.4	9.53
2	P87341-40-40	2.1/2"	64	40	94	41	84	9.53
3	P87341-48-40	3"	64	40	95	43	102	9.53
4	P87341-48-48	3"	76	48	109	46	102	9.53
5	P87341-56-56	3.1/2"	90	56	129	51	114	11.3
6	P87341-64-64	4"	102	64	135	55	127	11.3

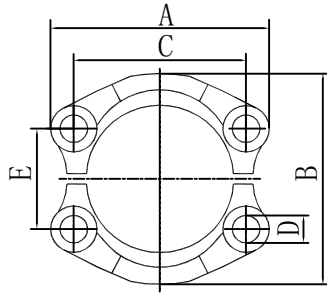


## P87391

90° SAE 法兰 3000 PSI

配套00210系列套筒

序号 SN	产品代号 PART NO.	法兰型号 FLANGE NO.	胶管HOSE BORE		尺寸 DIMENSIONS			
			公称内径 DN	标号 DASH	A	H	D	L
1	P87391-32-40	2"	64	40	92	105	71.4	9.53
2	P87391-40-40	2.1/2"	64	40	98	104	84	9.53
3	P87391-48-40	3"	64	40	98	106	102	9.53
4	P87391-48-48	3"	76	48	118	120	102	9.53
5	P87391-56-56	3.1/2"	90	56	144	140	114	11.3
6	P87391-64-64	4"	102	64	161	163	127	11.3

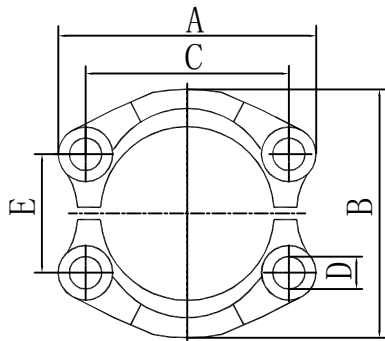


FL

SAE J518对开法兰夹 3000 PSI

SAE J518 SPLIT FLANGE CLAMPS 3000 PSI

序号 SN	产品代号 PART NO.	法兰型号 FLANGE SIZE	尺寸 DIMENSIONS					螺栓 BOLT	O形圈 O-RING
			A	B	C	D	E		
1	FL-08	1/2"	53.8	46.1	38.1	9	17.5	M8X25	18.64x3.53
2	FL-12	3/4"	65	52.4	47.6	11	22.2	M10X30	24.99x3.53
3	FL-16	1"	69.9	58.7	52.4	11	26.2	M10X30	32.92x3.53
4	FL-20	1.1/4"	79.2	73	58.7	11	30.2	M10X30	37.69x3.53
5	FL-24	1.1/2"	93.7	82.6	69.9	13.5	35.7	M12X35	47.22x3.53
6	FL-32	2"	101.6	96.8	77.8	13.5	42.9	M12X35	56.74x3.53
7	FL-40	2.1/4"	114	109	88.9	13.5	50.8	M12X40	69.44x3.53
8	FL-48	3"	135	131	106.38	17	61.93	M16X50	85.32x3.53



FS

SAE J518对开法兰夹 6000 PSI

SAE J518 SPLIT FLANGE CLAMPS 6000 PSI

序号 SN	产品代号 PART NO.	法兰型号 FLANGE SIZE	尺寸 DIMENSIONS					螺栓 BOLT	O形圈 O-RING	压力等级 Mpa
			A	B	C	D	E			
1	FS-08	1/2"	56.3	49.2	40.5	9	18.2	M8X30	18.64x3.53	42
2	FS-12	3/4"	71.4	61.8	50.8	11	23.8	M10X35	24.99x3.53	42
3	FS-16	1"	81	71.4	57.2	13	27.8	M12X45	32.92x3.53	42
4	FS-20	1.1/4"	95.3	79.2	66.7	15	31.8	M14X50	37.69x3.53	42
5	FS-24	1.1/2"	112.8	96.8	79.4	17	36.6	M16X55	47.22x3.53	42
6	FS-32	2"	133.4	116	96.8	21	44.4	M20X70	56.74x3.53	42