



FFC SERIES

REPLACEMENT CARTRIDGE COUPLERS FOR THE FASTER 4BD4FH/4BD4FI

AKJia's FFC Series is a replacement flat face cartridge coupler for the Faster 4BD4FH and 4BD4FI blocks. The FFC Series is designed for the quick changeover of hydraulic attachments for skid steer loaders, compact loaders, backhoe loaders and compact utility vehicles. The female coupler features an internal decompression solution that enables the coupler to always be depressurized when disconnected, whilst the male coupler has built-in connect under pressure functionality.

Series FFC // Carbon Steel

Material	Carbon Steel
Surface Finishing	Zinc-Nickel, Zinc-Plating
Standard Seal Material(s)	NBR (Buna-N®), PTFE, ²
Working Temperature	-25° C ... +100° C / -13° F ... +212° F
Valve Design	Flat Face
Connection	Push
Disconnection	Actuate Push Sleeve
Connect Under Pressure	not allowed
Application	Quick changeover of construction equipment attachments, Skid steer loaders, Track loaders, Excavators, Compact loaders, Utility vehicles
ISO Interchange	ISO 16028

² Alternative seal materials are available on request.

Features

- Flush, non-spill valving
- Internal design allows the female half to always be depressurized when disconnected
- Push to connect operation
- Global interchangeability with other ISO 16028 compliant couplings
- Standard sleeve lock guards against accidental disconnection
- Flat faces are easily wiped clean
- Flat face design prevents fluid loss during disconnection
- Male has built-in connect under pressure functionality
- 1/2" body size only
- Low profile coupler design minimizes side loading
- Low cost replacement couplers

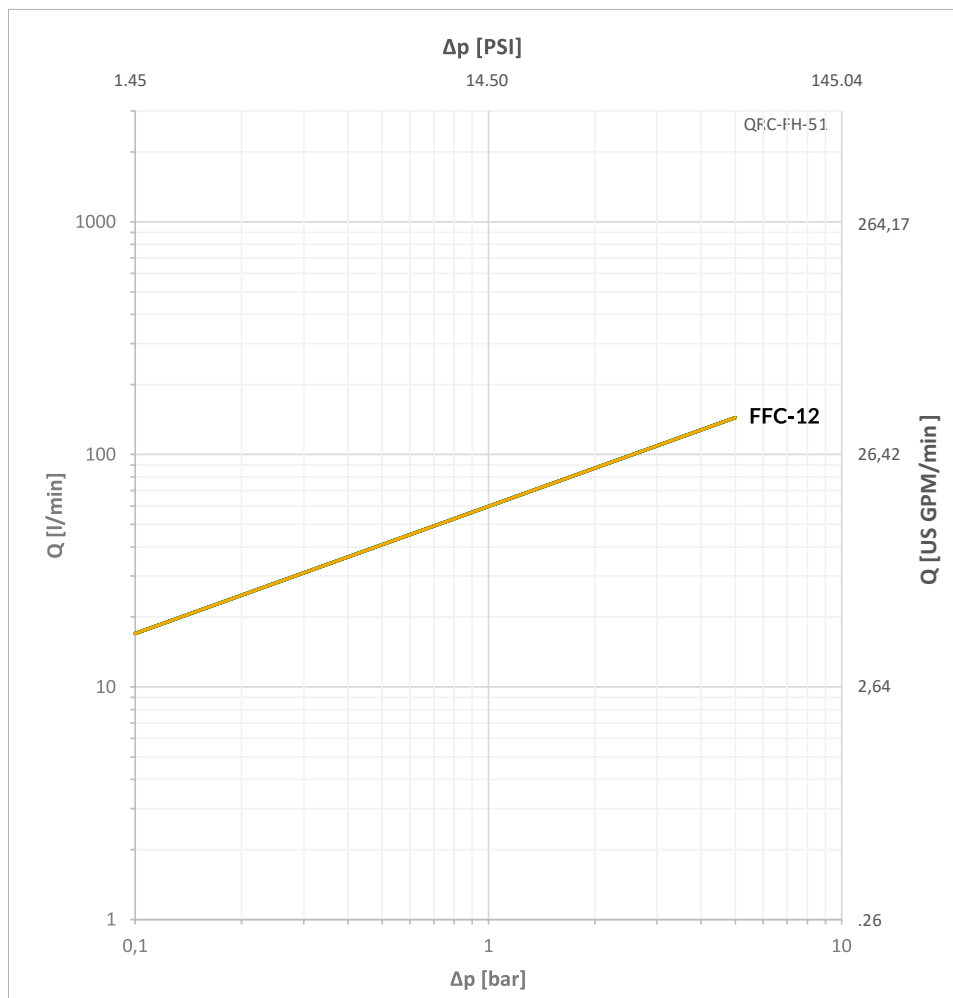
Applications

- Quick changeover of construction equipment attachments
- Skid steer loaders
- Track loaders
- Excavators
- Compact loaders
- Utility vehicles
- Jacking applications

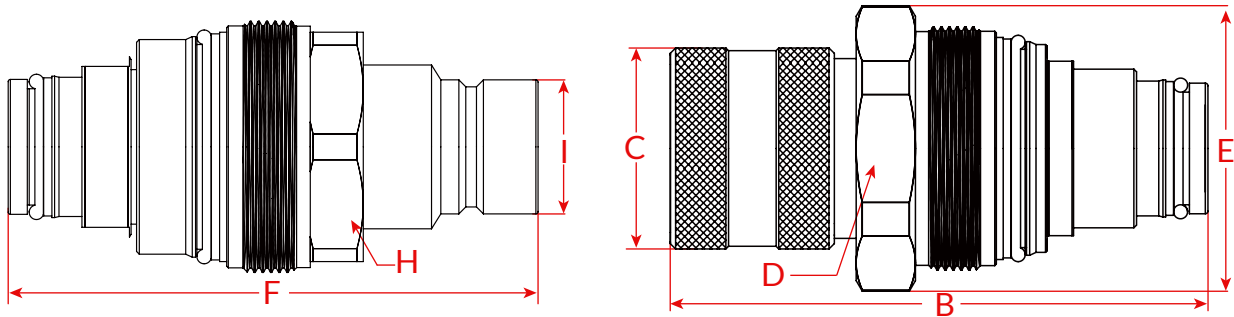
Technical Data

Series	DN Inch	DN Metric	Q _{max}		Working Pressure		bursting puresure coupled		female body		male tip		spillage
			l/min	US GPM	bar	psi	bar	psi	bar	psi	bar	psi	
FFC-12	1/2"	12,5	120	31.70	350	5076	1250	18125	1250	18125	1250	18125	0.02

Flow Characteristics



Dimensions



Series	Size	Thread	F Length	O.D	Hex	O.D	M Length	Hex	O.D	Weight (g)	
			B	C	D	E	F	H	I	Female	Male
FFC-12	1/2"	M46x1.5	101.8	38	50	52	48	22	16.1	181	96
FFC-12	1/2"	M48x1.5	110	38	50	52	61.5	24	19.7	256	156

Dimensions in mm

These quick couplers are usually used as replacement for Manifold block 4BD4FI and 4BD4FH from faster or some other manufacturers. They are widely used in bobcat equipment, and users can search with the OEM code, the M46x1.5 mm thread version, FFC-12 M M46x1.5 = 6679837 and FF-12 F M46x1.5 = 6680018, The 48x1.5 mm thread version, FFC-12 M M46x1.5 = 7246799 and FFC-12 F M48x1.5 = 7246802, for more information, please check the detail on our website.

Code Rules

FFC - 12 F M46x1.5

①
②
③
④

- ① Series - FFC
- ② Body Size, 12 = 1/2"
- ③ Part, F = Female Coupler, M = Male Nipple, Blank = Set(Female+Male)
- ④ Thread Type and Size, M46x1.5, M48x1.5, These couplers are replacements for 4BDFI and 4BDFH Manifold blocks, so currently only this two type of threads.

Dust Caps



Size	Female Body	Male Tip
1/2"	DC-FF-12 F	DC-FF-12 M

The FFC series also complies with the ISO 16028 standard, so the dust caps can be the same as the FF series. Because this series is only 1/2 size, it can be directly used with the corresponding DC-FF-12 F and DC-FF-12 M.