



## Nordic SERIES

### CEJN 525 interchange Connect under pressure Quick Coupling

"Nordic interchange" high flow safety couplings offer three important benefits; high flow, connection under pressure and a safety locking mechanism to prevent accidental disconnection. It is very common in the hydraulic systems of some sanitation vehicles, so we developed it for use by some customers.



## Series Nordic // Carbon Steel

Material	Carbon Steel
Surface Finishing	Zinc-Nickel, Zinc-Plating
Standard Seal Material(s)	NBR (Buna-N®), PTFE, <sup>2</sup>
Working Temperature	-25° C ... +100° C / -13° F ... +212° F
Valve Design	Poppet Valve
Connection	Push
Disconnection	Actuate Push Sleeve
Connect Under Pressure	Male Tip/Female Body
Application	Hammer circuits, High pressure pulse applications, Construction plant, mobile equipment, general industrial
ISO Interchange	ISO 16028

<sup>2</sup> Alternative seal materials are available on request.

## Features

- Double sealing feature - no spray at connection
- High durability
- Extra security locking ring
- Optional pressure eliminator on both coupling and nipple
- "Nordic Range", is a durable steel coupling with good flow capacity.
- manually operated locking ring provides extra security against involuntary disconnection.
- An extra option for Series 525 couplings and nipples is a pressure eliminator for evacuating residual pressure during connection.
- Compatibility: TEMA T series, CEJN 525 Series

## Applications

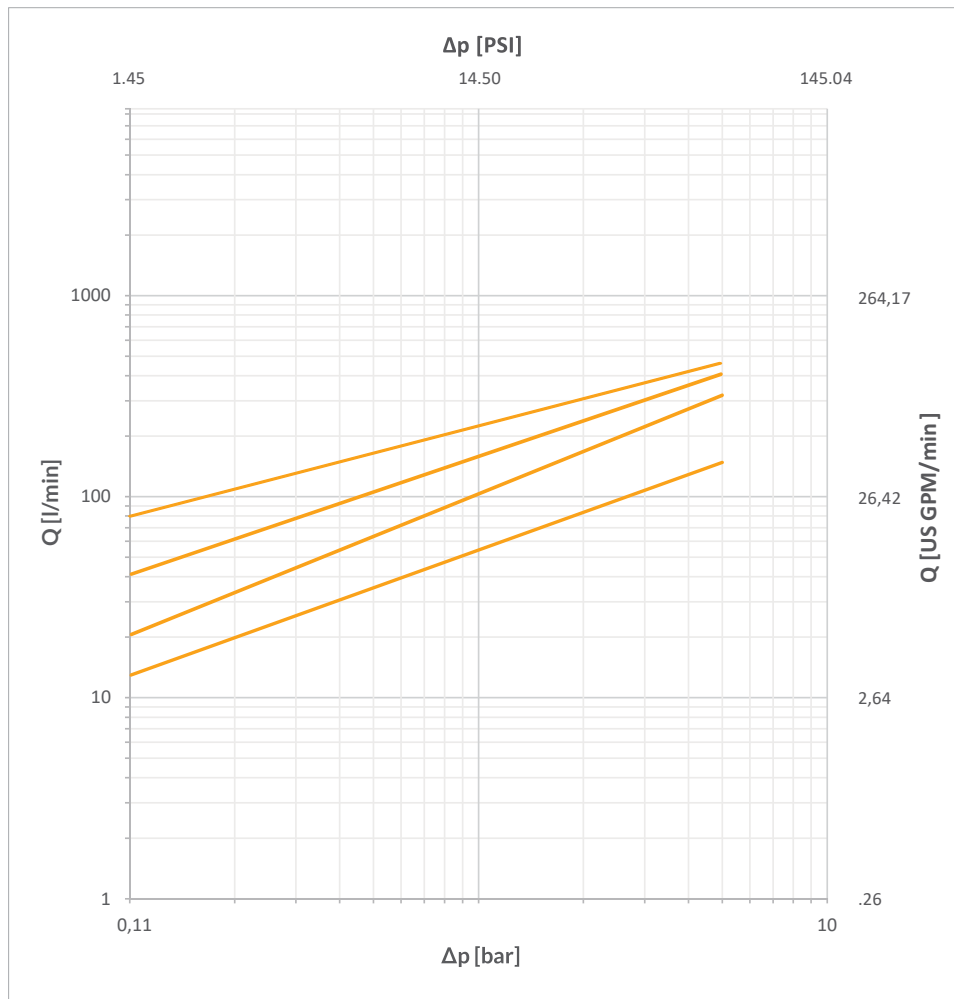
- Tractors
- Trucks
- Wheel loaders
- Military vehicles
- Presses



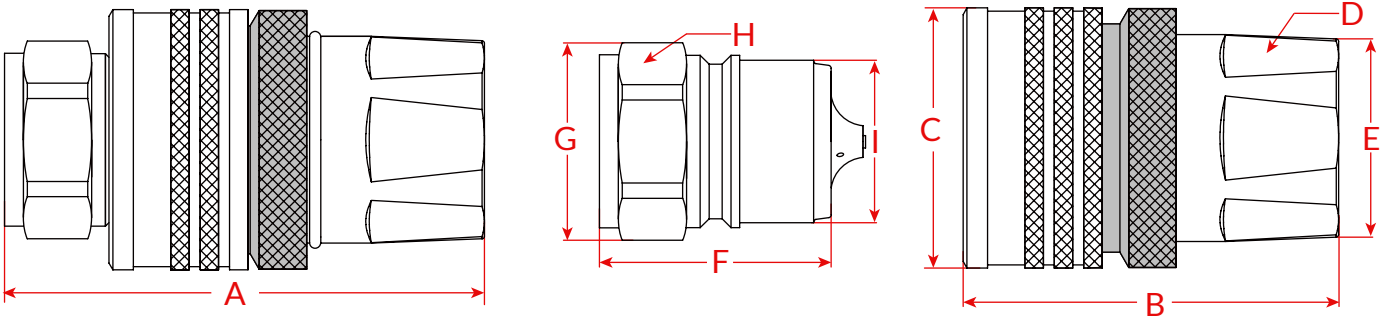
## Technical Data

Series	DN Inch	DN Metric	Q <sub>max</sub>		Working Pressure		bursting puresure coupled		female body		male tip		spillage ml
			l/min	US GPM	bar	psi	bar	psi	bar	psi	bar	psi	
Nordic-10	3/8"	10	90	23.77	370	5366	1300	18854	1400	20305	1100	15954	2.5
Nordic-12	1/2"	12,5	160	42.27	350	5076	1200	17404	1300	18854	1100	15954	6
Nordic-19	3/4"	19	300	79.25	300	4351	1100	15954	1100	15954	900	13053	20
Nordic-25	1"	25	500	132.08	300	4351	1100	15954	1000	14503	900	13053	35

## Flow Characteristics



# Dimensions



Series	Size	Thread	Overall Length A	F Length			Hex		M Length		O.D			Weight (g)	
				B	C	D	E	F	G	H	I	Female	Male		
Nordic-10	3/8"	3/8"	85	66	35	24	27	42.5	24	22	20	250	70		
Nordic-12	1/2"	1/2"	98	74	40	30	33	49	30	27	24.8	360	117		
Nordic-19	3/4"	3/4"	100	79.3	52	38	41	50	39	36	32.7	615	205		
Nordic-25	1"	1"	114	92.5	62.2	46	50	57	49.5	46	40.9	1014	349		

Dimensions in mm

The dimension is based on BSPP thread, and other thread please see the detail product page on our website.

The Nordic Series has a 1/4" size quick coupling, but the design is completely different, so it did not listed here.

# Code Rules

Nordic - 10 F G3/8

①
②
③
④

- ① Series - Nordic
- ② Body Size, 10 = 3/8", 12 = 1/2"...25 = 1"
- ③ Part, F = Female Coupler, M = Male Nipple, Blank = Set(Female+Male)
- ④ Thread Type and Size, G3/8", NPT 1/2" etc.

