



# CVV SERIES

## General Purpose Screw Connect Poppet Couplers Made to ISO 14541 Standard

CVV Series Screw to Connect Quick Couplings are engineered to meet the rigorous ISO 14541 standard, providing a robust and high-performance solution for a wide range of hydraulic applications. These couplings are designed for demanding environments where secure, leak-free connections are essential. Compatible with Faster CVV series, the CVV Series couplings ensure reliable interchangeability and exceptional durability.



## Series CVV // Carbon Steel

Material	Carbon Steel
Surface Finishing	Zinc-Nickel, Zinc-Plating
Standard Seal Material(s)	NBR (Buna-N®), PTFE, <sup>2</sup>
Working Temperature	-25° C ... +100° C / -13° F ... +212° F
Valve Design	Poppet Valve
Connection	Screw
Disconnection	Screw
Connect Under Pressure	Can be connected with up to 50 bar residual pressure in hydraulic circuit
Application	Construction Machinery
ISO Interchange	ISO 14541

<sup>2</sup> Alternative seal materials are available on request.

## Features

- Carbon Steel with trivalent plating support high working pressure
- Screw connect design support high working pressure applications
- can be connected with up to 50 bar residual pressure in the hydraulic circuit.
- Double shutoff Poppet Valve design free of leakage when disconnect
- ISO interchange acc. to ISO 14541

## Applications

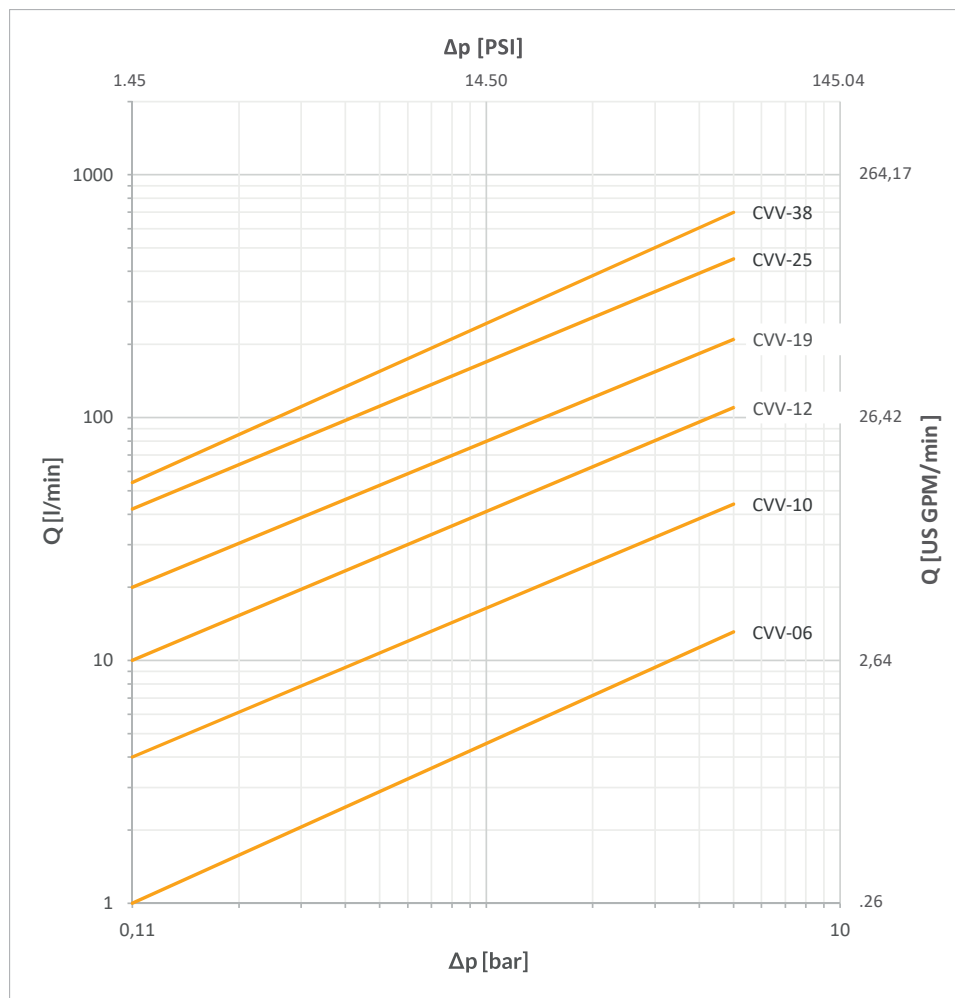
- Hammer Circuits
- High Pressure Pulse Applications
- Construction plant
- Mobile equipment
- Demolition equipment
- Agricultural industries



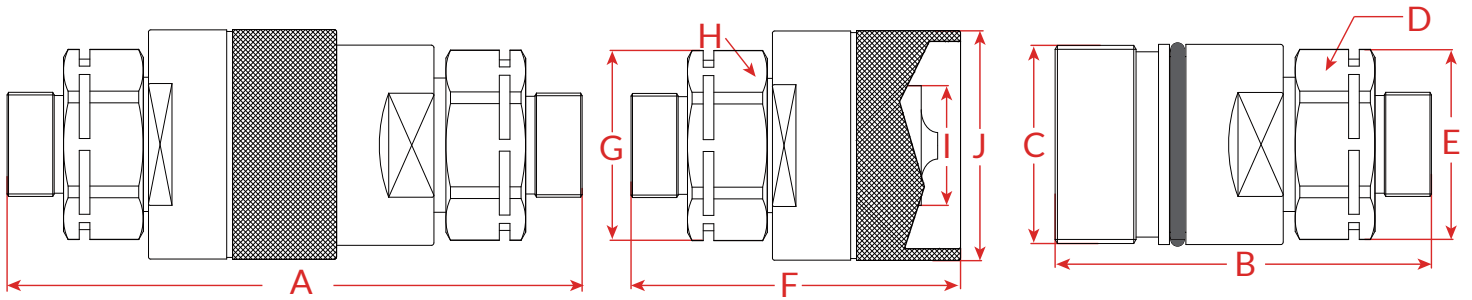
## Technical Data

Series	DN Inch	DN Metric	Q <sub>max</sub>		Working Pressure		bursting puresure coupled		female body		male tip		spillage ml
			l/min	US GPM	bar	psi	bar	psi	bar	psi	bar	psi	
CVV-06	1/4"	6,3	20	5.28	450	6527	1800	26107	1750	25382	1500	21756	0.8
CVV-10	3/8"	10	35	9.25	450	6527	1600	23206	1600	23206	1100	15954	1.3
CVV-12	1/2"	12,5	80	21.13	400	5802	1400	20305	1500	21756	1100	15924	3.1
CVV-19	3/4"	19	120	31.70	400	5802	1500	21756	1500	21756	1100	15954	5.6
CVV-25	1"	25	160	42.27	300	4351	1180	17114	1450	21030	1050	15229	12.3
CVV-38	1 1/2"	38	220	58.12	350	5076	1180	17114	1400	20305	800	11603	52.3

## Flow Characteristics



## Dimensions



Series	Size	Thread	Overall Length	F. Length	Thread	Hex	O.D	M. Length	O.D	Hex	O.D	O.D	Weight (g)	
			A	B	C	D	E	F	G	H	I	J	Female	Male
CVV-06	1/4"	1/4"	92	59	M24x2	19	22	58	22	19	12.9	35	126	177
CVV-10	3/8"	3/8"	98.3	64	M28x2	22	24.5	61.2	24.5	22	17.5	34	166	171
CVV-12	1/2"	1/2"	103.5	67	M36x2	30	33	64.5	33	30	22	42	316	271
CVV-20	3/4"	3/4"	128.5	83.5	M42x2	36	39	76.5	39	36	27.9	47.5	497	440
CVV-25	1"	1"	152.5	100	M48x3	41	44	87.5	44	41	35	55	837	696
CVV-31	1 1/4"	1 1/4"	186.5	119.2	M70x3	55	58	114.5	58	55	53.9	85	1876	2264

Dimensions in mm

The dimensions based on the npt thread, and the other thread some dimensions would be a little different, see the detail product page on our website.

## Code Rules

CVV - 10 F NPT3/8

①
②
③
④

- ① Series - CVV
- ② Body Size, 06 = 1/4", 10 = 3/8", 12 = 1/2"...25 = 1"
- ③ Part, F = Female Coupler, M = Male Nipple, Blank = Set(Female+Male)
- ④ Thread Type and Size, NPT1/2", G1/2" etc. and the ISO8434-1 24° cone connectors thread would be a grade, code like 10L M16x1.5,

