



IBS2 SERIES

Stainless Steel SUS304 ISO B Quick Couplings Made to ISO 7241 Series B Standard

IBS2 Series is a special series we designed for the SUS304 Stainless Steel ISO B Quick Coupling with BSPT Thread for the chemical applications. IBS2 Series stainless steel ISO B couplers incorporate all the benefits of the carbon steel IB Series couplers, while being perfectly suited for corrosive fluids and environments.



Series IBS2 // Stainless Steel

Material	Carbon Steel SUS304
Surface Finishing	-
Standard Seal Material(s)	FKM ²
Working Temperature	-25° C ... +200° C / -13° F ... +392° F
Valve Design	Poppet Valve
Connection	Push and actuate Push Sleeve
Disconnection	Actuate Push Sleeve
Connect Under Pressure	not allowed
Application	Corrosive fluids and environments, Marine, Oil and gas, Chemical, Pharmaceutical, Nuclear, Food industry
ISO Interchange	ISO 7241-1, Series B

² Alternative seal materials are available on request.

Features

- Accepts ISO 7241-1, Series B compliant nipples
- Poppet valves along with a metal to metal valve stop maintains valve alignment and prevents flow checking
- SUS 304 Stainless Steel
- Default FKM Seal Material, and other Seal Material options
- BSPT Thread

Applications

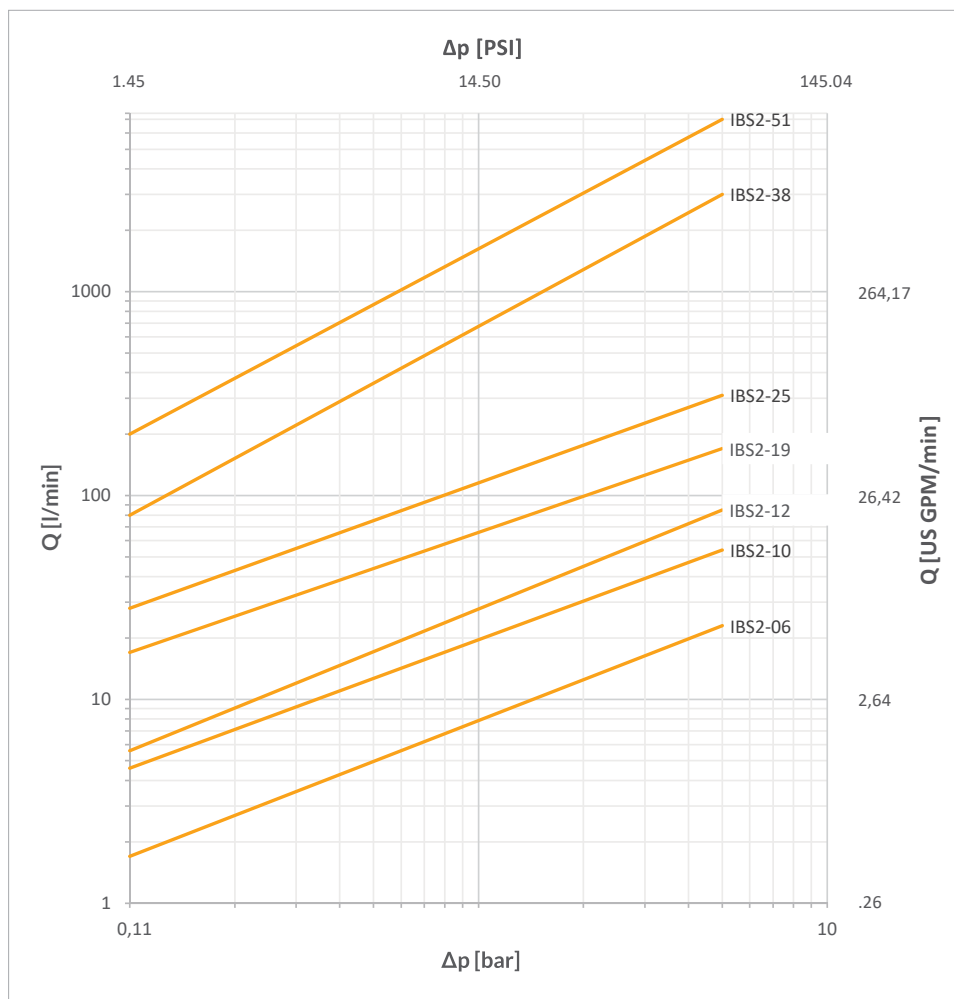
- Corrosive fluids and environments
- Chemical
- food industries



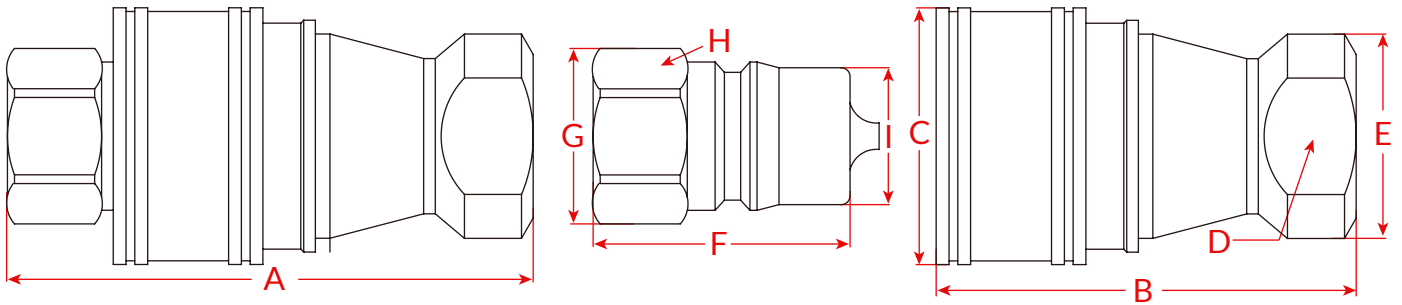
Technical Data

Series	DN Inch	DN Metric	Q _{max}		Working Pressure		bursting pressure coupled		female body		male tip		spillage ml
			l/min	US GPM	bar	psi	bar	psi	bar	psi	bar	psi	
IBS2-05	1/8"	5	9	2.3	300	4350	900	13050	900	13050	1000	14500	0.5
IBS2-06	1/4"	6,3	24	6.34	350	5076	1600	23206	1500	21756	1700	24656	1.0
IBS2-10	3/8"	10	46	12.15	300	4351	2100	30458	1100	15954	1100	15954	2.4
IBS2-12	1/2"	12,5	90	23.77	300	4351	1500	21756	1400	20305	1500	21756	3.9
IBS2-19	3/4"	19	220	58.12	220	3191	1000	14504	900	13053	1000	14504	11.0
IBS2-25	1"	25	260	68.68	200	2901	850	12328	650	9427	600	8702	19.0
IBS2-38	1 1/2"	38	757	199.98	80	1160	250	3626	250	3626	250	3626	95.0
IBS2-51	2"	51	1000	264.17	60	870	250	2901	200	2901	200	2901	170.0

Flow Characteristics



Dimensions



Series	Size	Thread	Overall Length	F Length	O.D	Hex	O.D	M Length	O.D	Hex	O.D	Weight (g)	
			A	B	C	D	E	F	G	H	I	Female	Male
IB-05	1/8"	1/8"	64.1	50.7	23	17	19	32	16	14	10.9	89	20
IB-06	1/4"	1/4"	76.5	60	28	19	21	38	22	19	14.2	130	40
IB-10	3/8"	3/8"	85.5	67.2	35	22	24	42.5	24	22	19.1	197	60
IB-12	1/2"	1/2"	96.5	75.7	44	27	30	48	30	27	23.55	346	107
IB-19	3/4"	3/4"	114.5	91.5	52	34	37	57	37	34	31.45	560	210
IB-25	1"	1"	132	105.8	60	41	44	65.5	44	41	37.77	908	342
IB-38	1 1/2"	1 1/2"	201.5	126.5	78.6	65	68	127	68	65	44.45	2166	1382
IB-51	2"	2"	221	142	105	90	94	142	94	90	63.2	4970	3290

Dimensions in mm

Dimensions and weights are based on BSPT internal threads, and for other threads please see the detail product page on our website.

Code Rules

IBS2 - 12 F ZG1/2

①
②
③
④

- ① Series - IBS2
- ② Body Size, 05 = 1/8", 06 = 1/4", 10 - 3/8", 12 = 1/2"...51=2"
- ③ Part, F = Female Coupler, M = Male Nipple, Blank = Set(Female+Male)
- ④ Thread Type and Size, IBS2 Series the default thread is BSPT thread, widely used in chemical applications. other threads need to be customized.

