

## WSC SERIES

### Parker/Snap-Tite 78 Interchange Brass Wing nut screw connect quick coupling

WSC Series Brass Wing Style Screw Connect Couplers are engineered for high performance and durability in demanding hydraulic applications. Featuring a brass body with a steel nut, these couplings are designed for easy handling and reliable connections, even in high-pressure environments. The wing style allows for quick and convenient screw connections, making them ideal for use in trailers, wet line kits, and the oil and gas industry. The WSC Series ensures robust, leak-free connections, providing efficiency and reliability for a wide range of hydraulic systems.



## Series WSC // Carbon Steel + Brass

Material	Brass and Carbon Steel
<b>Surface Finishing</b>	Carbon Steel: Zinc-Plating and Thick-Film-Passivation (Chrome III)
<b>Standard Seal Material(s)</b>	NBR (Buna-N®) <sup>2</sup>
<b>Working Temperature</b>	-25° C ... +100° C / -13° F ... +212° F
<b>Valve Design</b>	Flat Valve
<b>Connection</b>	Screw
<b>Disconnection</b>	Screw
<b>Connect Under Pressure</b>	not allowed
<b>Application</b>	hydraulic tippers Wet line kit
<b>ISO Interchange</b>	-

<sup>2</sup> Alternative seal materials are available on request.

## Features

- Brass body makes them the idea choice for water based applications
- fit Wet-line kits
- Wing Nut Carbon Steel with trivalent plating, easy hand operation
- can be connected with 50 bar residual pressure in the hydraulic circuit

## Applications

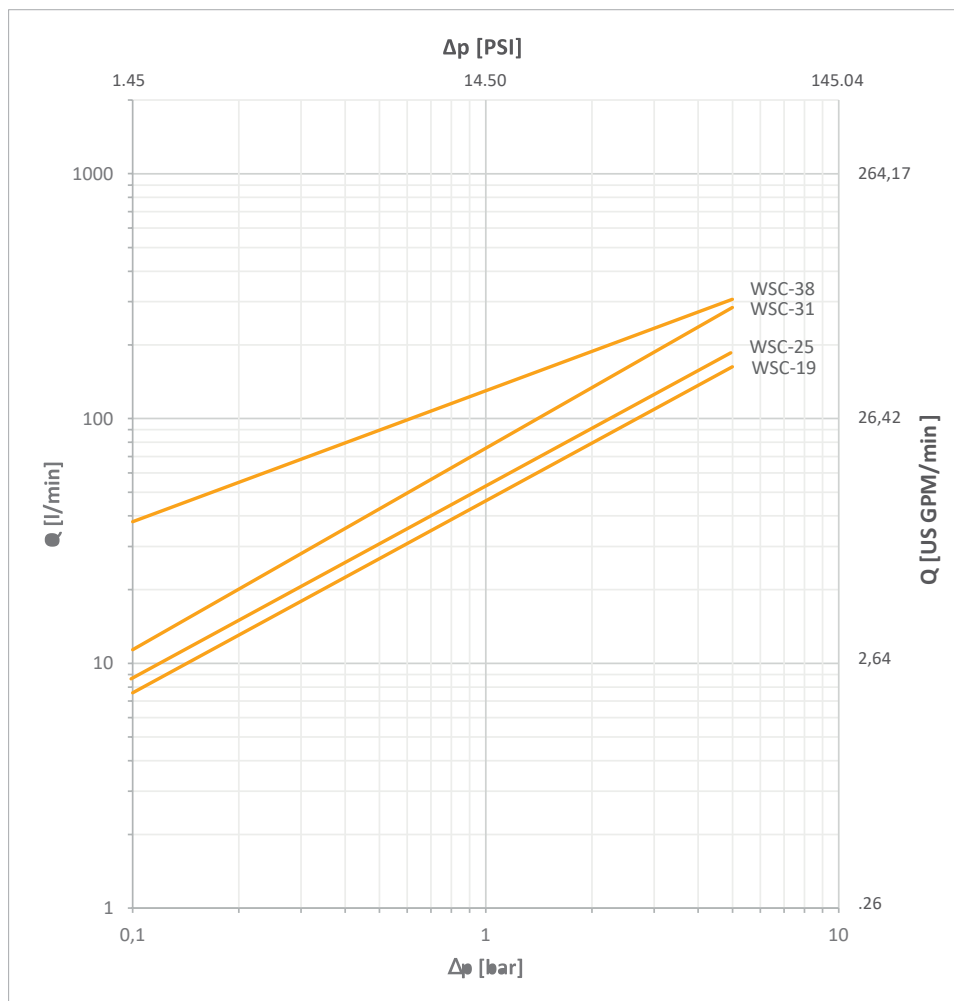
- Trailers
- Wet line kits
- Oil and gas



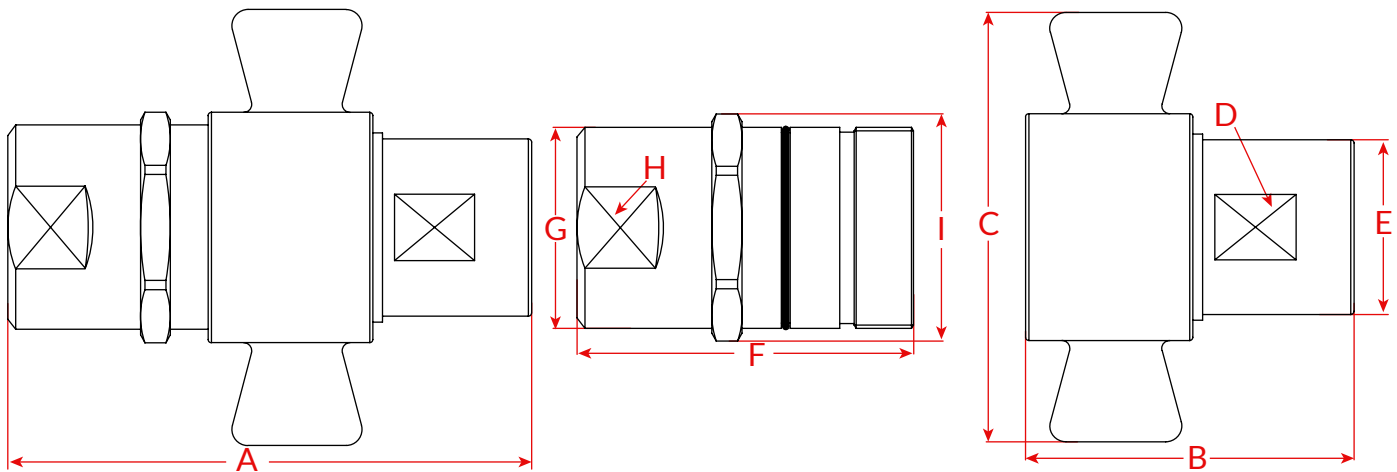
## Technical Data

Series	DN Inch	DN Metric	Q <sub>max</sub>		Working Pressure		bursting puresure coupled		female body		male tip		spillage ml
			l/min	US GPM	bar	psi	bar	psi	bar	psi	bar	psi	
WSC-19	3/4"	19	220	58.12	210	3046	1160	16824	460	6672	580	8412	0.15
WSC-25	1"	25	260	68.68	210	3046	880	12763	370	5366	720	10443	0.4
WSC-31	1 1/4"	31.5	400	105.67	190	2756	520	7542	430	6237	570	8267	0.65
WSC-38	1 1/2"	38	600	158.50	170	2466	500	7542	430	6237	350	5076	0.85

## Flow Characteristics



## Dimensions



Series	Size	Thread	Overall Length	F. Length	Width	SW	O.D	M. Length	O.D	Hex	O.D	Weight (g)	
			A	B	C	D	E	F	G	H	I	Female	Male
WSC-19	3/4"	3/4"	133.5	80.3	103.9	29	31.7	79.1	37.5	33.3	44	430	635
WSC-25	1"	1"	154.3	95.3	110.6	36.3	39.8	89.5	44.2	39.6	51.7	633	1040
WSC-31	1 1/4"	1 1/4"	163.6	99	134	45	48	93.5	53	47.6	60.2	765	1255
WSC-38	1 1/2"	1 1/2"	178	101.4	134.8	51	55	104.4	62.7	57	71.6	1160	1550

Dimensions in mm

The dimensions based on the BSPP Thread, other threads the dimensions would be different, please contact us for more information.

## Code Rules

WSC - 19 F G3/4

①
②
③
④

- ① Series - WSC
- ② Body Size, 19 = 3/4", 25 = 1", 31=1 1/4", 38 = 1 1/2"
- ③ Part, F = Female Coupler, M = Male Nipple, Blank = Set(Female+Male)
- ④ Thread Type and Size, BSPP- G 3/4, G1, NPT 3/4

